

Table of Content

Application Block Diagram
File: Application Block Diagram.kicad_sch

Power Tree
File: Power Tree.kicad_sch

ECK20-6Y28C
File: ECK20-6Y28C.kicad_sch

POWER
File: POWER.kicad_sch

BOOT
File: BOOT.kicad_sch

ETH_10_100M
File: ETH_10_100M.kicad_sch

LCD
File: LCD.kicad_sch

TF_CARD
File: TF_CARD.kicad_sch

USB_HOST
File: USB_HOST.kicad_sch

USB_OTG
File: USB_OTG.kicad_sch

DEBUG
File: DEBUG.kicad_sch

AUDIO
File: AUDIO.kicad_sch

EX_INTERFACE
File: EX_INTERFACE.kicad_sch

30021

P2024-EC017

Revision History

V1.0-2024-12-18-LJQ
1. 初始版本。



<https://www.ebyte.com>

Chengdu Ebyte Electronic Technology Co.,Ltd

Sheet: /
File: 30021_V1.0.kicad_sch

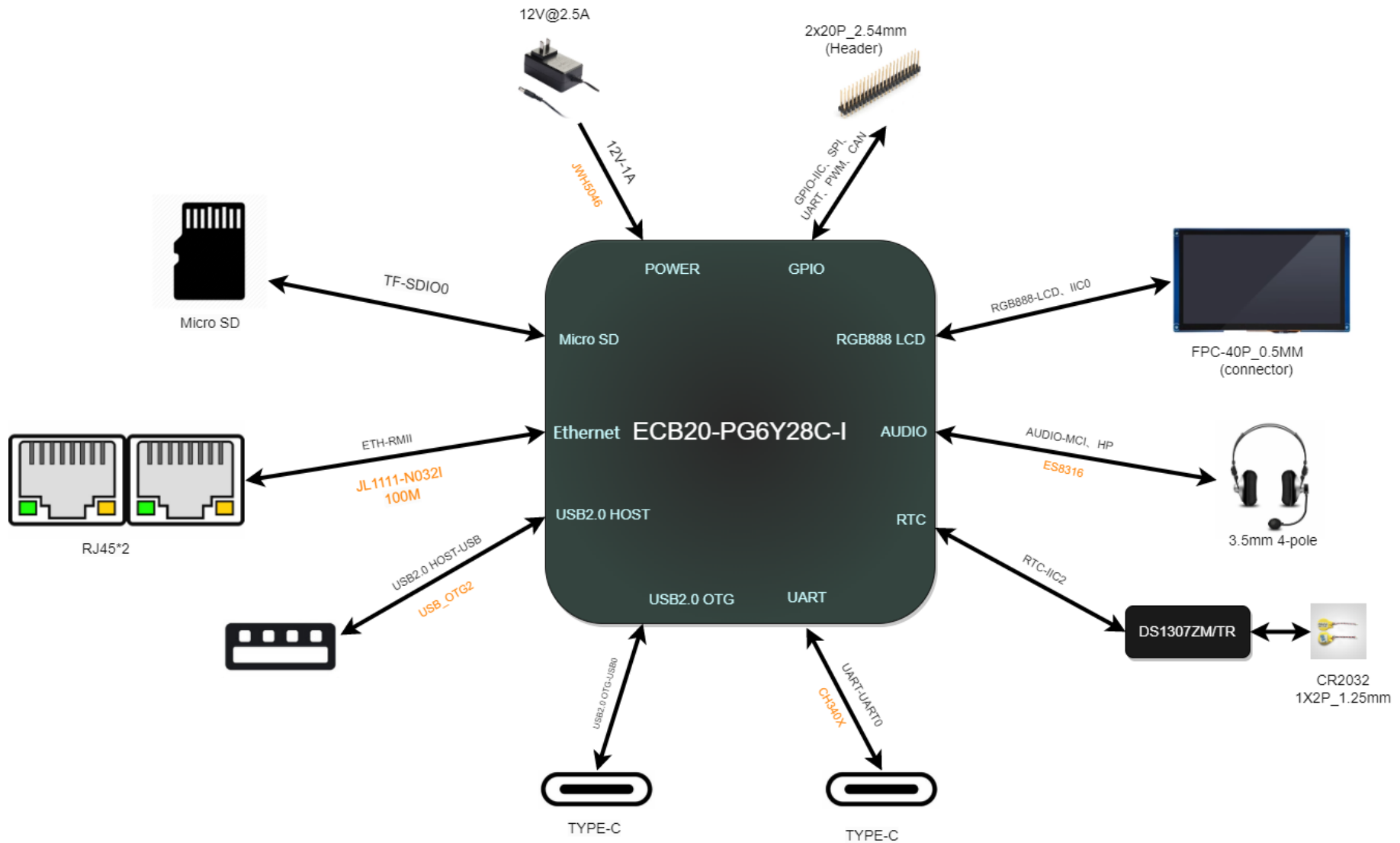
Title:

Size: A4
KiCad E.D.A. 8.0.1

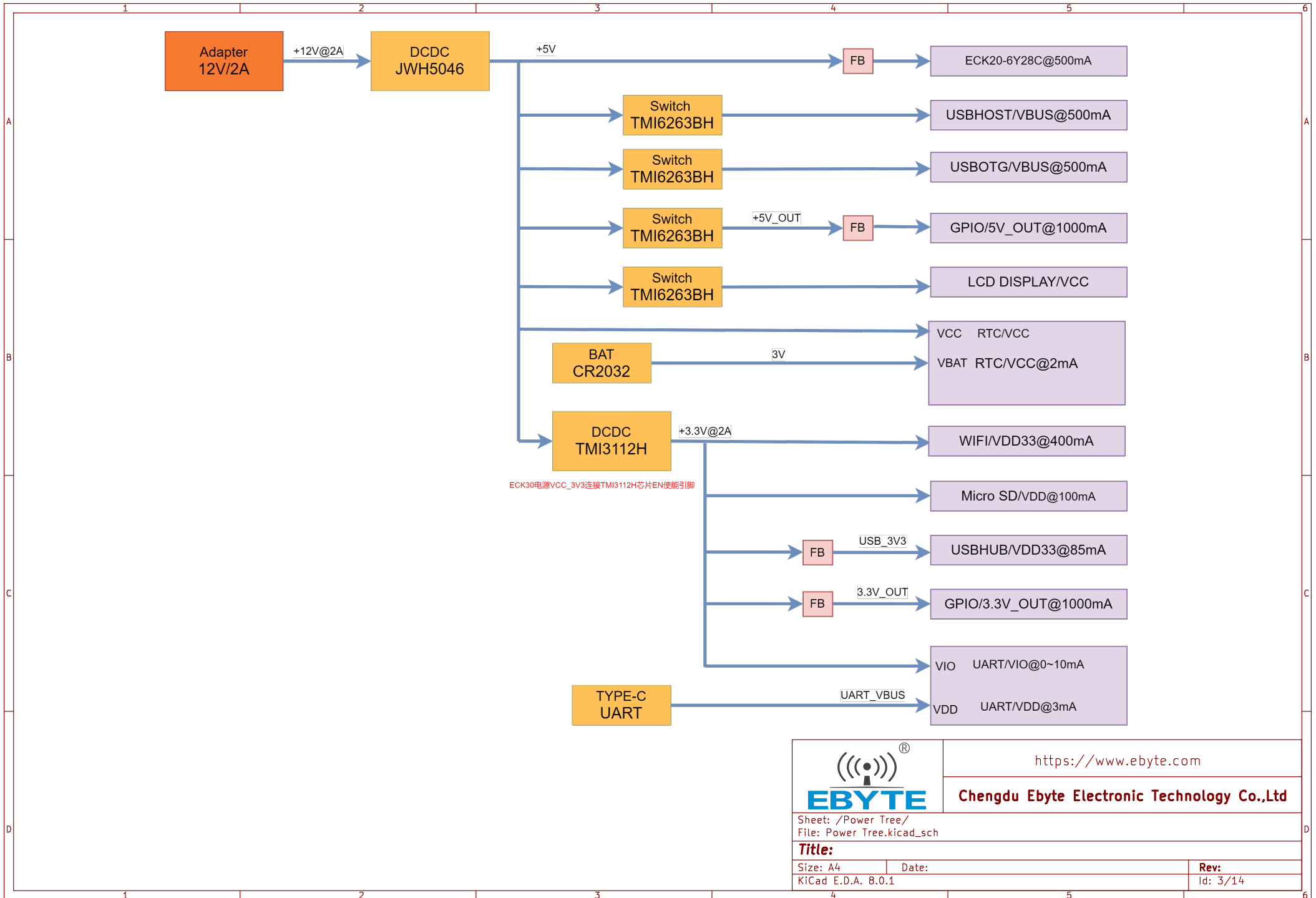
Date:

Rev:

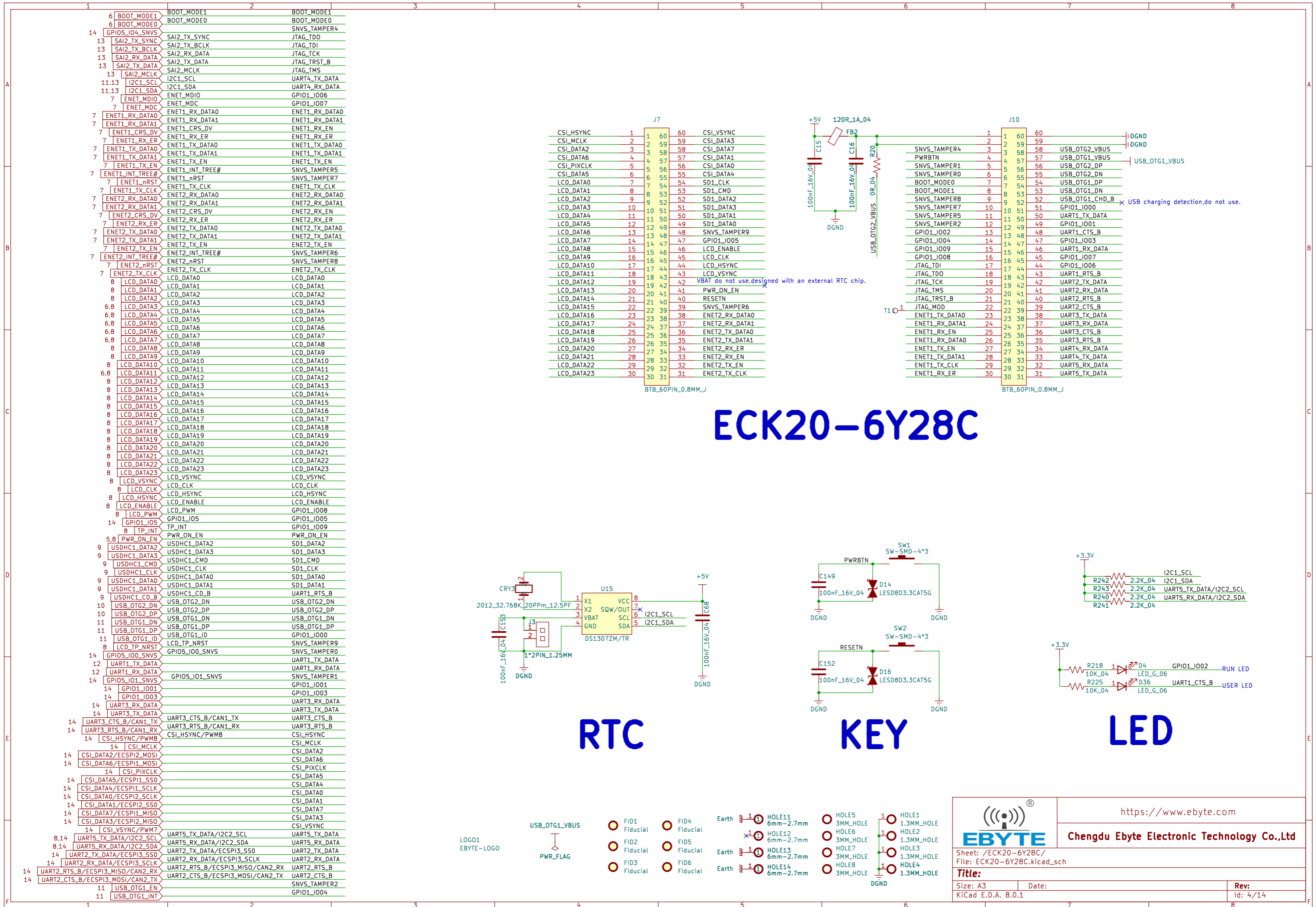
Id: 1/14



	https://www.ebyte.com	
	Chengdu Ebyte Electronic Technology Co.,Ltd	
Sheet: /Application Block Diagram/ File: Application Block Diagram.kicad_sch		
Title:		
Size: A4	Date:	Rev:
KiCad E.D.A. 8.0.1		Id: 2/14



	https://www.ebyte.com	
	Chengdu Ebyte Electronic Technology Co.,Ltd	
Sheet: /Power Tree/ File: Power Tree.kicad_sch		
Title:		
Size: A4	Date:	Rev:
KiCad E.D.A. 8.0.1		Id: 3/14



J7

CSI_HSYNC	1	60	CSI_VSYNC
CSI_MCLK	2	59	CSI_DATA3
CSI_DATA2	3	58	CSI_DATA7
CSI_DATA6	4	57	CSI_DATA1
CSI_PIXCLK	5	56	CSI_DATA0
CSI_DATA5	6	55	CSI_DATA4
LCD_DATA0	7	54	SD1_CLK
LCD_DATA1	8	53	SD1_CMD
LCD_DATA2	9	52	SD1_DATA2
LCD_DATA3	10	51	SD1_DATA3
LCD_DATA4	11	50	SD1_DATA1
LCD_DATA5	12	49	SD1_DATA0
LCD_DATA6	13	48	SNVS_TAMPER9
LCD_DATA7	14	47	GPIO1_I005
LCD_DATA8	15	46	LCD_ENABLE
LCD_DATA9	16	45	LCD_CLK
LCD_DATA10	17	44	LCD_HSYNC
LCD_DATA11	18	43	LCD_VSYNC
LCD_DATA12	19	42	VBAT do not use,designed with an external RTC chip.
LCD_DATA13	20	41	PWR_ON_EN
LCD_DATA14	21	40	RESETN
LCD_DATA15	22	39	SNVS_TAMPER6
LCD_DATA16	23	38	ENET2_RX_DATA0
LCD_DATA17	24	37	ENET2_RX_DATA1
LCD_DATA18	25	36	ENET2_TX_DATA0
LCD_DATA19	26	35	ENET2_TX_DATA1
LCD_DATA20	27	34	ENET2_RX_ER
LCD_DATA21	28	33	ENET2_RX_EN
LCD_DATA22	29	32	ENET2_TX_EN
LCD_DATA23	30	31	ENET2_TX_CLK

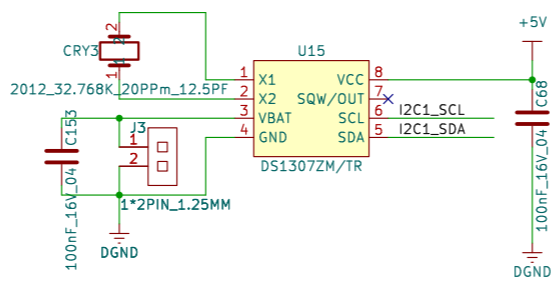
BTB_60PIN_0.8MM_J

J10

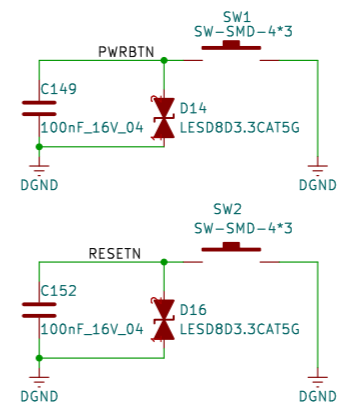
SNVS_TAMPER4	1	60	IDGND
PWRBTN	2	59	IDGND
SNVS_TAMPER1	3	58	USB_OTG2_VBUS
SNVS_TAMPER0	4	57	USB_OTG1_VBUS
BOOT_MODE0	5	56	USB_OTG2_DP
SNVS_TAMPER8	6	55	USB_OTG2_DN
SNVS_TAMPER7	7	54	USB_OTG1_DP
SNVS_TAMPER5	8	53	USB_OTG1_DN
SNVS_TAMPER2	9	52	USB_OTG1_CHD_B
GPIO1_I002	10	51	GPIO1_I000
GPIO1_I004	11	50	UART1_TX_DATA
GPIO1_I009	12	49	GPIO1_I001
GPIO1_I008	13	48	UART1_CTS_B
GPIO1_I007	14	47	GPIO1_I003
GPIO1_I006	15	46	UART1_RX_DATA
GPIO1_I005	16	45	GPIO1_I007
JTAG_TDI	17	44	GPIO1_I006
JTAG_TDO	18	43	UART1_RTS_B
JTAG_TCK	19	42	UART2_TX_DATA
JTAG_TMS	20	41	UART2_RX_DATA
JTAG_TRST_B	21	40	UART2_RTS_B
JTAG_MOD	22	39	UART2_CTS_B
ENET1_TX_DATA0	23	38	UART3_TX_DATA
ENET1_RX_DATA1	24	37	UART3_RX_DATA
ENET1_RX_EN	25	36	UART3_CTS_B
ENET1_RX_DATA0	26	35	UART3_RTS_B
ENET1_TX_EN	27	34	UART4_RX_DATA
ENET1_TX_DATA1	28	33	UART4_TX_DATA
ENET1_TX_CLK	29	32	UART5_RX_DATA
ENET1_RX_ER	30	31	UART5_TX_DATA

BTB_60PIN_0.8MM_J

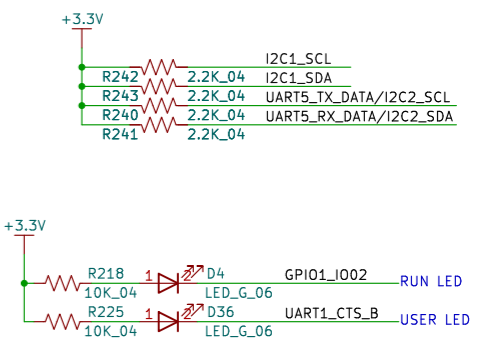
ECK20-6Y28C



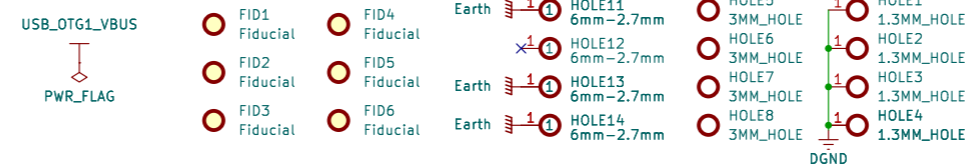
RTC



KEY



LED





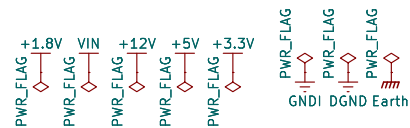
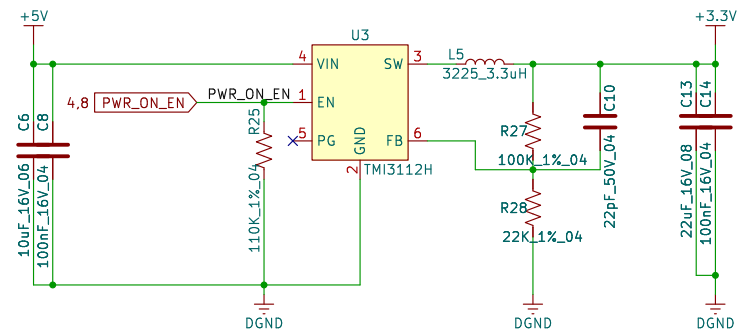
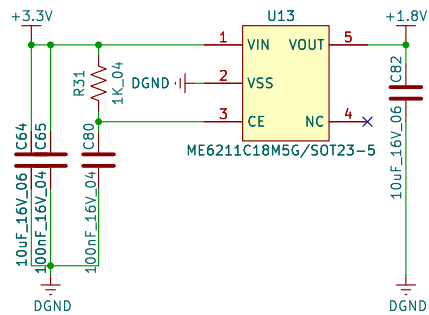
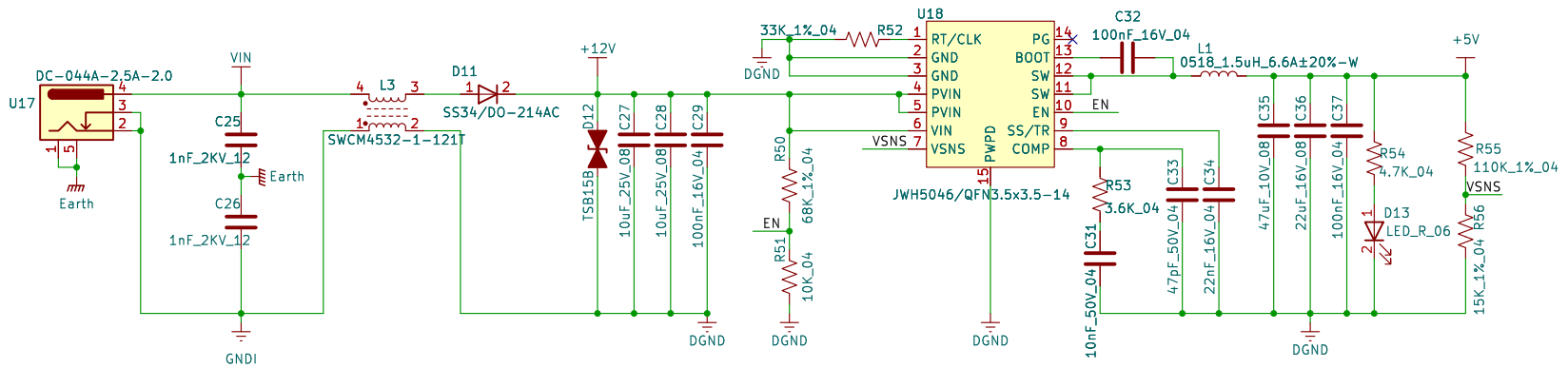
<https://www.ebyte.com>

Chengdu Ebyte Electronic Technology Co.,Ltd

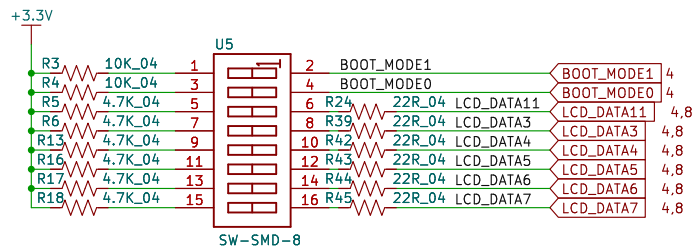
Sheet: /ECK20-6Y28C/
File: ECK20-6Y28C.kicad_sch

Title:	Size: A3	Date:	Rev:
	KiCad E.D.A. 8.0.1		Id: 4/14

POWER



 EBYTE	https://www.ebyte.com	
	Chengdu Ebyte Electronic Technology Co.,Ltd	
Sheet: /POWER/ File: POWER.kicad_sch		
Title:		
Size: A4	Date:	Rev:
KiCad E.D.A. 8.0.1		Id: 5/14



BOOT

SW								BOOT DEVICE
D1	D2	D3	D4	D5	D6	D7	D8	
OFF	ON	OFF	OFF	OFF	OFF	OFF	OFF	USB
ON	OFF	OFF	OFF	OFF	OFF	ON	OFF	MicroSD
ON	OFF	ON	OFF	OFF	ON	ON	OFF	EMMC
ON	OFF	OFF	OFF	ON	OFF	OFF	ON	NAND

	https://www.ebyte.com	
	Chengdu Ebyte Electronic Technology Co.,Ltd	
Sheet: /BOOT/ File: BOOT.kicad_sch		
Title:		
Size: A4	Date:	Rev:
KiCad E.D.A. 8.0.1		Id: 6/14

ETH_10_100M

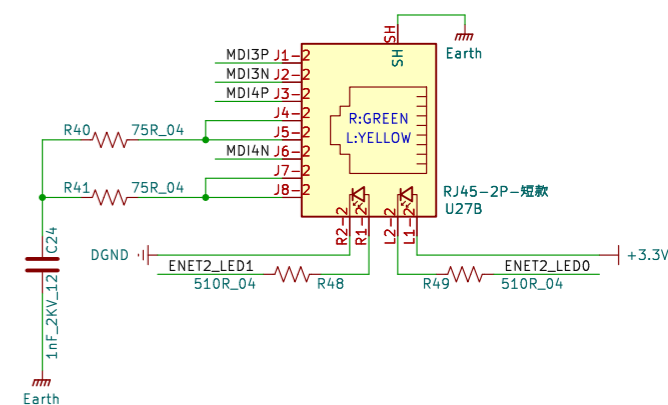
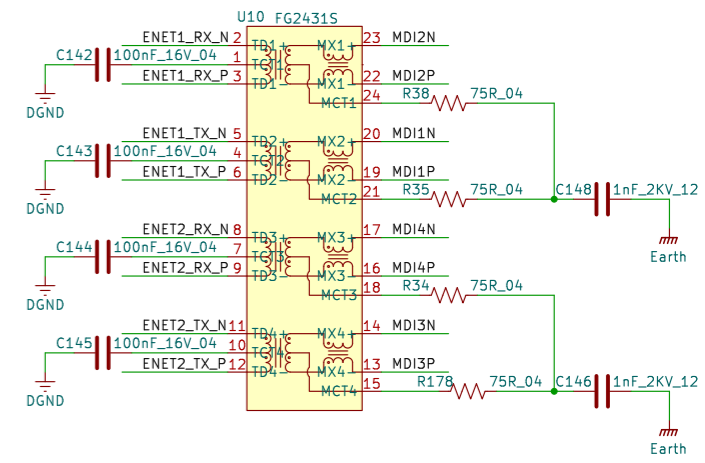
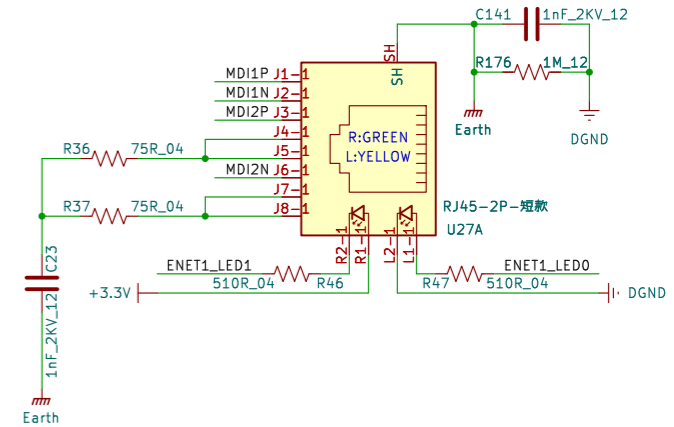
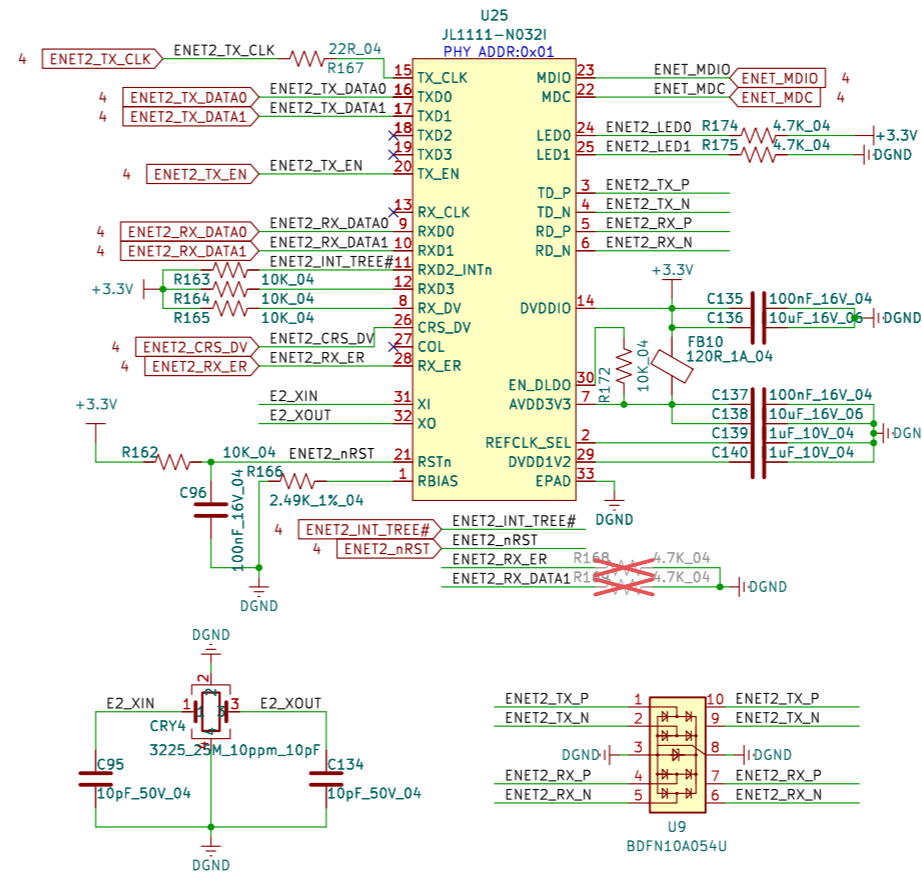
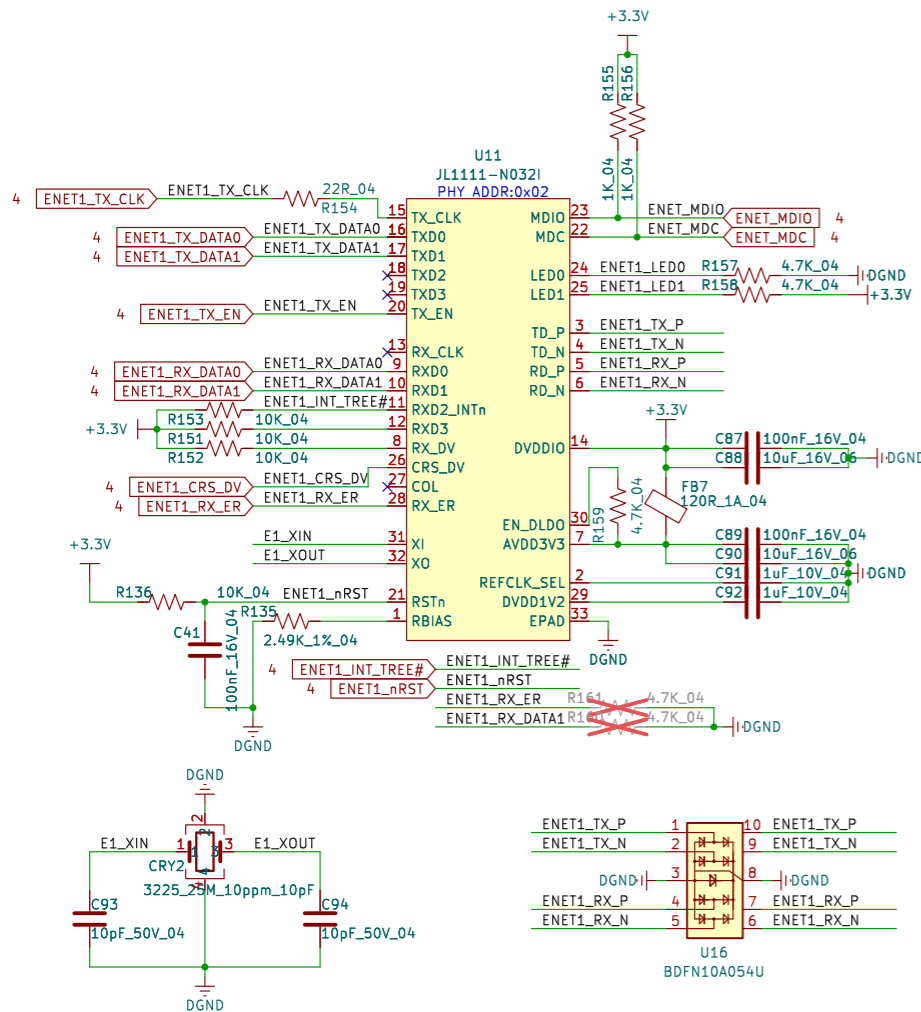
Strap Options

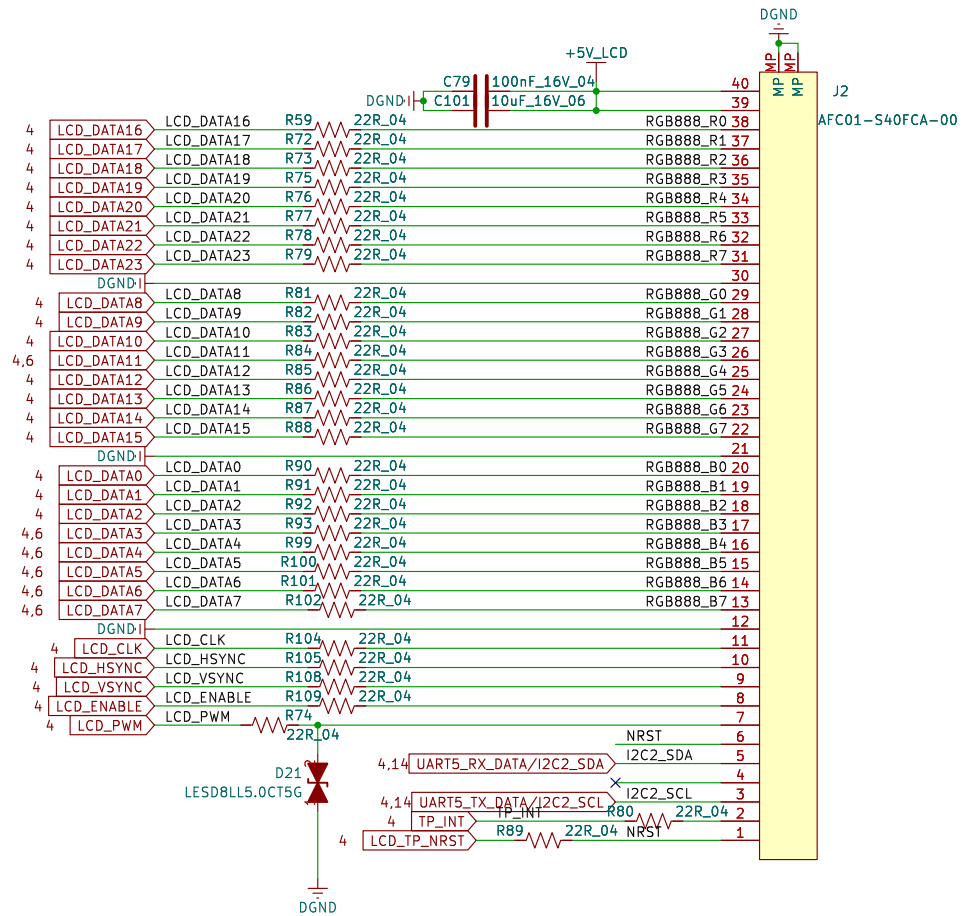
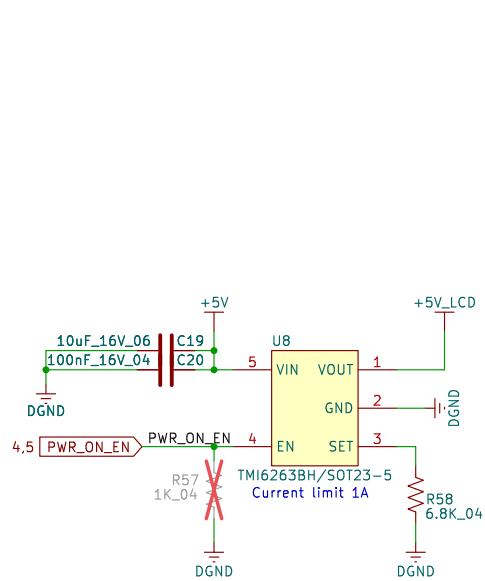
PIN NAME	PIN NO.	I/O	DESCRIPTION
RXDV	8	O, LI, PD	0: MII, 1: RMI mode
RXD1	10	O, LI, PD	0: LED (LED Driver), 1: WOL
LED0	24	O, LI, PD	PHY address will be set to 00000 to 00011
LED1	25	O, LI, PD	
RXD3	12	O, LI, PD	0: RMI TXCLK output, 1: RMI TXCLK input
RX_ER	28	O, LI, PD	0: UTP Mode, 1: Fiber Mode
EN_DLDO	30	I, PU	0: Pulled-down to Ground will use external 1.2V power supply, internal DLDO will be disabled. 1: Pulled-up to AVDD3V3 or floating will enable internal 1.2V LDO for digital
REFCLK_SEL	2	I, PU	0: 50MHz, 1: 25MHz (Pull up inside the chip)




<https://www.ebyte.com>
Chengdu Ebyte Electronic Technology Co.,Ltd

Sheet: /ETH_10_100M/
 File: ETH_10_100M.kicad_sch
Title:
 Size: A3 Date: Rev:
 KiCad E.D.A. 8.0.1 Id: 7/14

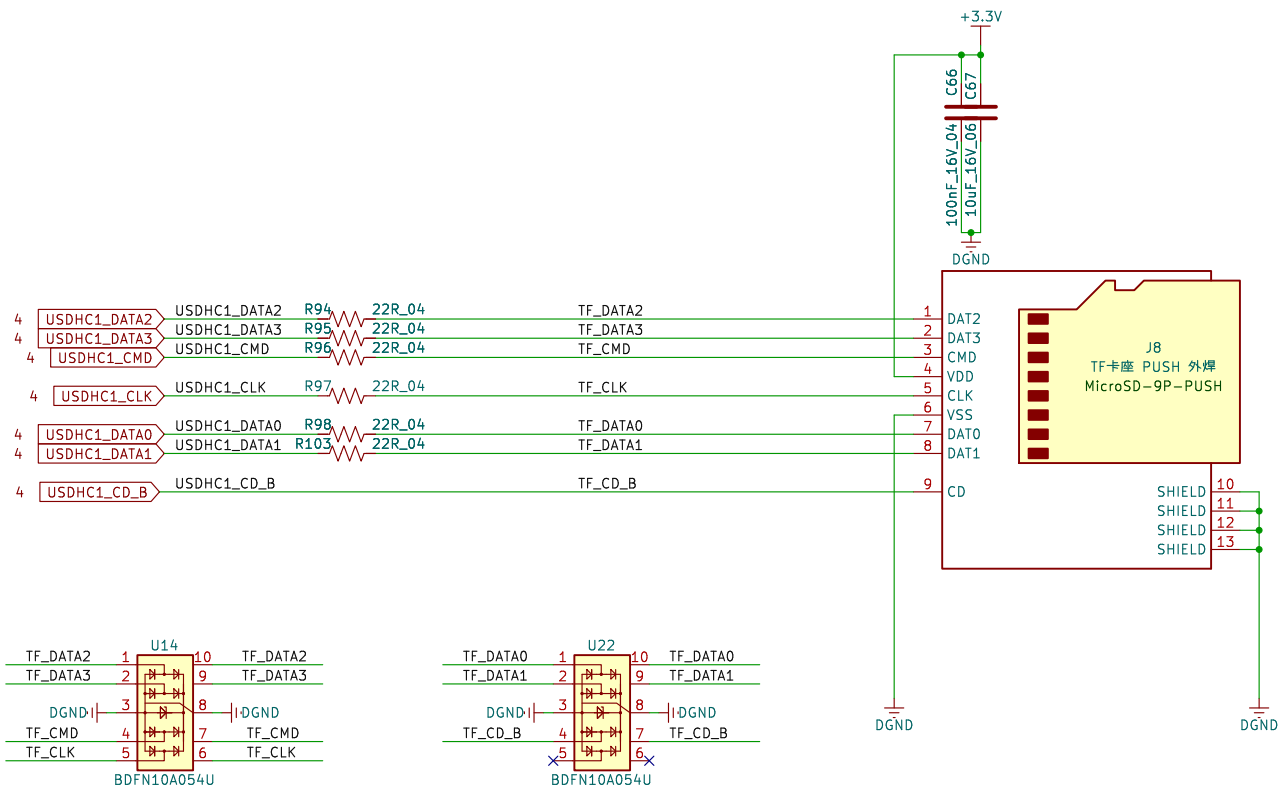




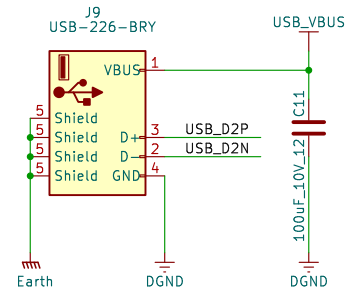
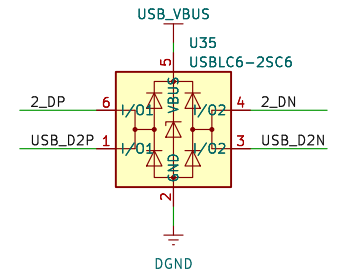
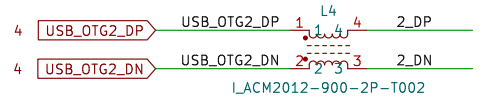
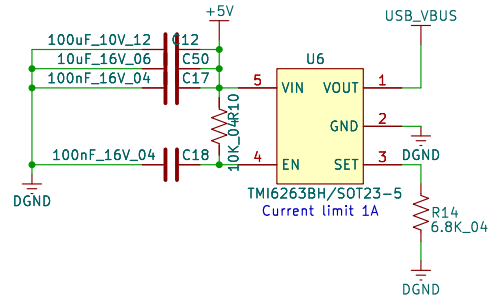
LCD

 EBYTE		https://www.ebyte.com	
Sheet: /LCD/ File: LCD.kicad_sch		Chengdu Ebyte Electronic Technology Co.,Ltd	
Title:		Rev:	
Size: A4 KiCad E.D.A. 8.0.1	Date:	Id: 8/14	

TF_CARD

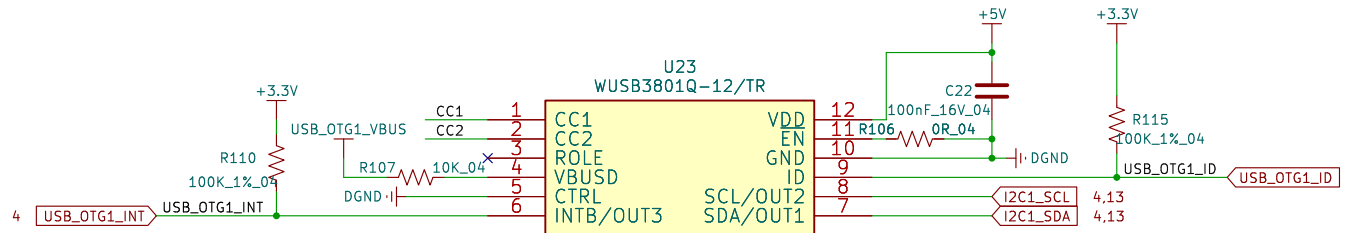
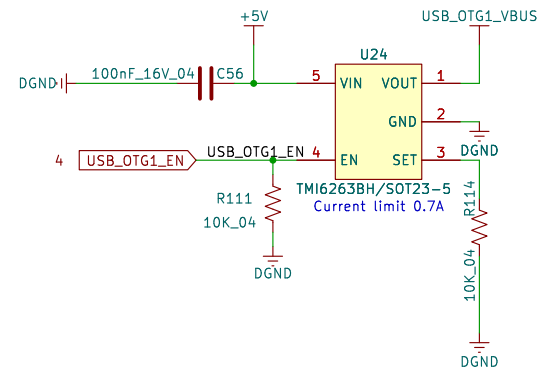
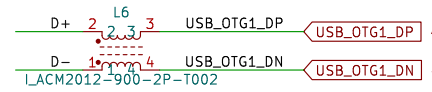
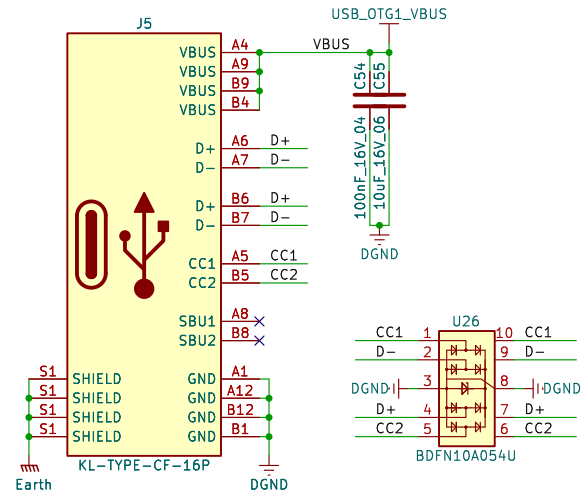


 EByte	https://www.ebyte.com	
	Chengdu Ebyte Electronic Technology Co.,Ltd	
Sheet: /TF_CARD/ File: TF_CARD.kicad_sch		
Title:		
Size: A4	Date:	Rev:
KiCad E.D.A. 8.0.1		Id: 9/14



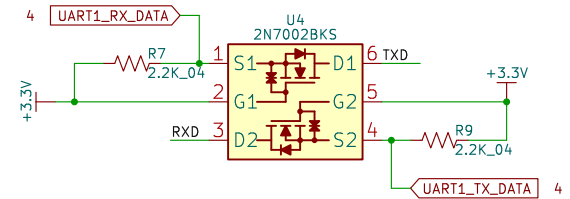
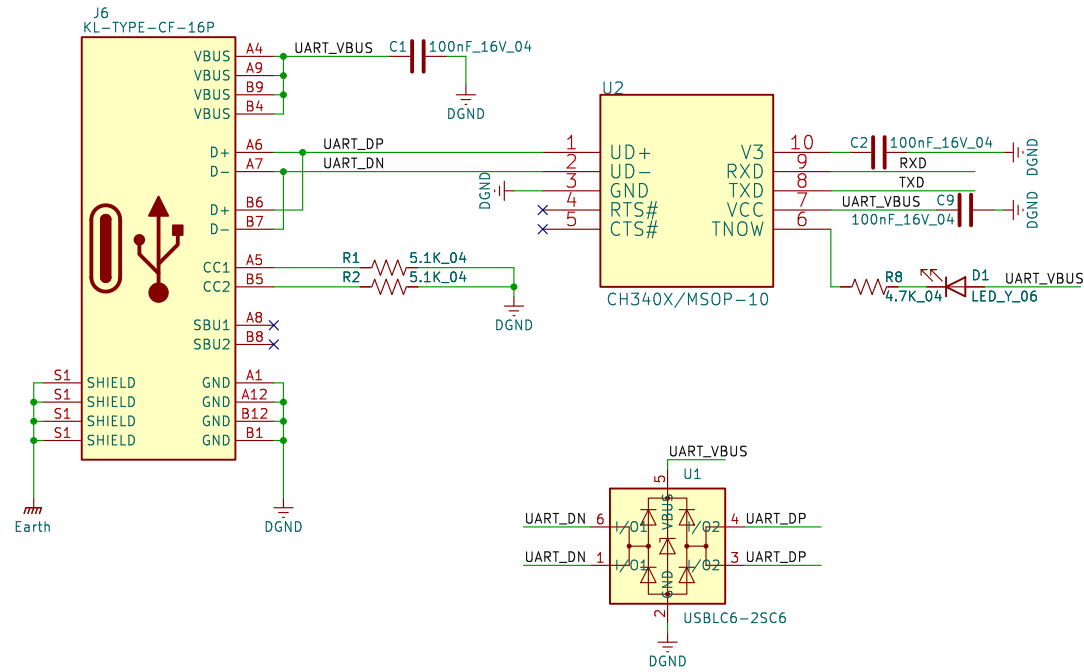
USB_HOST

	https://www.ebyte.com	
	Chengdu Ebyte Electronic Technology Co.,Ltd	
Sheet: /USB_HOST/ File: USB_HOST.kicad_sch		
Title:		
Size: A4	Date:	Rev:
KiCad E.D.A. 8.0.1		Id: 10/14



USB_OTG

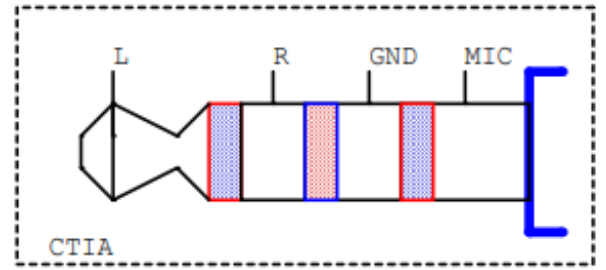
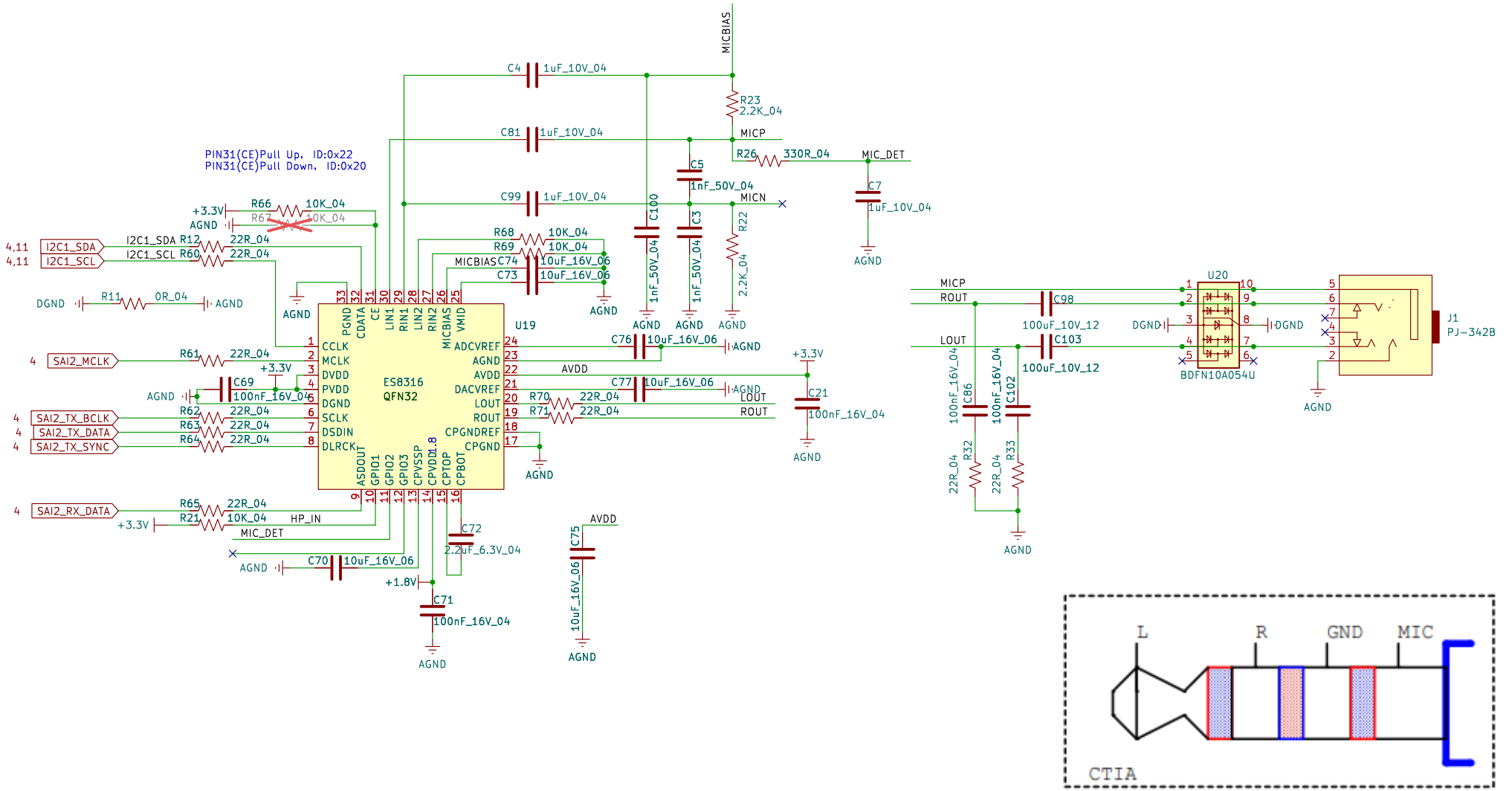
 EBYTE	https://www.ebyte.com	
	Chengdu Ebyte Electronic Technology Co.,Ltd	
Sheet: /USB_OTG/ File: USB_OTG.kicad_sch		
Title:		
Size: A4	Date:	Rev:
KiCad E.D.A. 8.0.1		Id: 11/14



DEBUG_UART

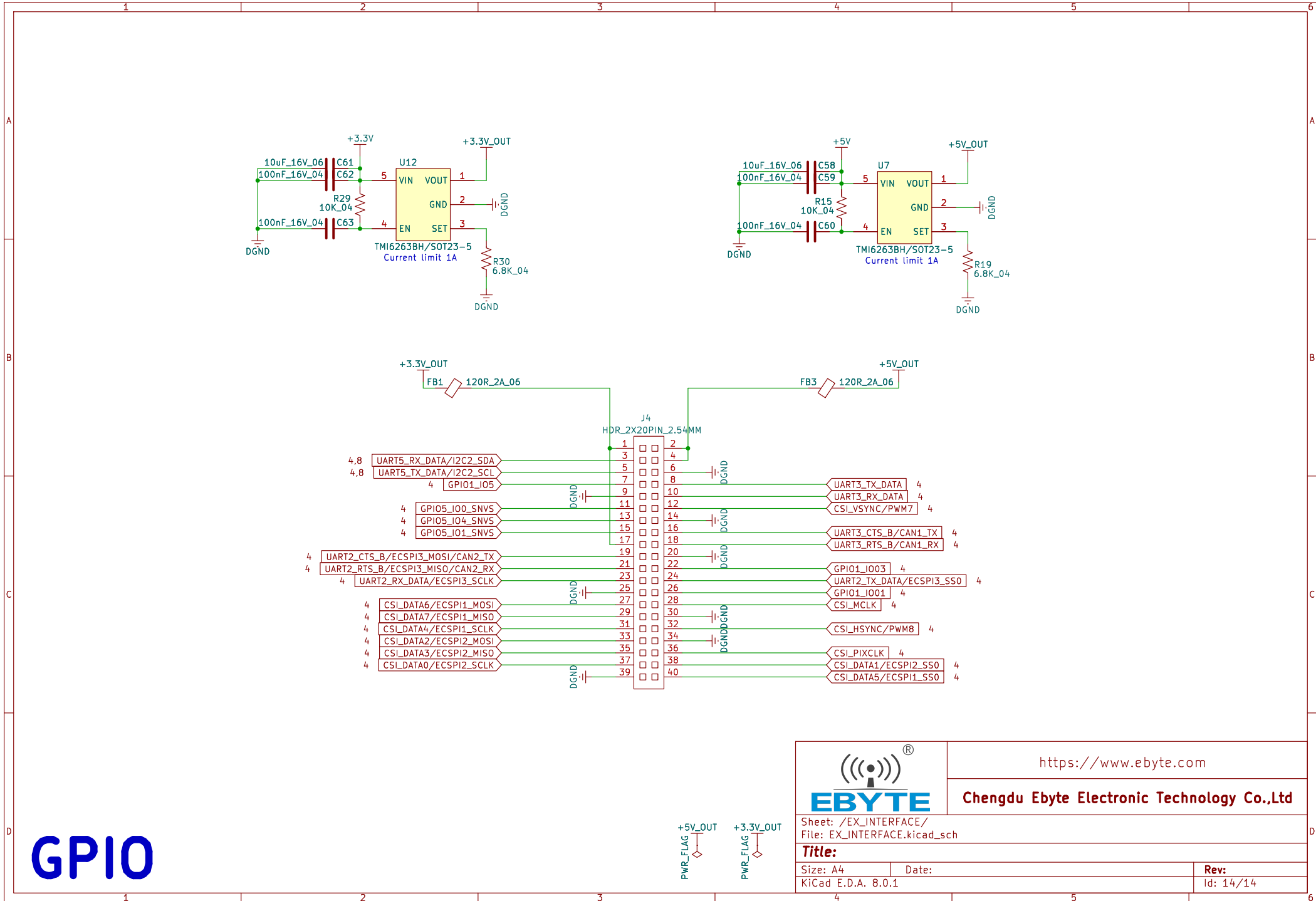
	https://www.ebyte.com	
	Chengdu Ebyte Electronic Technology Co.,Ltd	
Sheet: /DEBUG/ File: DEBUG.kicad_sch		
Title:		
Size: A4	Date:	Rev:
KiCad E.D.A. 8.0.1		Id: 12/14

AUDIO




	https://www.ebyte.com	
	Chengdu Ebyte Electronic Technology Co.,Ltd	
Sheet: /AUDIO/ File: AUDIO.kicad_sch		
Title:		
Size: A4	Date:	Rev:
KiCad E.D.A. 8.0.1		Id: 13/14





GPIO

 EBYTE	https://www.ebyte.com	
	Chengdu Ebyte Electronic Technology Co.,Ltd	
Sheet: /EX_INTERFACE/ File: EX_INTERFACE.kicad_sch		
Title:		
Size: A4	Date:	Rev:
KiCad E.D.A. 8.0.1		Id: 14/14

