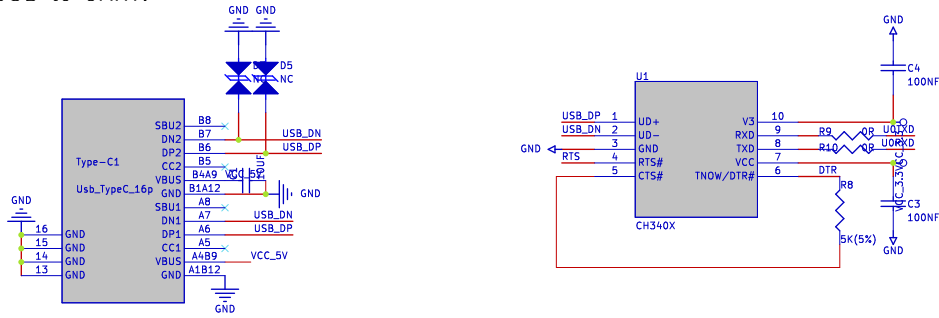
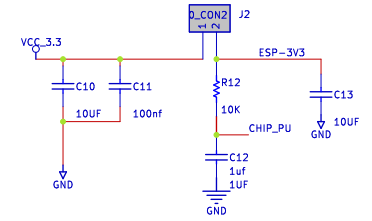
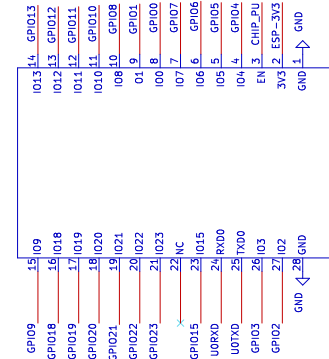


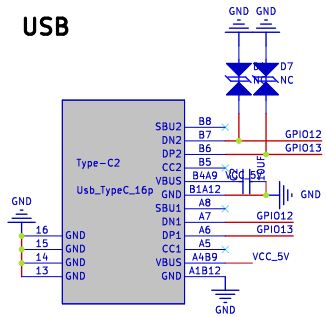
### USB to UART:



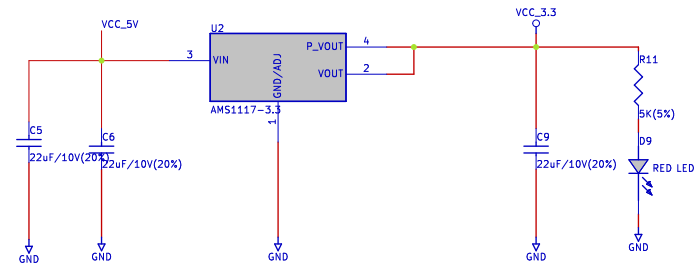
### E101-C6WN8-P/XS



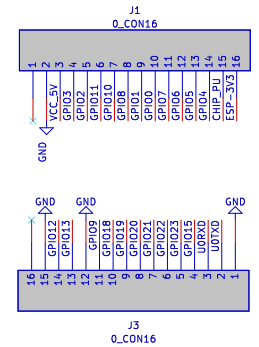
### USB



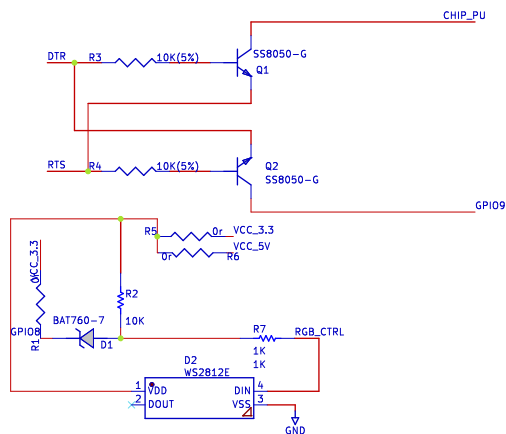
### Power Regulator:



### Pin Header:



### Auto Download:



```

Auto program
DTR RTS-->EN IOO
1 0 1 1 1
0 0 0 0 1
1 0 1 1 1
0 1 1 0 0
    
```

