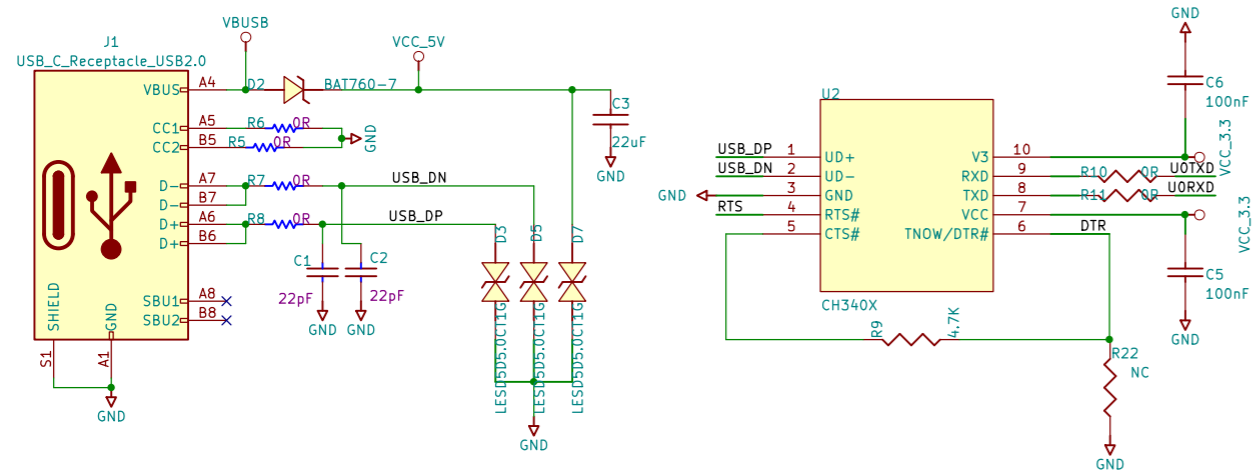
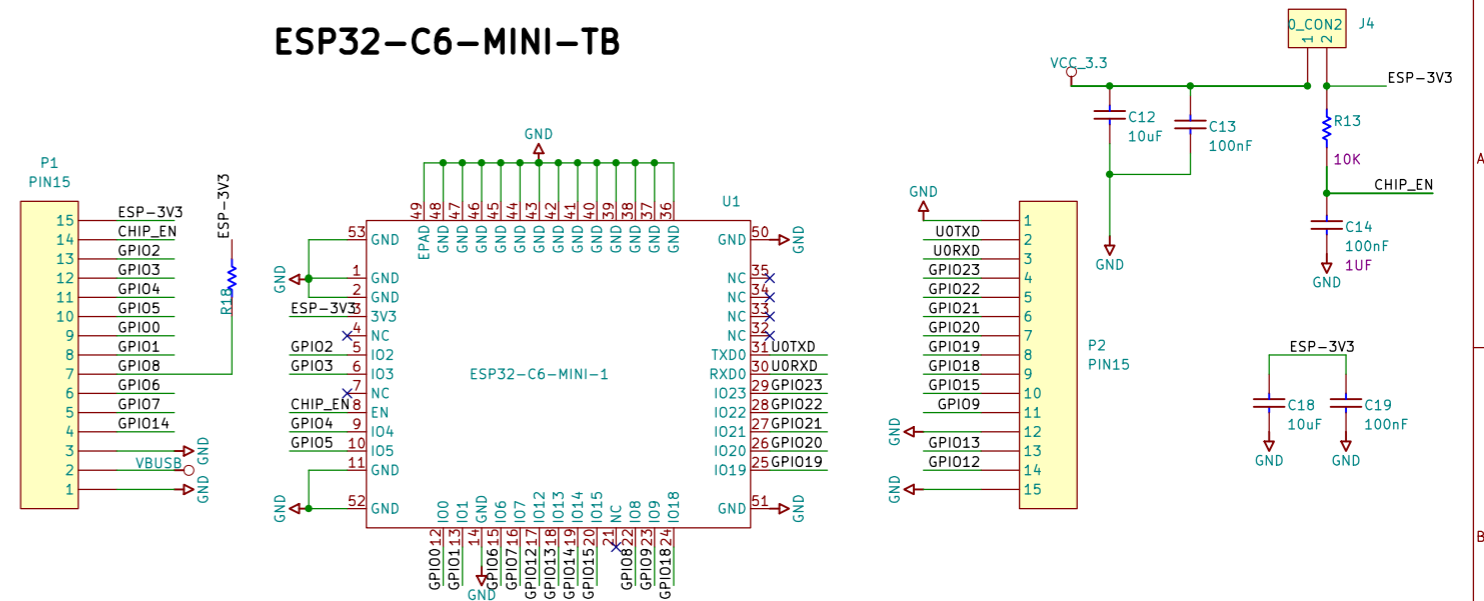


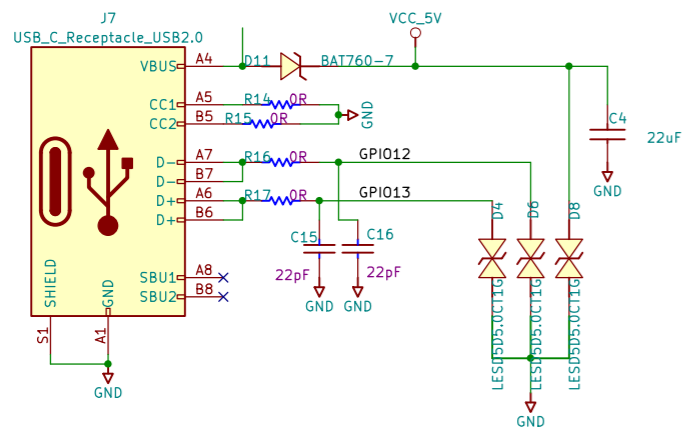
USB to UART:



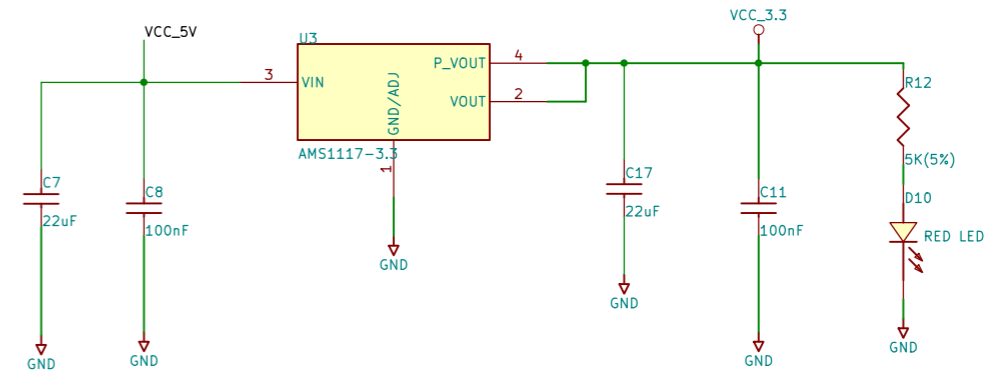
ESP32-C6-MINI-TB



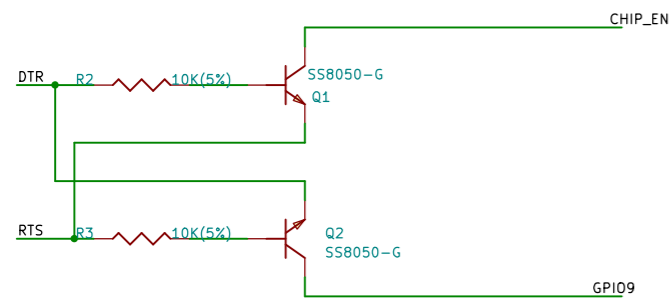
USB



Power Regulator:



Auto Download:



Auto program			
DTR	RTS	->EN	I/O
1	1	1	1
0	0	1	1
1	0	0	1
0	1	1	0

