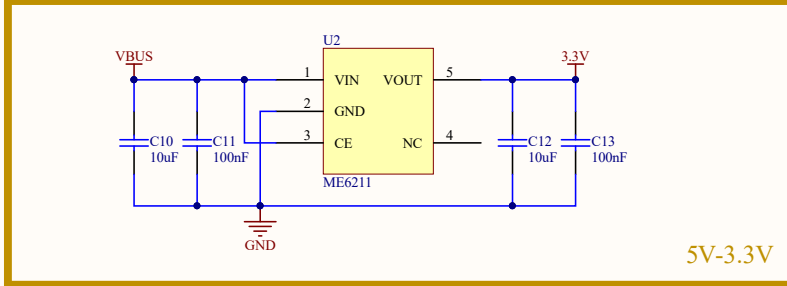
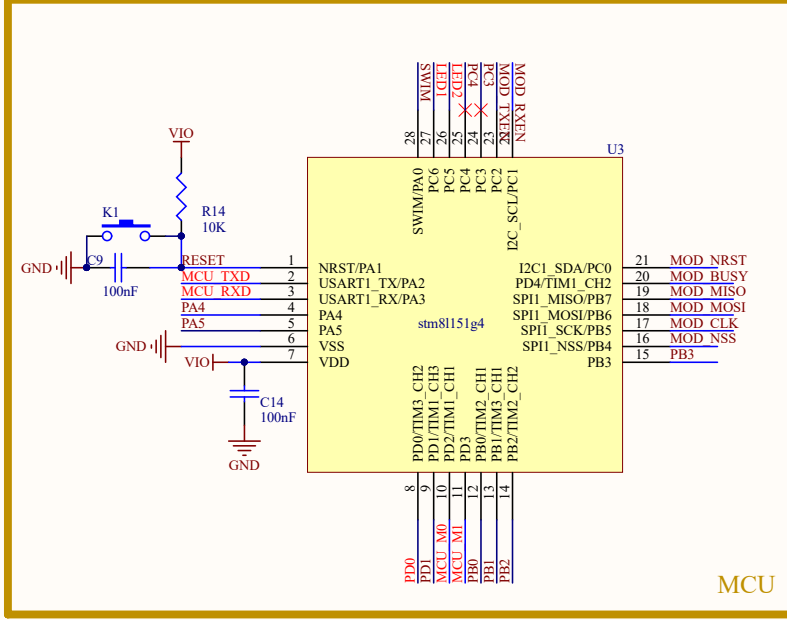


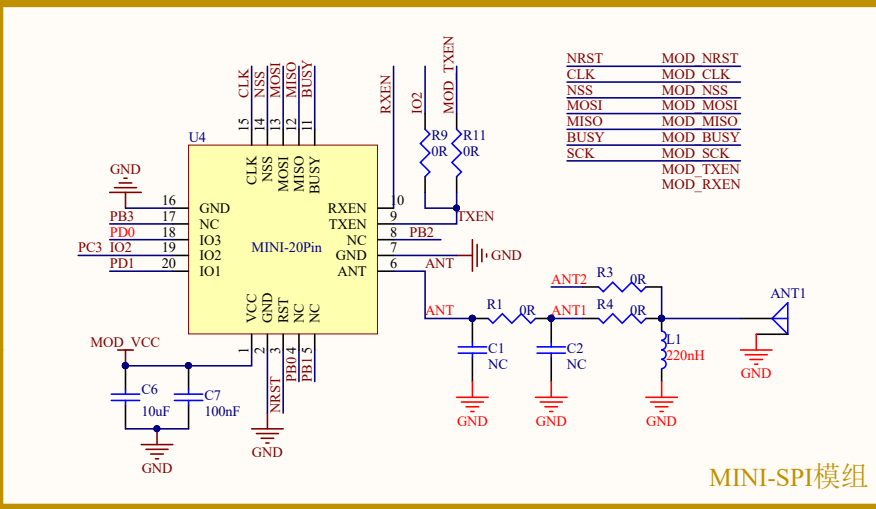
USB-USART



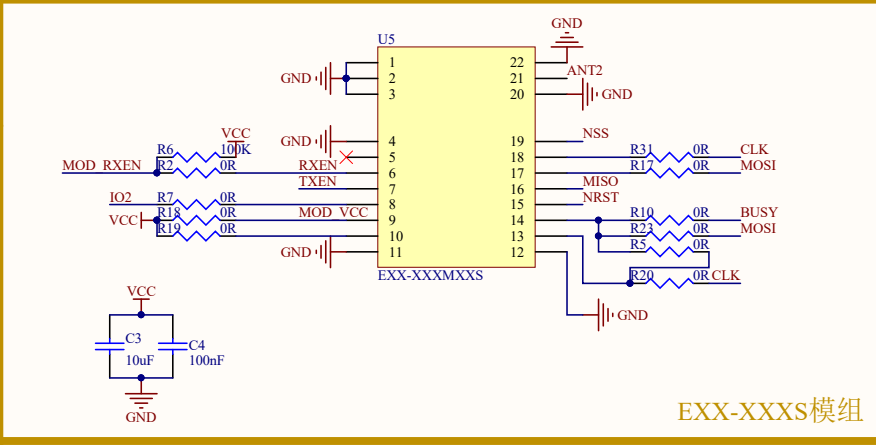
5V-3.3V



MCU



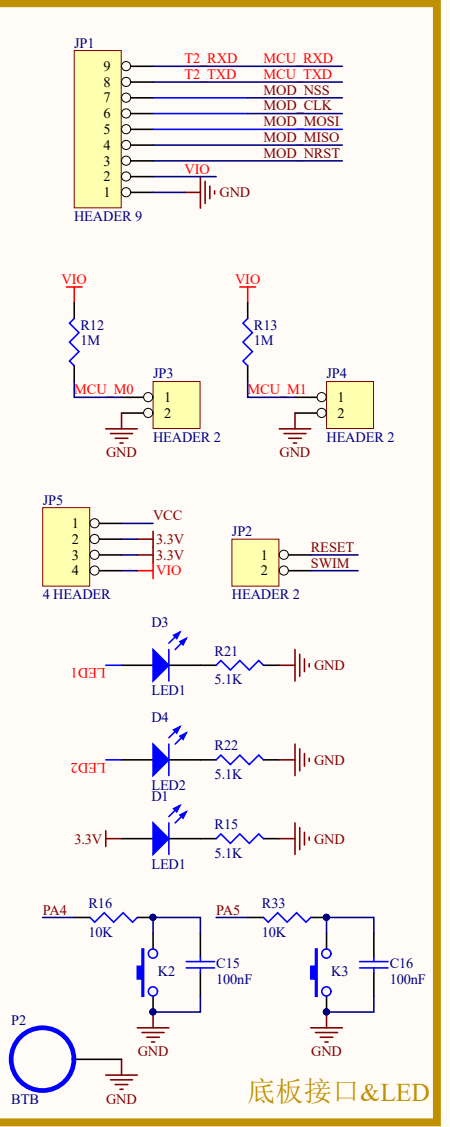
MINI-SPI模组



EXX-XXXXS模组

NC	OR
E49-X00M20S	R5, R2, R6, R18, R27, R25, R10, R17, R31, R9, R4
E31-X00M17S	R5, R6, R19, R27, R20, R25, R23, R9, R4
E220-X00M22S	R5, R6, R19, R27, R20, R25, R23, R9, R4
E22-X00M22S	R5, R6, R19, R27, R20, R25, R23, R9, R4
E32-X00M20S	R5, R6, R19, R27, R20, R25, R23, R9, R4
E30-X00M20S	R5, R6, R19, R27, R20, R25, R23, R9, R4
E07-X00M10S	R5, R6, R19, R27, R20, R25, R23, R9, R4
E220-X00M22S	R5, R6, R19, R27, R20, R25, R23, R9, R3
	R28, R29, R30, R7, R19, R24, R26, R20, R23, R8, R32, R11, R3
	R28, R29, R30, R2, R7, R18, R24, R26, R10, R8, R32, R17, R31, R11, R3
	R28, R29, R30, R2, R7, R18, R24, R26, R10, R8, R32, R17, R31, R11, R3
	R28, R29, R30, R2, R7, R18, R24, R26, R10, R8, R32, R17, R31, R11, R3
	R28, R29, R30, R2, R7, R18, R24, R26, R10, R8, R32, R17, R31, R11, R3
	R28, R29, R30, R2, R7, R18, R24, R26, R10, R8, R32, R17, R31, R11, R3
	R28, R29, R30, R2, R7, R18, R24, R26, R10, R8, R32, R17, R31, R11, R3
	R28, R29, R30, R2, R7, R18, R24, R26, R10, R8, R32, R17, R31, R11, R3

模组兼容跳线



底板接口&LED

Title		
Size	Number	Revision
Legal		
Date:	2024-04-18	Sheet of
File:	G:\10567-V1.1M系列测试底板.SchDoc Drawn By:	