

## Table of Content

框图

File: 框图.kicad\_sch

电源树

File: 电源树.kicad\_sch

POWER

File: POWER.kicad\_sch

USB\_HOST

File: USB\_HOST.kicad\_sch

USB\_OTG&UART

File: USB\_OTG&UART.kicad\_sch

RGMI1\_1000M

File: RGMI1\_1000M.kicad\_sch

MICRO SD

File: MICRO\_SD.kicad\_sch

AUDIO

File: AUDIO.kicad\_sch

CONNECTOR

File: CONNECTOR.kicad\_sch

WIFI

File: WIFI.kicad\_sch

MIPI\_DSI

File: MIPI\_DSI.kicad\_sch

SOM CONNECTOR

File: SOM\_CONNECTOR.kicad\_sch

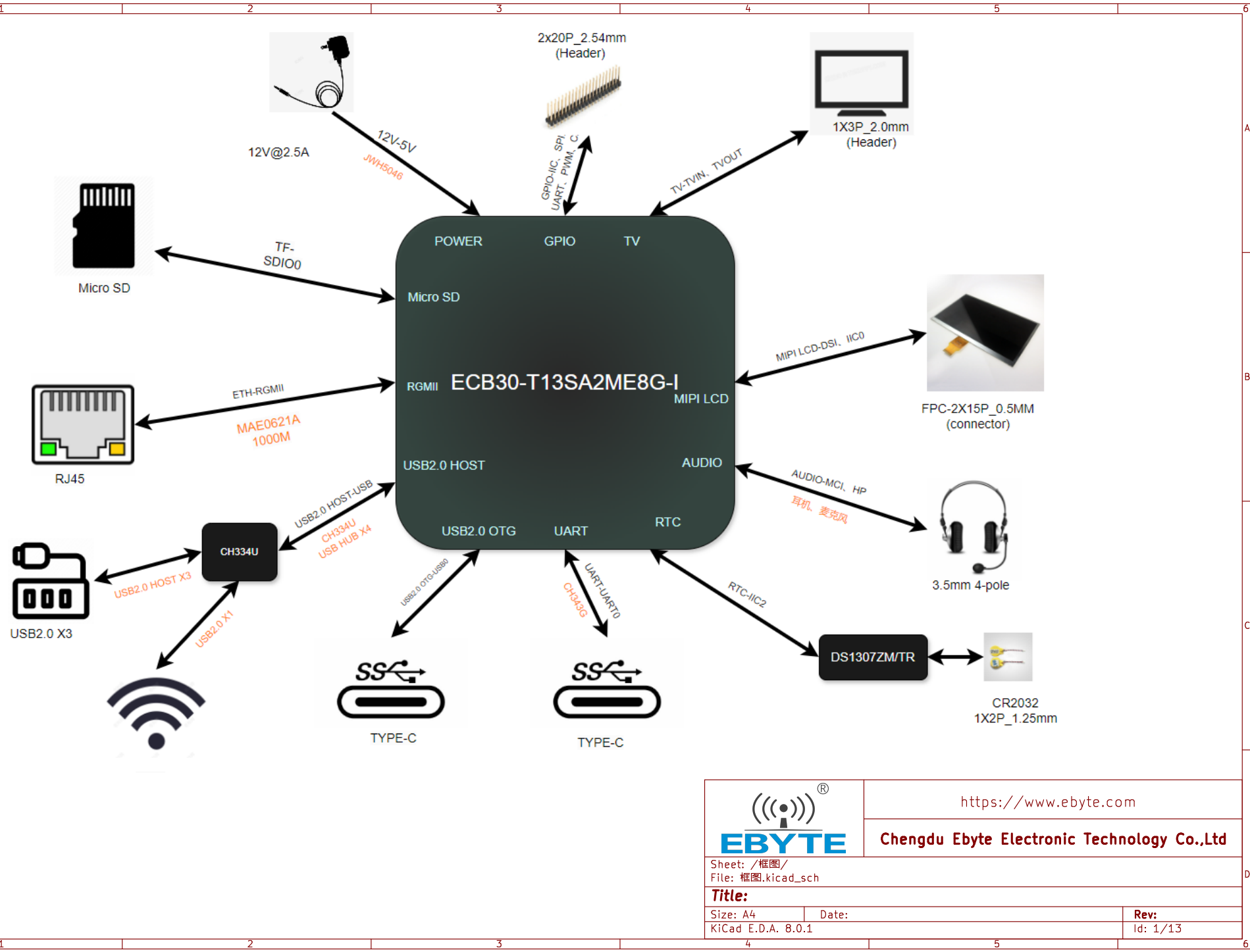
# 30013

## P2024-EC007

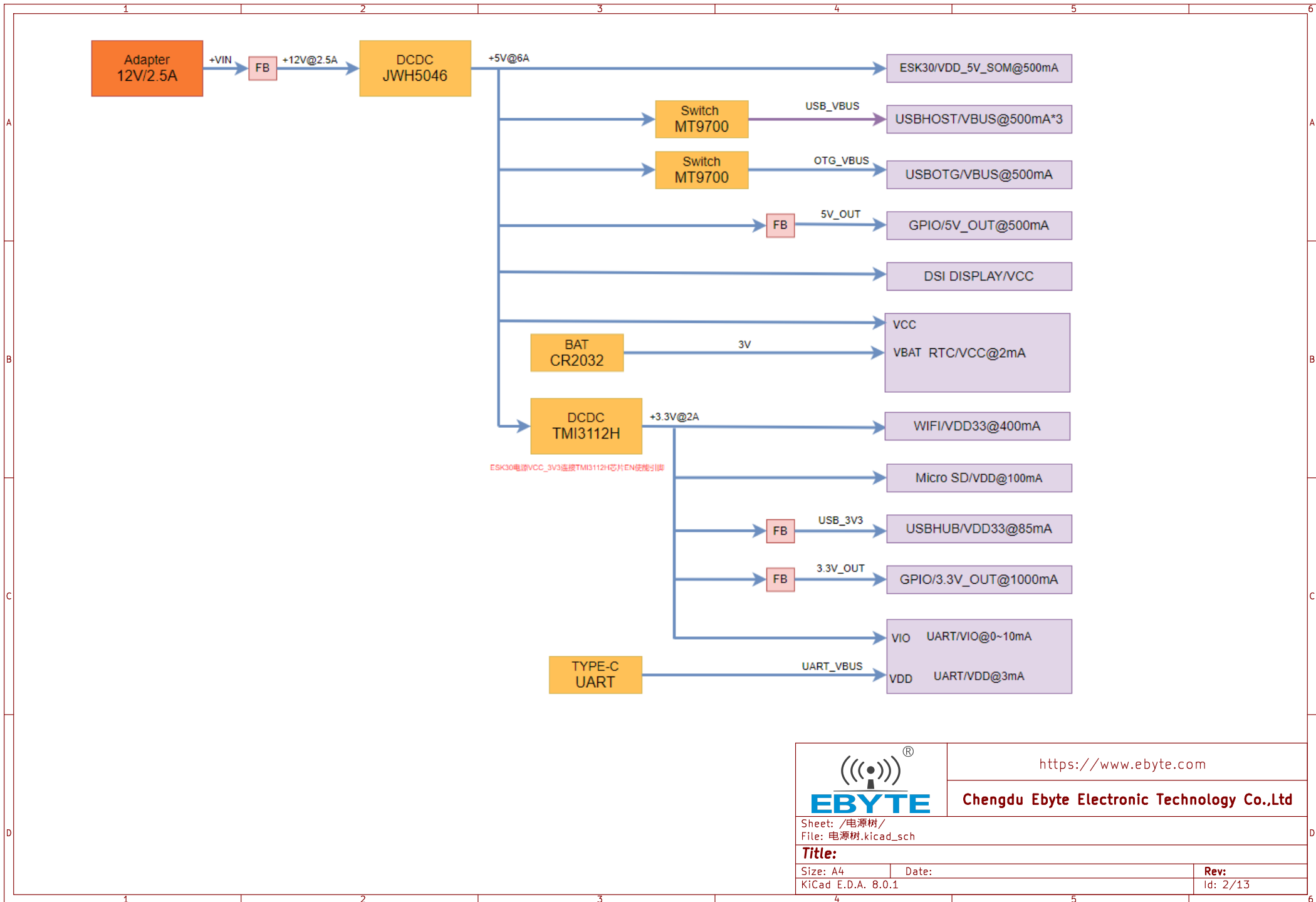
### Revision History

V1.0-2024.10-12-WJ  
1、初始版本。

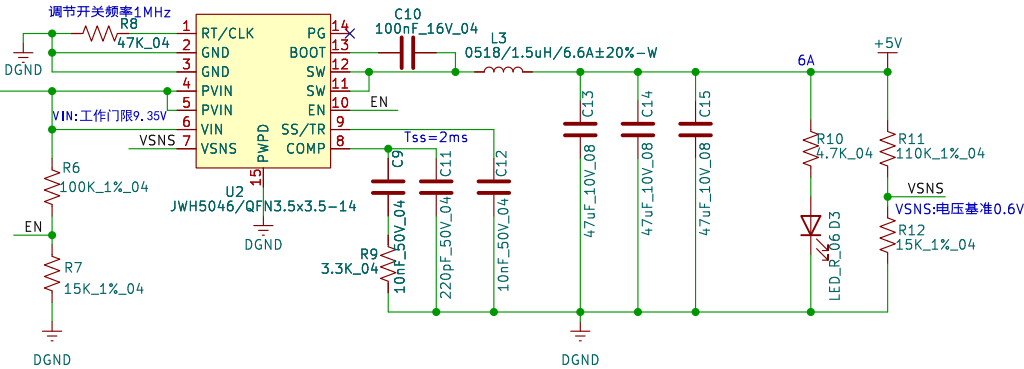
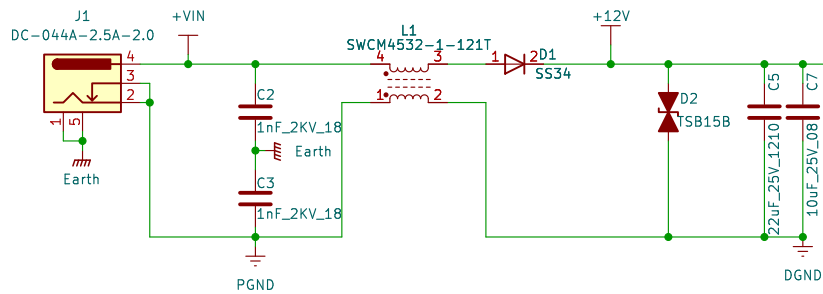
	<a href="https://www.ebyte.com">https://www.ebyte.com</a>	
	Chengdu Ebyte Electronic Technology Co.,Ltd	
Sheet: / File: 30013V1.0.kicad_sch		
<b>Title:</b>		
Size: A4	Date:	Rev:
KiCad E.D.A. 8.0.1		Id: 1/13



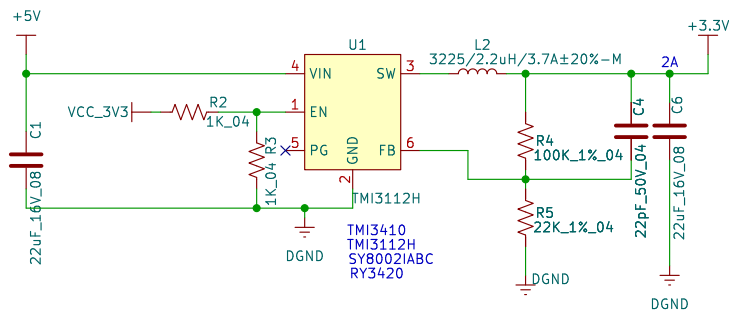
	<a href="https://www.ebyte.com">https://www.ebyte.com</a>	
	<b>Chengdu Ebyte Electronic Technology Co.,Ltd</b>	
Sheet: /框图/ File: 框图.kicad_sch		
<b>Title:</b>		
Size: A4	Date:	Rev:
KiCad E.D.A. 8.0.1		Id: 1/13



	<a href="https://www.ebyte.com">https://www.ebyte.com</a>	
	<b>Chengdu Ebyte Electronic Technology Co.,Ltd</b>	
Sheet: /电源树/ File: 电源树.kicad_sch		
<b>Title:</b>		
Size: A4	Date:	Rev:
KiCad E.D.A. 8.0.1		Id: 2/13



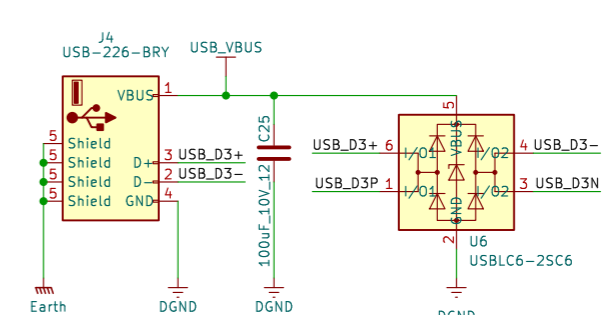
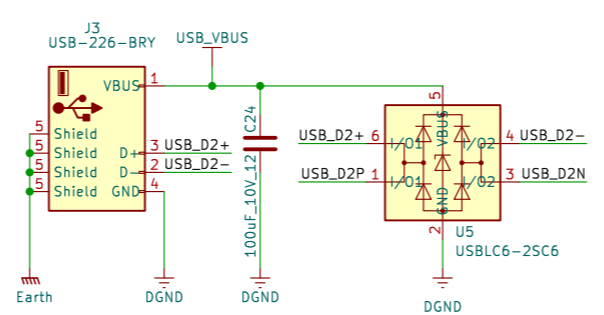
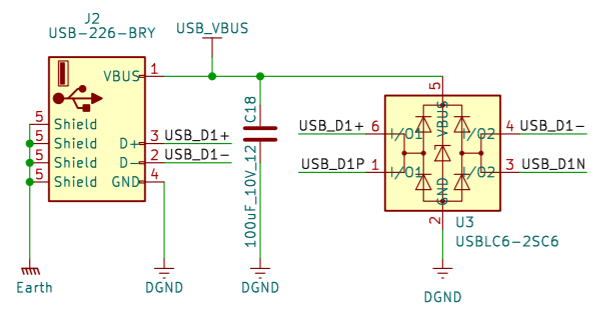
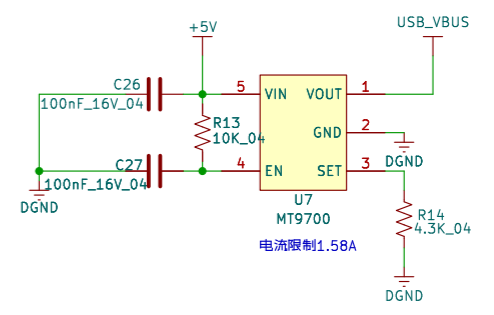
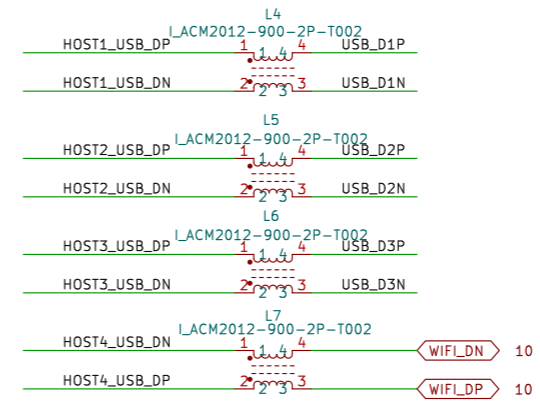
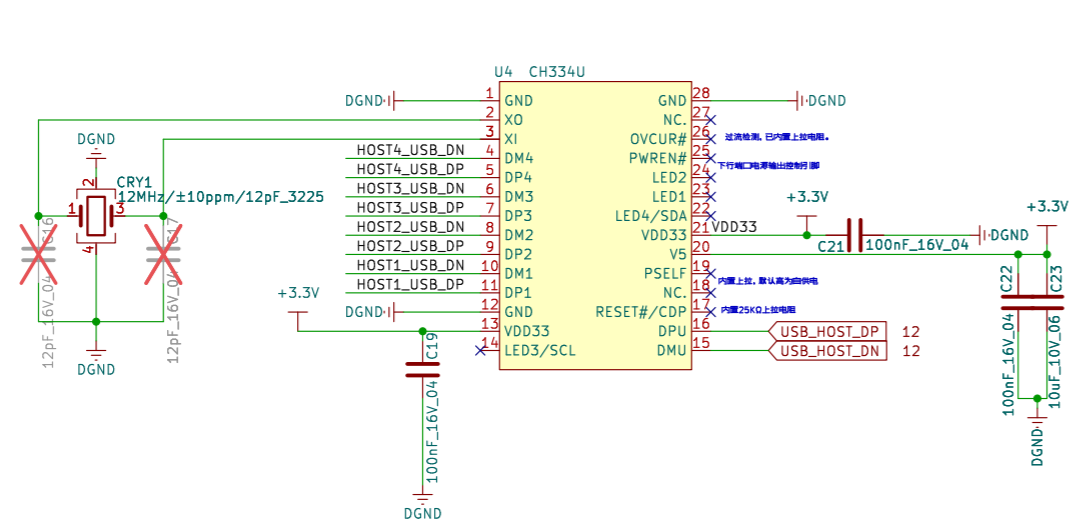
12V TO 5V

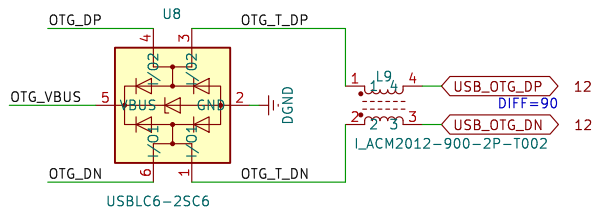
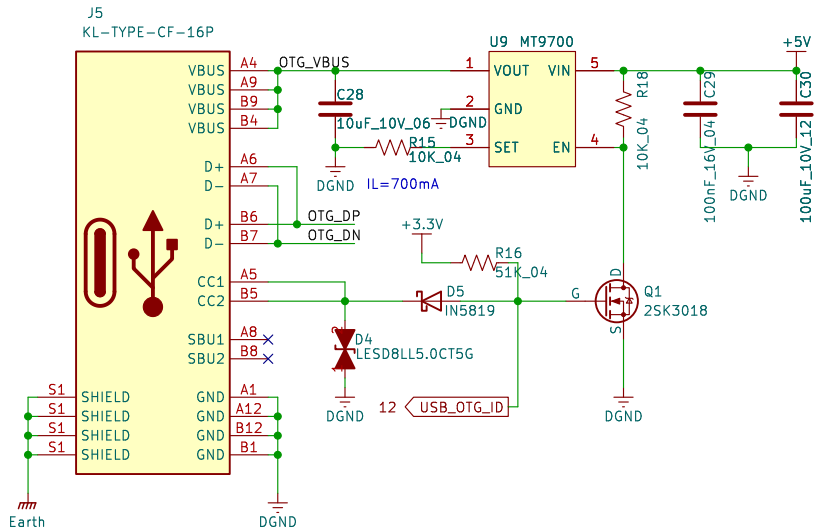


5V TO 3.3V

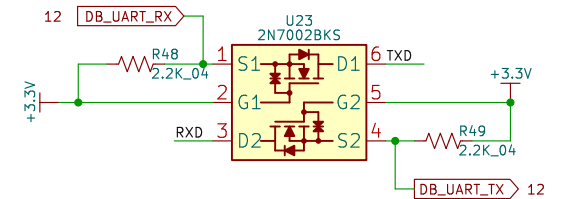
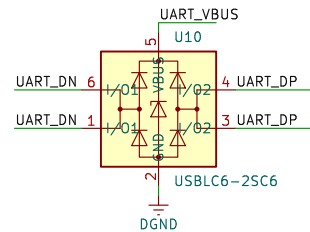
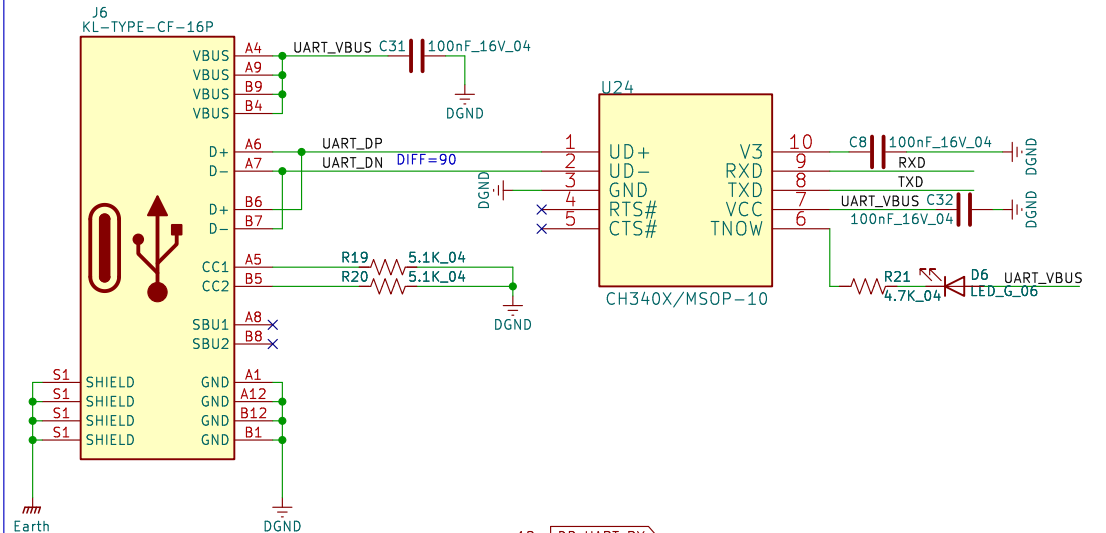


 <b>EBYTE</b>	<a href="https://www.ebyte.com">https://www.ebyte.com</a>
	<b>Chengdu Ebyte Electronic Technology Co.,Ltd</b>
Sheet: /POWER/ File: POWER.kicad_sch	
<b>Title:</b>	
Size: A4	Date:
KiCad E.D.A. 8.0.1	Rev: Id: 3/13



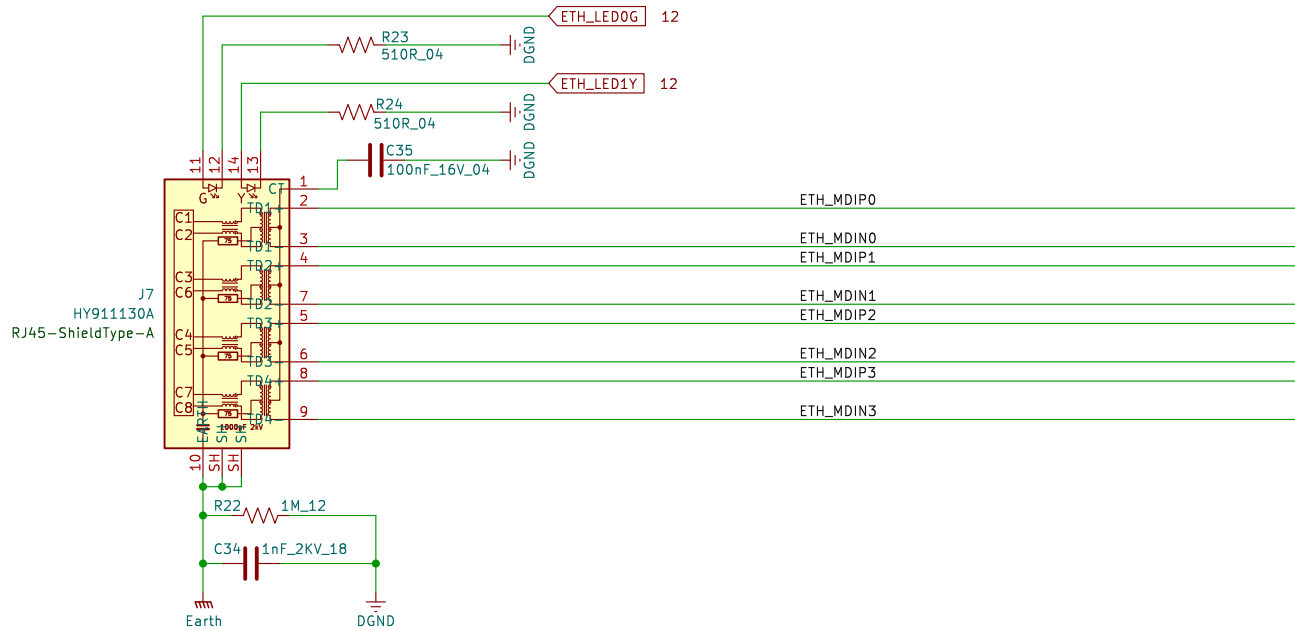


USB\_OTG

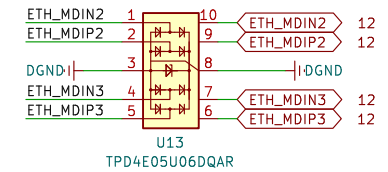
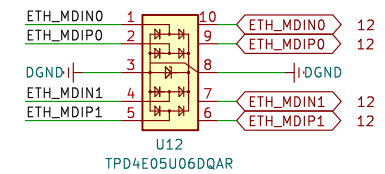


UART

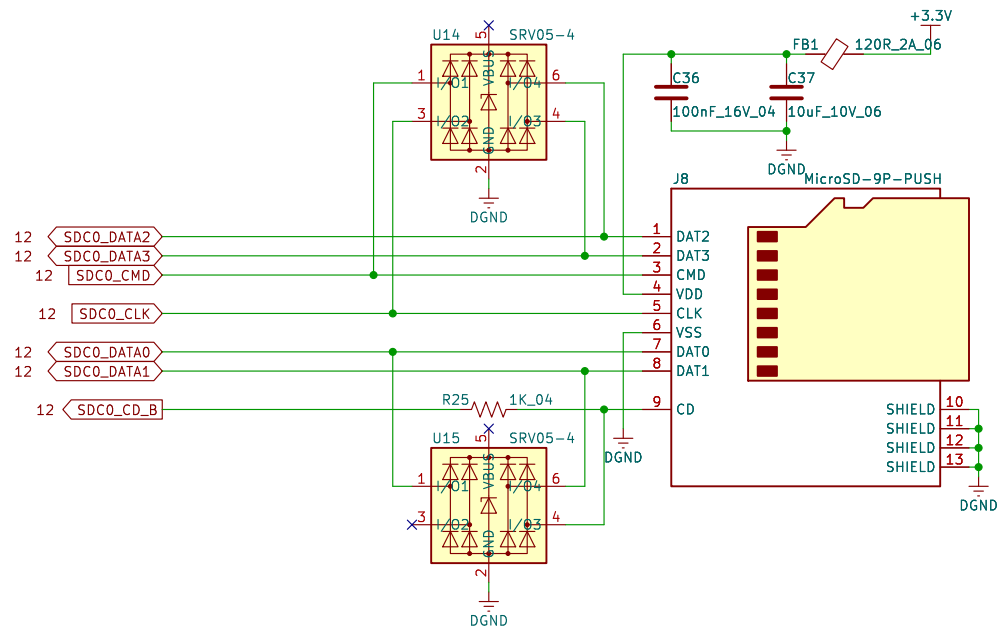
 <b>EBYTE</b>	<a href="https://www.ebyte.com">https://www.ebyte.com</a>
	<b>Chengdu Ebyte Electronic Technology Co.,Ltd</b>
Sheet: /USB_OTG&UART/ File: USB_OTG&UART.kicad_sch	
<b>Title:</b>	
Size: A4	Date:
KiCad E.D.A. 8.0.1	Rev: Id: 5/13



RGMII\_1000M



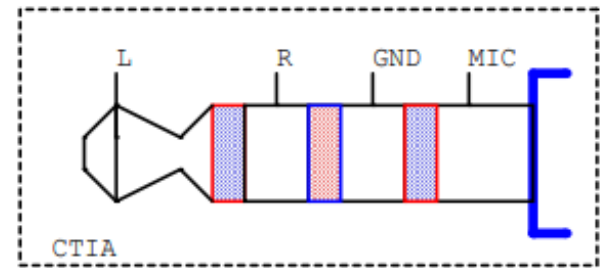
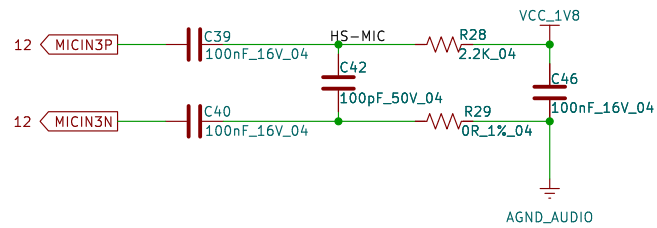
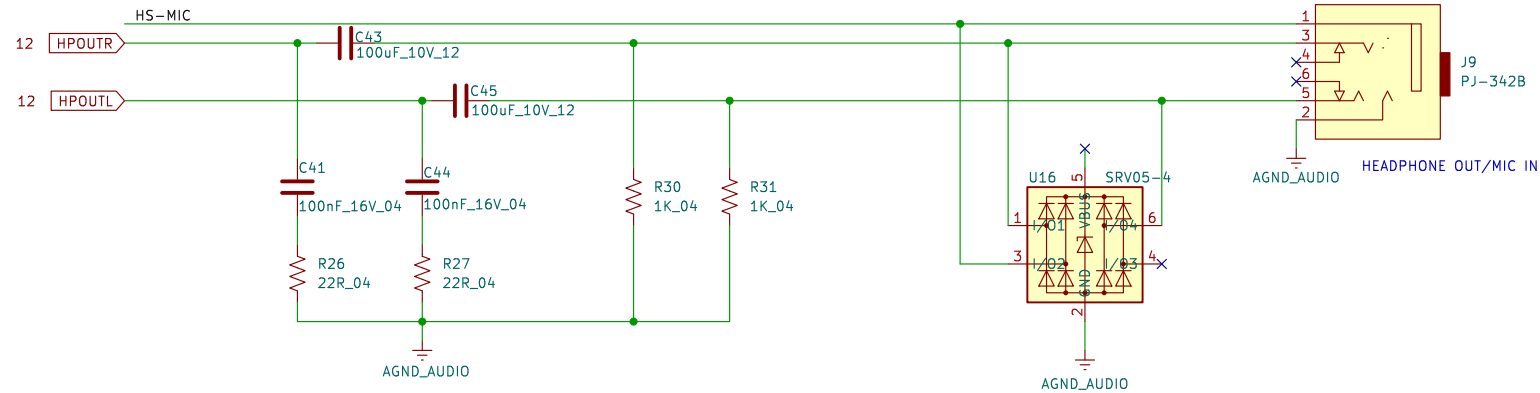
 <b>EBYTE</b>	<a href="https://www.ebyte.com">https://www.ebyte.com</a>	
	<b>Chengdu Ebyte Electronic Technology Co.,Ltd</b>	
Sheet: /RGMII_1000M/ File: RGMII_1000M.kicad_sch		
<b>Title:</b>		
Size: A4	Date:	<b>Rev:</b>
KiCad E.D.A. 8.0.1		Id: 6/13



MICRO SD

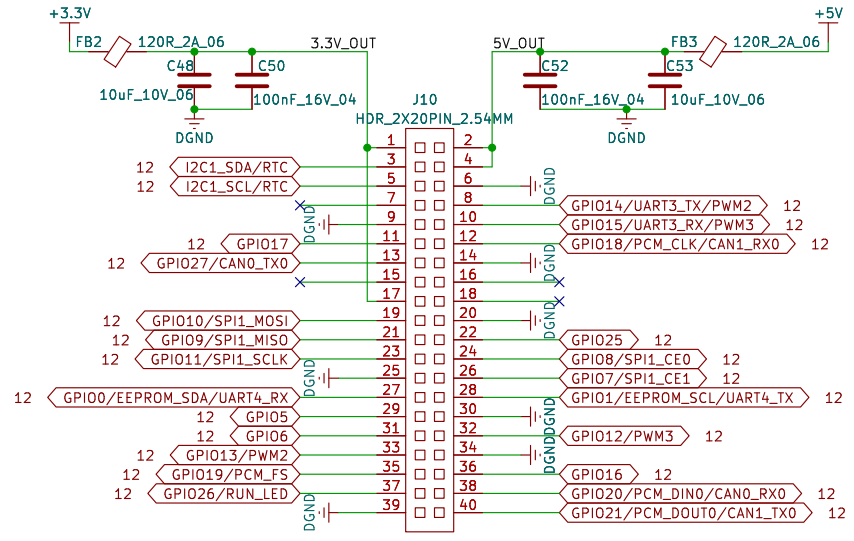
 <b>EByte</b>	<a href="https://www.ebyte.com">https://www.ebyte.com</a>	
	<b>Chengdu Ebyte Electronic Technology Co.,Ltd</b>	
Sheet: /MICRO SD/ File: MICRO SD.kicad_sch		
<b>Title:</b>		
Size: A4	Date:	Rev:
KiCad E.D.A. 8.0.1		Id: 7/13



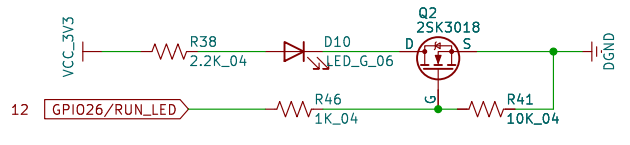
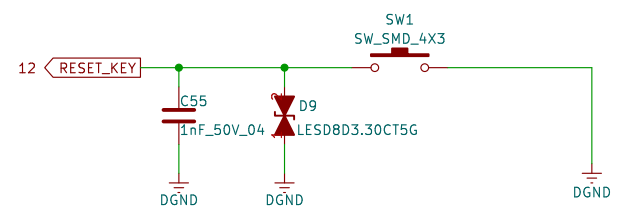


AUDIO

	<a href="https://www.ebyte.com">https://www.ebyte.com</a>	
	<b>Chengdu Ebyte Electronic Technology Co.,Ltd</b>	
Sheet: /AUDIO/ File: AUDIO.kicad_sch		
<b>Title:</b>		
Size: A4	Date:	Rev:
KiCad E.D.A. 8.0.1		Id: 8/13



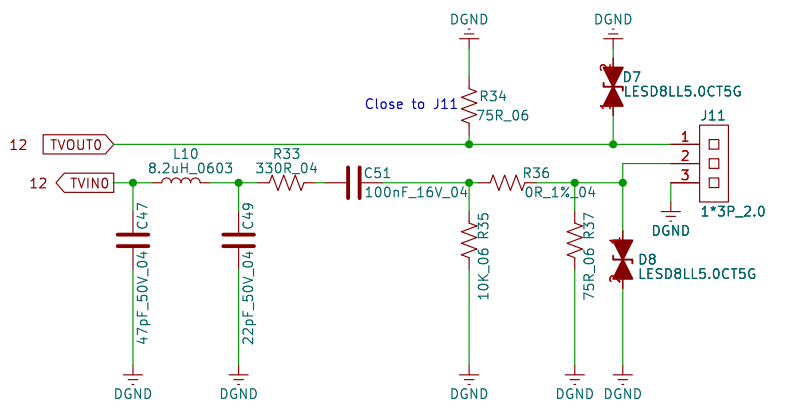
GPIO



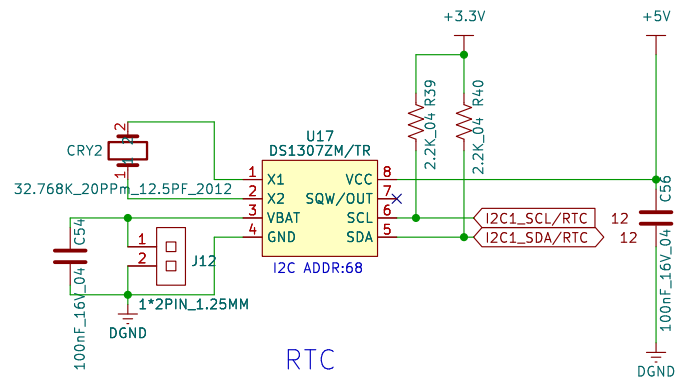
LED&KEY

- Earth HOLE1 6mm-2.7mm
- HOLE2 6mm-2.7mm
- Earth HOLE3 6mm-2.7mm
- Earth HOLE4 6mm-2.7mm


- FID1 Fiducial
- FID2 Fiducial
- FID3 Fiducial
- FID4 Fiducial
- FID5 Fiducial
- FID6 Fiducial



模拟信号接口



RTC



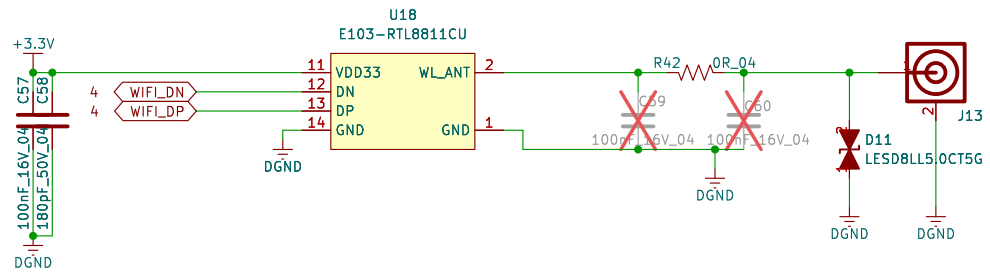
<https://www.ebyte.com>

**Chengdu Ebyte Electronic Technology Co.,Ltd**

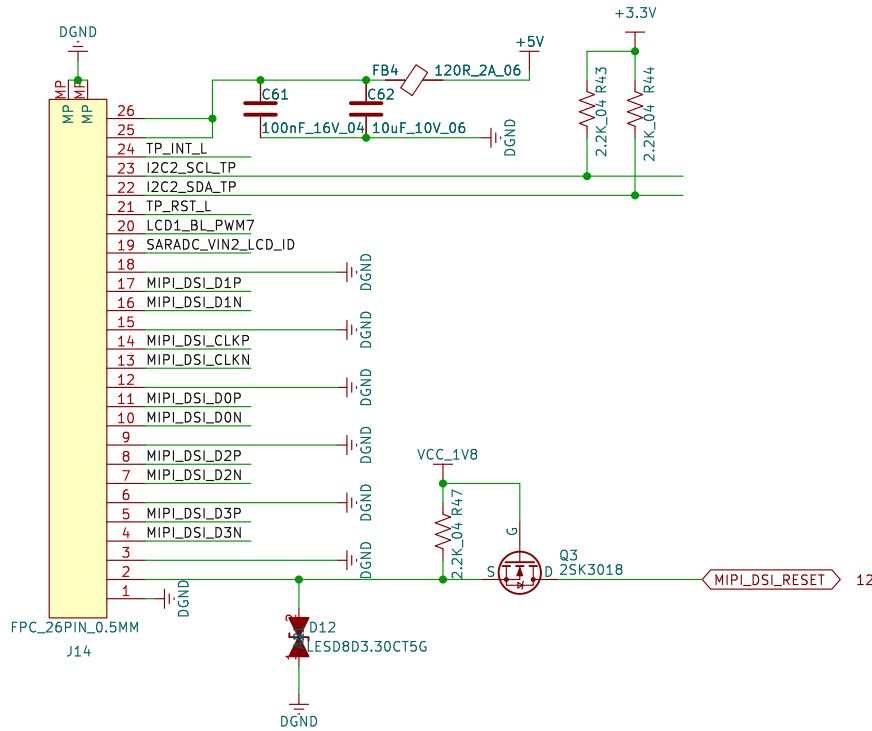
Sheet: /CONNECTOR/  
File: CONNECTOR.kicad\_sch

**Title:**

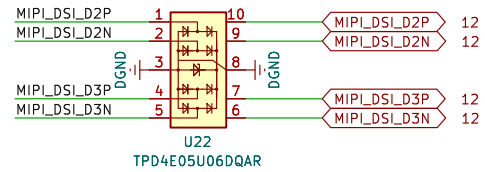
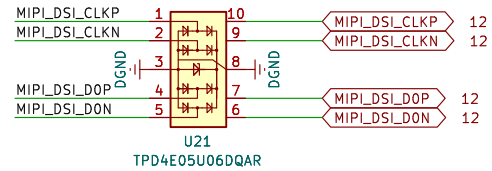
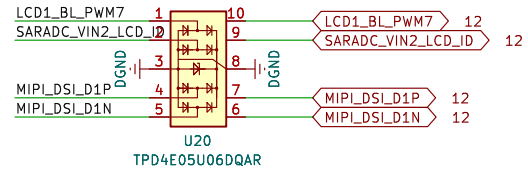
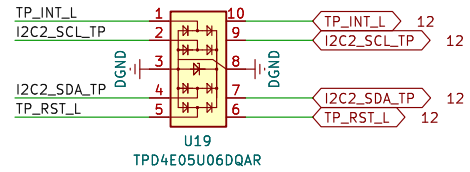
Size: A4	Date:
KiCad E.D.A. 8.0.1	
Rev:	
Id: 9/13	



	<a href="https://www.ebyte.com">https://www.ebyte.com</a>	
	<b>Chengdu Ebyte Electronic Technology Co.,Ltd</b>	
Sheet: /WIFI/ File: WIFI.kicad_sch		
<b>Title:</b>		
Size: A4	Date:	<b>Rev:</b>
KiCad E.D.A. 8.0.1		Id: 10/13



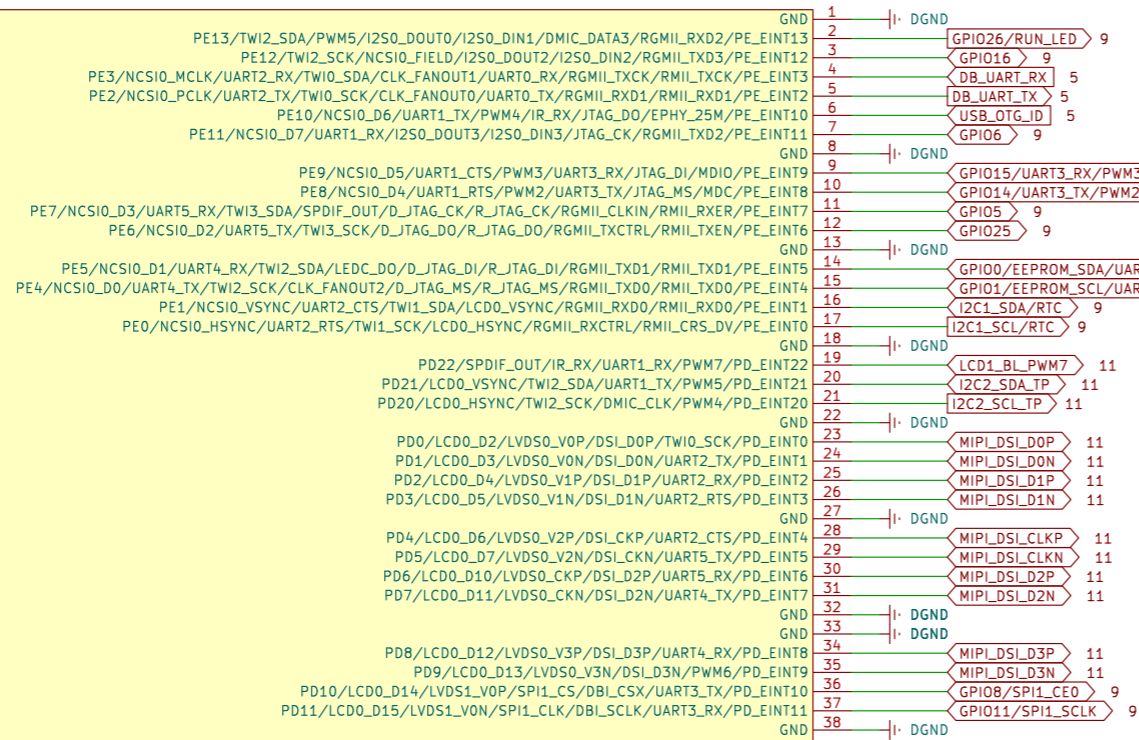
MIPI\_DSI



 <b>EBYTE</b>	<a href="https://www.ebyte.com">https://www.ebyte.com</a>	
	<b>Chengdu Ebyte Electronic Technology Co.,Ltd</b>	
Sheet: /MIPI_DSI/ File: MIPI_DSI.kicad_sch		
<b>Title:</b>		
Size: A4	Date:	Rev:
KiCad E.D.A. 8.0.1		Id: 11/13

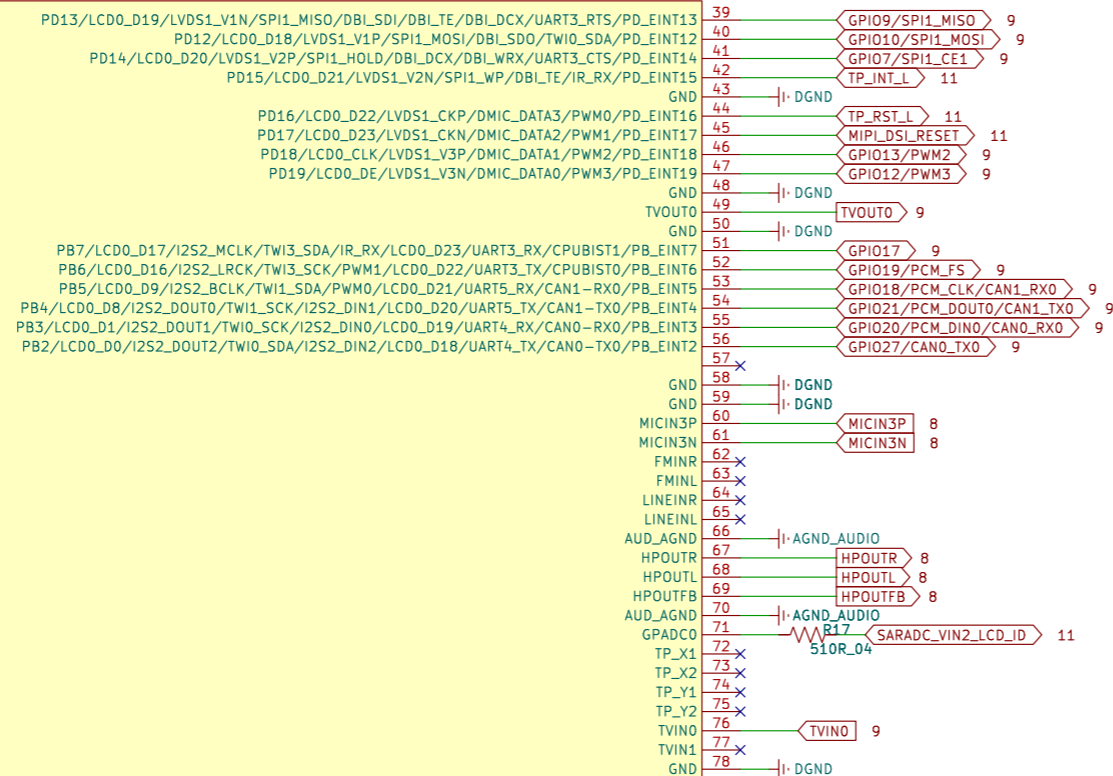
P1A  
ECK31\_T135A\_P116

PIN 1-38



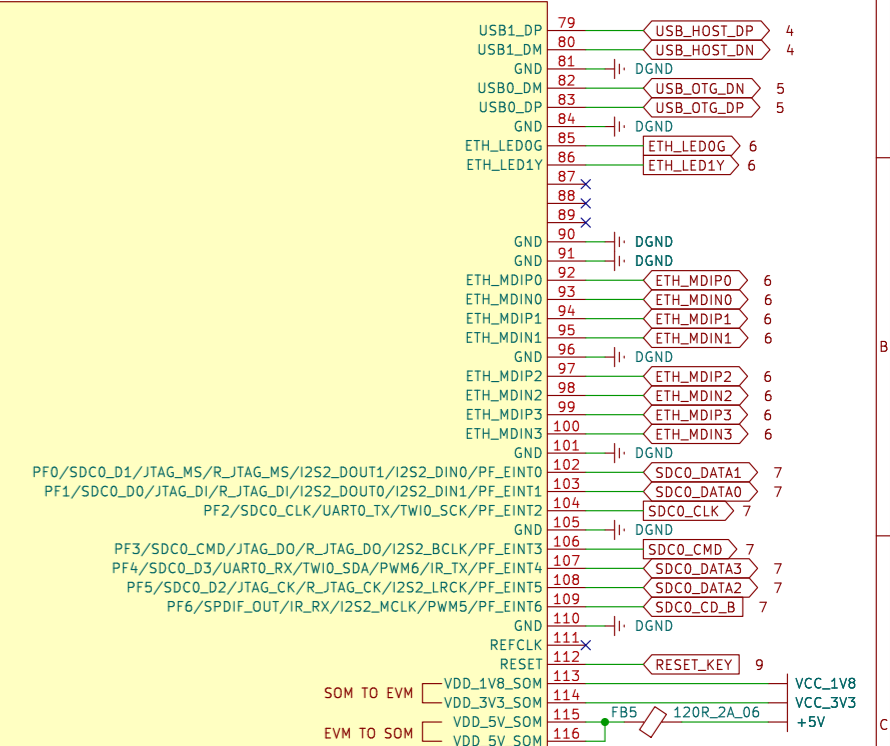
P1B  
ECK31\_T135A\_P116

PIN 39-78



P1C  
ECK31\_T135A\_P116

PIN 79-116





<https://www.ebyte.com>

**Chengdu Ebyte Electronic Technology Co.,Ltd**

Sheet: /SOM CONNECTOR/  
File: SOM CONNECTOR.kicad\_sch

**Title:**

Size: A3	Date:	Rev:
KiCad E.D.A. 8.0.1		Id: 12/13