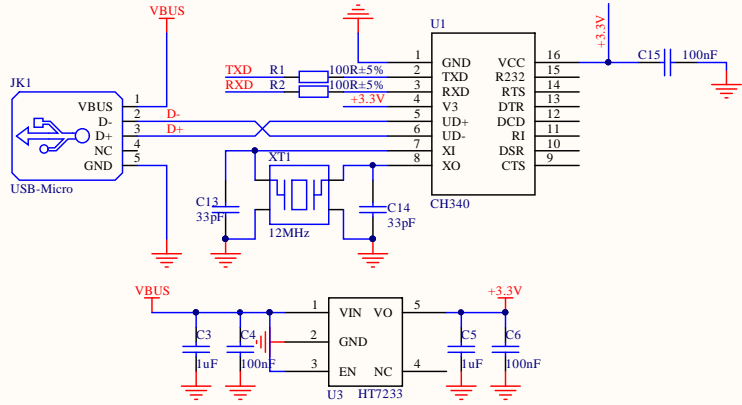
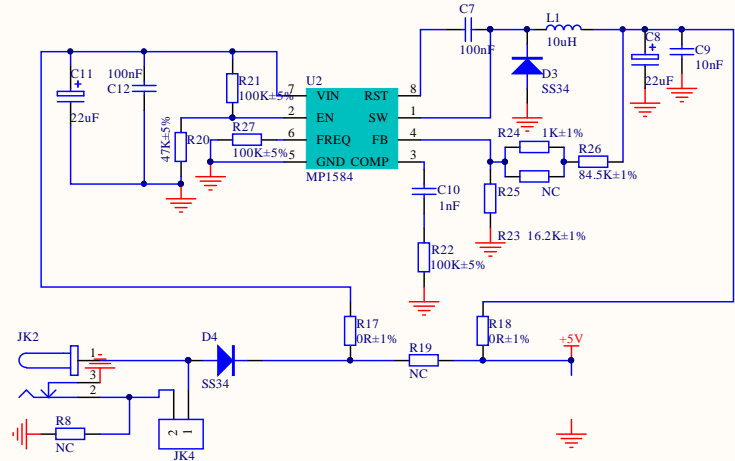


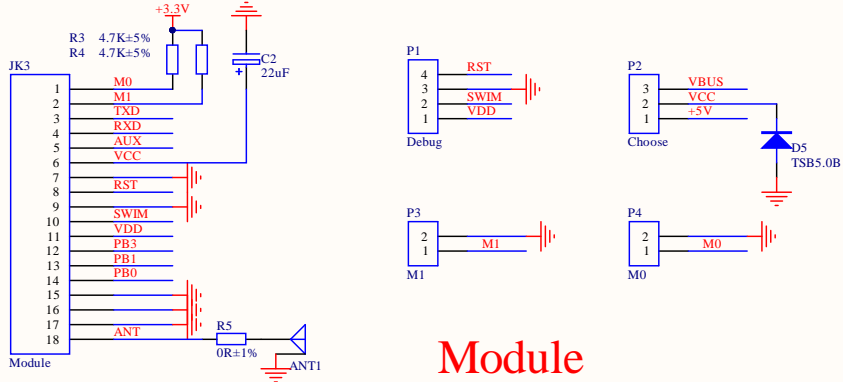
USB



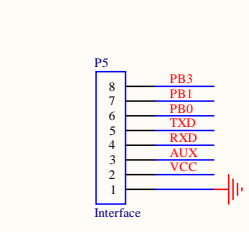
Source



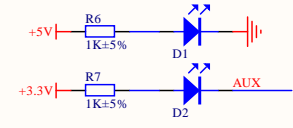
Module



Interface



LED



Ebyte Electronic				
PART NAME:			MODEL NAME:	
DRAWN BY: CHEN	DATE 2022-06-11	UNLESS OTHERWISE SPECIFIED ALL DIMENSION ARE IN MILLIMETRE TOLERANCE ARE: DECIMAL: .X %/P 0.1 XX%/P 0.05 ANGULAR: %/M/D		MODEL NO:
CHECKED BY:	DATE	MATERIAL:		QTY. USE: 1
APPROVED BY:	DATE	SCALE	DRAWING NO:	ISSUE A0