
Datasheet for Telink BLE SoC TLSR8266

DS-TLSR8266-E31

Ver 3.2.0

2018/9/11

Keyword:

Features; Package; Pin layout; Working mode;
Memory; MCU; RF Transceiver; Baseband; Clock;
Timers; Interrupt; Interface; PWM; KeyScan; QDEC;
ADC; PGA; Electrical specification; Application

Brief:

This datasheet is dedicated for Telink BLE SoC TLSR8266 (without internal flash) / TLSR8266F512 (with internal 512K flash)/TLSR8266F128 (with internal 128K flash)/ TLSR8266F1k (with internal 1024k flash). In this datasheet, key features, working mode, main modules, electrical specification and application of the TLSR8266/TLSR8266F512/TLSR8266F128/TLSR8266F1K are introduced.



TELINK SEMICONDUCTOR

Published by
Telink Semiconductor

Bldg 3, 1500 Zuchongzhi Rd,
Zhangjiang Hi-Tech Park, Shanghai, China

© Telink Semiconductor
All Right Reserved

Legal Disclaimer

Telink Semiconductor reserves the right to make changes without further notice to any products herein to improve reliability, function or design. Telink Semiconductor disclaims any and all liability for any errors, inaccuracies or incompleteness contained herein or in any other disclosure relating to any product.

Telink Semiconductor does not assume any liability arising out of the application or use of any product or circuit described herein; neither does it convey any license under its patent rights, nor the rights of others

The products shown herein are not designed for use in medical, life-saving, or life-sustaining applications. Customers using or selling Telink Semiconductor products not expressly indicated for use in such applications do so entirely at their own risk and agree to fully indemnify Telink Semiconductor for any damages arising or resulting from such use or sale.

Information:

For further information on the technology, product and business term, please contact Telink Semiconductor Company (www.telink-semi.com).

For sales or technical support, please send email to the address of:

telinkcsales@telink-semi.com

telinkcnsupport@telink-semi.com

Revision History

Version	Major Changes	Date	Author
0.8	Preliminary release	2014/3	Cynthia
1.0	Mainly added section 11~13, and updated section 1, 7, 10, 14. Added TLSR8266ET48 package.	2014/5	Cynthia
1.01	Updated section 14.4	2014/5	Cynthia
1.1	Updated section 15	2014/5	Cynthia
1.2	Mainly updated section 1 and section 15	2014/7	Cynthia
1.3	Updated section 4	2014/7	Cynthia
1.4	Mainly updated section 1, section 6 and section 15	2014/8	Cynthia
1.41	Updated section 14.3	2014/8	Cynthia
1.42	Updated section 1 and section 3	2014/8	Cynthia
1.5	Updated section 8	2014/10	Cynthia
1.6	Added section 2.5, updated section 7.1 and 7.3	2015/1	S.G.J., Cynthia
1.7	Updated section 2.3	2015/1	S.G.J., Cynthia
1.71	Updated section 14.4	2015/3	Cynthia
1.8	Updated section 2.5, 4.4.2, 5, 7.1.3, 7.4, 12 and 14.4	2015/3	Cynthia
1.9	Updated section 1 and 14.2	2015/3	Cynthia
1.91	Updated section 12.5~12.6 and 12.9	2015/4	Cynthia
2.0	Updated section 1.6 and 7.1	2015/4	S.G.J., Cynthia
2.01	Mainly updated section 1.6, 7.1.1.2 and 12.3 Modified Figure 13-1	2015/5	L.L.J., Cynthia
2.0.2	Updated package dimension figures (Figure 1-2~1-4 in section 1.5)	2015/6	X.S.J., Cynthia
2.1.0	Marked ANA_D<4> and ANA_D<5> as input and output pins for 32K crystal; Updated connection relationship between GPIO and related modules; Updated Tx power.	2016/2	S.G.J., L.Y., Cynthia

Version	Major Changes	Date	Author
2.2.0	Added TLSR8266F64ET24 package information; Added TLSR8266F512/TLSR8266F64 Flash features; Added reference design for TLSR8266F512ET32 and TLSR8266F64ET24.	2016/5	X.S.J., W.W.X., T.J.B., L.X., Cynthia
2.3.0	Updated recommended VDD range, DC characteristics, ordering information and reference design; Replaced TLSR8266F64 by TLSR8266F128; Updated Note (3) for GPIO lookup table.	2016/7	L.X., L.W.H., L.J.R., X.S.J., Cynthia
2.4.0	Added Unique ID feature for TLSR8266F128 internal 128K Flash encryption protection.	2016/9	H.Z.T., Cynthia
2.5.0	Added I2C and SPI usage. Added pull-up resistor statement for I2C.	2016/10	Z.X.D., S.G.J., Cynthia
2.6.0	Modified I2C Master clock.	2016/12	Y.C.Q., Cynthia
2.7.0	Updated ordering information.	2017/3	X.S.J., Cynthia
2.8.0	Updated section 7.3.1 Communication protocol.	2017/6	S.G.J., Cynthia
2.9.0	Updated section 1.6 Pin layout.	2017/6	Cynthia
3.0.0	Updated section 1.2.2 RF Features and 3.3 Baseband.	2017/8	J.H.P., Cynthia
3.1.0	Updated the following sections: 4.3 System clock (0x66[4:0]), 7.1.1.3 GPIO lookup table (notes), 13.2 Recommended operating condition (supply rise time), 14 Applications. Removed audio function including DMIC, AMIC and SDM.	2017/12	J.H.P., X.W.W., L.X., Cynthia
3.2.0	Updated section 1.4 Ordering information, Added TLSR8266F1KET32 package.	2018/9	YHL, Cynthia

1 Table of contents

1	Overview	8
1.1	Block diagram	8
1.2	Key features.....	9
1.2.1	General features	9
1.2.2	RF Features	10
1.2.3	Features of power management module.....	11
1.2.4	TLSR8266F512/TLSR8266F128/TLSR8266F1K Flash features	11
1.3	Typical applications	12
1.4	Ordering information	12
1.5	Package.....	13
1.6	Pin layout.....	18
1.7	Telink SDK	34
2	Memory and MCU.....	35
2.1	Memory	35
2.1.1	SRAM/Register.....	35
2.1.2	Flash.....	35
2.1.2.1	Page program.....	36
2.1.2.2	Sector erase	36
2.1.2.3	Block erase.....	36
2.1.2.4	Chip erase	36
2.1.2.5	Unique ID.....	36
2.2	MCU.....	36
2.3	Working modes.....	36
2.3.1	Active mode.....	37
2.3.2	Idle mode.....	37
2.3.3	Power-saving mode	37
2.4	Reset, Wakeup and Power down enabling	38
2.5	Wakeup sources	40
2.5.1	Wakeup source - USB	40
2.5.2	Wakeup source – 32kHz timer	40
2.5.3	Wakeup source – pad	40
3	2.4G RF Transceiver.....	42
3.1	Block diagrams.....	42
3.2	Function description.....	42
3.2.1	Turn on/off	42
3.2.2	Air interface data rate and RF channel frequency	42
3.3	Baseband	43
3.3.1	Packet format	43
3.3.2	RSSI	43
4	Clock.....	44
4.1	Clock sources	44

4.2	Register table.....	44
4.3	System clock	46
4.4	Module clock	47
4.4.1	ADC clock	47
5	Timers.....	48
5.1	Timer0~Timer2	48
5.1.1	Register table.....	48
5.1.2	Mode0 (System Clock Mode)	50
5.1.3	Mode1 (GPIO Trigger Mode)	50
5.1.4	Mode2 (GPIO Pulse Width Mode).....	51
5.1.5	Mode3 (Tick Mode)	53
5.1.6	Watchdog	53
5.2	32kHz LTIMER.....	54
5.3	System Timer	54
6	Interrupt System	55
6.1	Interrupt structure.....	55
6.2	Register configuration	55
6.2.1	Enable/Mask interrupt sources	56
6.2.2	Interrupt mode and priority	56
6.2.3	Interrupt source flag.....	57
7	Interface	58
7.1	GPIO.....	58
7.1.1	Basic configuration	58
7.1.1.1	Multiplexed functions.....	58
7.1.1.2	Drive strength	59
7.1.1.3	GPIO lookup table.....	59
7.1.2	Connection relationship between GPIO and related modules	63
7.1.3	Pull-up/Pull-down resistor.....	67
7.2	SWM and SWS	73
7.3	I2C.....	73
7.3.1	Communication protocol.....	73
7.3.2	Register table.....	74
7.3.3	I2C Slave mode	76
7.3.3.1	DMA mode.....	76
7.3.3.2	Mapping mode	77
7.3.4	I2C Master mode	78
7.3.4.1	I2C Master Write transfer	78
7.3.4.2	I2C Master Read transfer	79
7.3.5	I2C and SPI Usage	79
7.4	SPI	80
7.4.1	Register table	80
7.4.2	SPI Master mode	81
7.4.3	SPI Slave mode	82
7.4.4	I2C and SPI Usage	83

7.5	UART	84
8	PWM.....	87
8.1	Register table.....	87
8.2	Enable PWM	90
8.3	Set PWM clock.....	90
8.4	PWM waveform, polarity and output inversion	90
8.4.1	PWM waveform.....	90
8.4.2	Invert PWM output.....	91
8.4.3	Polarity for signal frame	91
8.5	PWM mode.....	92
8.5.1	Select PWM mode	92
8.5.2	Continuous mode	92
8.5.3	Counting mode	93
8.5.4	IR mode.....	93
8.6	PWM interrupt.....	94
9	Keyscan.....	95
9.1	Register table.....	95
9.2	Keyscan enable	100
9.3	Keyscan IO configuration.....	100
9.4	Keyscan flow and frame	102
9.5	Keyscan FIFO buffer	104
10	Quadrature Decoder	105
10.1	Input pin selection	105
10.2	Common mode and double accuracy mode	106
10.3	QDEC interrupt	108
10.4	QDEC reset.....	108
10.5	Other configuration	108
10.6	Register table.....	109
11	ADC.....	111
11.1	ADC clock	111
11.2	Set period	111
11.3	Select ADC input range	112
11.4	Select resolution and sampling time	112
11.5	Select input mode and channel	112
11.6	Enable auto mode and output	113
11.7	ADC done signal.....	113
11.8	ADC status.....	113
11.9	Register table.....	114
12	PGA	117
12.1	Left/Right channel enabling	117
12.2	Input channel selection	117
12.3	Gain setting.....	118
12.4	PGA output	118
12.5	Register table.....	118

13	Key Electrical Specifications	121
13.1	Absolute maximum ratings.....	121
13.2	Recommended operating condition.....	121
13.3	DC characteristics	122
13.4	AC characteristics	122
14	Applications.....	126
14.1	Application example for the TLR8266F512ET32	126
14.1.1	Schematic	126
14.1.2	Layout	128
14.1.3	BOM (Bill of Material).....	128
14.2	Application example for the TLR8266F128ET24	129
14.2.1	Schematic	129
14.2.2	Layout	130
14.2.3	BOM (Bill of Material).....	131

1 Overview

The TLSR8266/TLSR8266F512/TLSR8266F128/TLSR8266F1K is Telink-developed BLE SoC solution which is fully standard compliant and allows easy connectivity with Bluetooth Smart Ready mobile phones, tablets, laptops. The TLSR8266/TLSR8266F512/TLSR8266F128/TLSR8266F1K supports BLE slave and master mode operation, including broadcast, encryption, connection updates, and channel map updates. It's completely RoHS-compliant and 100% lead (Pb)-free.

1.1 Block diagram

The TLSR8266/TLSR8266F512/TLSR8266F128/TLSR8266F1K is designed to offer high integration, ultra-low power application capabilities. It integrates strong 32-bit MCU, BLE/2.4GHz Radio, 16kB SRAM, 128/256/512kB external FLASH (TLSR8266) or 512kB internal Flash (TLSR8266F512) or 128kB internal Flash (TLSR8266F128) or 1024kB internal Flash (TLSR8266F1K), 14bit ADC with PGA, 6-channel PWM, three quadrature decoders, a hardware keyboard scanner (Keyscan), abundant GPIO interfaces, multi-stage power management module and nearly all the peripherals needed for Bluetooth Low Energy applications development.

The system's block diagram is as shown in Figure 1- 1:

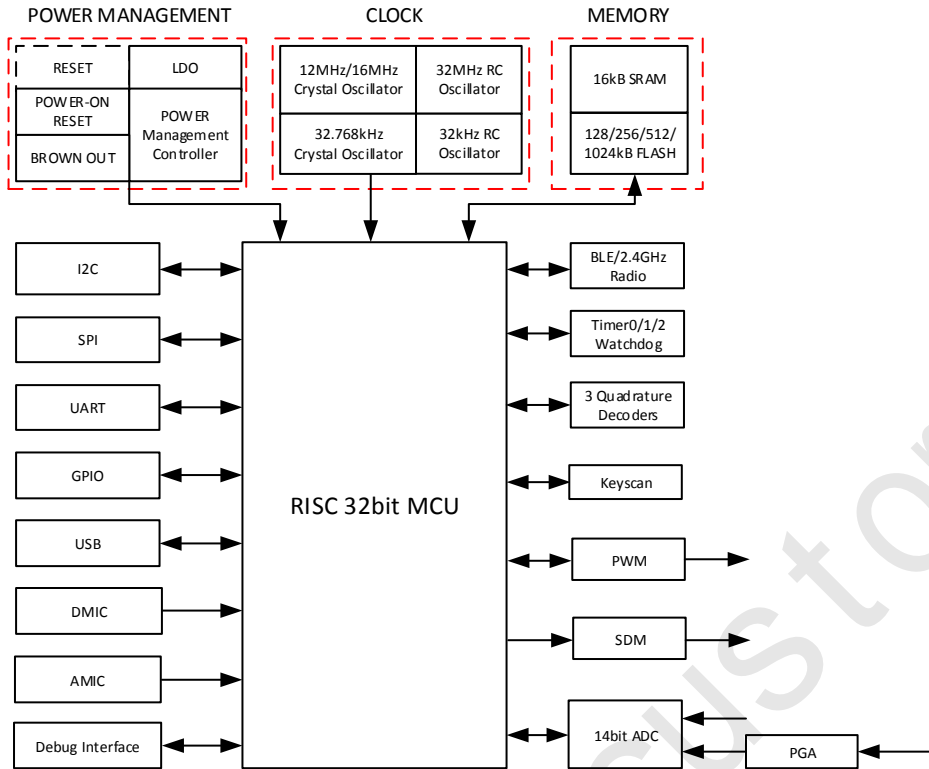


Figure 1- 1 Block diagram of the system

With the high integration level of TLSR8266/TLSR8266F512/TLSR8266F128/TLSR8266F1K, few external components are needed to satisfy customers' ultra-low cost requirements.

1.2 Key features

1.2.1 General features

General features are as follows:

- 1) Embed 32-bit high performance MCU with clock up to 48MHz.
- 2) Program memory: external 128/256/512kB FLASH (TLSR8266) or internal 512kB Flash (TLSR8266F512) or internal 128kB Flash (TLSR8266F128) or internal 1024kB Flash (TLSR8266F1K).
- 3) Data memory: 16kB on-chip SRAM.
- 4) 12MHz/16MHz & 32.768kHz Crystal and 32kHz/32MHz embedded RC oscillator.

- 5) A rich set of I/Os:
 - ✧ TLSR8266: Up to 41/37/22 GPIOs depending on package option;
 - ✧ TLSR8266F512: Up to 35/20 GPIOs depending on package option;
 - ✧ TLSR8266F128: Up to 12 GPIOs;
 - ✧ TLSR8266F1K: Up to 20 GPIOs;
 - ✧ SPI;
 - ✧ I2C;
 - ✧ UART;
 - ✧ USB;
 - ✧ Debug Interface.
- 6) Up to 6 channels of PWM.
- 7) Sensor:
 - ✧ 14bit ADC with PGA;
 - ✧ Temperature sensor.
- 8) Three quadrature decoders.
- 9) Embeds hardware AES.
- 10) Compatible with USB2.0 Full speed mode.
- 11) TLSR8266 & TLSR8266F512 operating temperature range:
 - ✧ ET versions: $-40^{\circ}\text{C}\sim+85^{\circ}\text{C}$ temperature;
 - ✧ AT versions: $-40^{\circ}\text{C}\sim+125^{\circ}\text{C}$ temperature.
- 12) TLSR8266F128 operating temperature range: $-40^{\circ}\text{C}\sim+85^{\circ}\text{C}$.
- 13) TLSR8266F1K operating temperature range: $-40^{\circ}\text{C}\sim+85^{\circ}\text{C}$.

1.2.2 RF Features

RF features include:

- 1) BLE/2.4GHz RF transceiver embedded, working in worldwide 2.4GHz ISM band.
- 2) Bluetooth 4.2 Compliant, 1Mbps and 2.4GHz 2Mbps Boost Mode.
- 3) Rx Sensitivity: -92dBm @ 1Mbps mode.

- 4) RF link data rate up to 2Mbps.
- 5) Tx output power: +7dBm.
- 6) Single-pin antenna interface.
- 7) RSSI monitoring.

1.2.3 Features of power management module

Features of power management module include:

- 1) Embedded LDO.
- 2) Battery monitor: Supports low battery detection.
- 3) Chip power supply: 1.9V~3.6V (with external flash), 2.7V~3.6V (with internal flash)
- 4) Multiple stage power management to minimize power consumption.
- 5) Low power consumption:
 - ✧ Receiver mode current: 13mA
 - ✧ Transmitter mode current: 13mA @ 0dBm power, 19mA @ max power
 - ✧ Suspend mode current: 20uA (IO wakeup)/22uA (Timer wakeup)
 - ✧ Deep sleep mode current: 0.7uA

1.2.4 TLSR8266F512/TLSR8266F128/TLSR8266F1K Flash features

The TLSR8266F512/TLSR8266F128/ TLSR8266F1K embeds Flash with features below:

- 1) TLSR8266F512 Flash: Total 512kB (4Mbits);
- 2) TLSR8266F128 Flash: Total 128kB (1Mbits);
- 3) TLSR8266F1K Flash: Total 1024kB (8Mbits);
- 4) Flexible architecture: 4kB per Sector, 64kB/32kB per block;
- 5) Up to 256 Bytes per programmable page;
- 6) Write protect all or portions of memory;
- 7) Sector erase (4kB);
- 8) Block erase (32kB/64kB);
- 9) Cycle Endurance: 100,000 program/erases;
- 10) Data Retention: typical 20-year retention;

11) TLSR8266F128 Flash encryption protection: Pre-loaded read-only unique ID for chip identification and traceability.

1.3 Typical applications

Typical applications for the TLSR8266/TLSR8266F512/TLSR8266F128/TLSR8266F1K are as follows:

- ✧ Smartphone accessories
- ✧ PC and tablet peripherals, including Mouse / Keyboard
- ✧ Remote Control and 3D glasses
- ✧ Wireless Microphone
- ✧ Health monitoring
- ✧ Sports and fitness tracking
- ✧ Wearable devices

1.4 Ordering information

Table 1- 1 Ordering information of TLSR8266/TLSR8266F512/TLSR8266F128/TLSR8266F1K

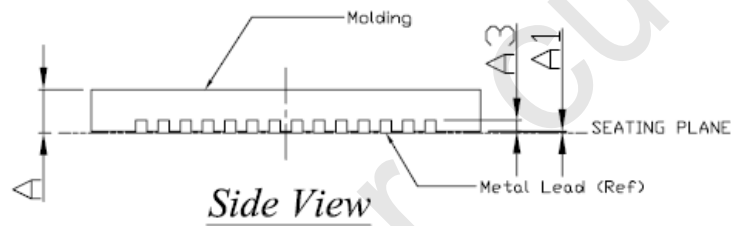
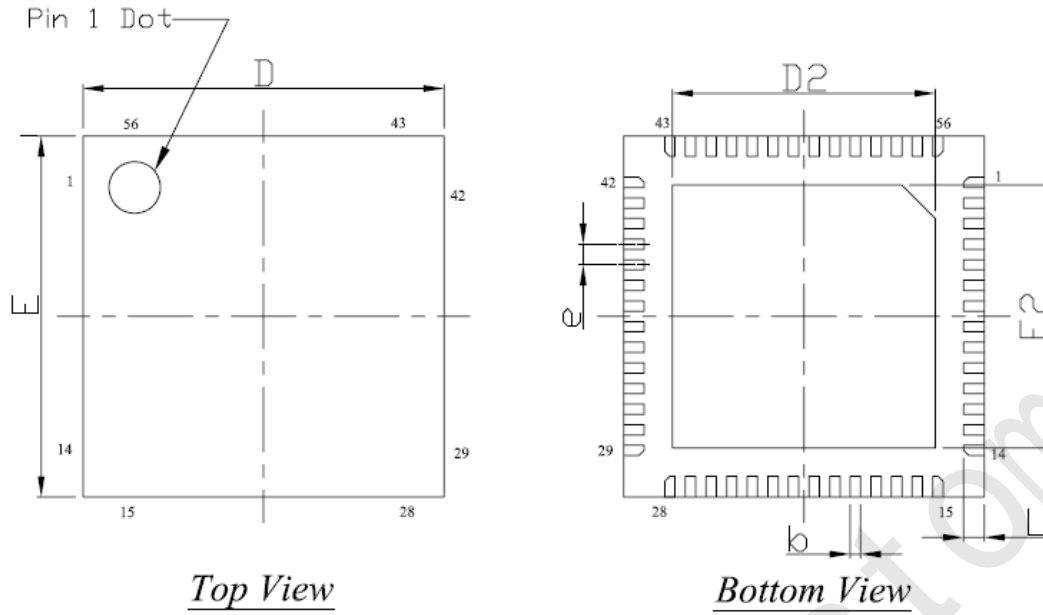
Product Series	Package Type	Temperature Range	Product Part No.	Packing Method	Minimum Order Quantity
TLSR8266	56-pin 7×7mm TQFN	-40°C~+85°C	TLSR8266ET56	TR	3000
		-40°C~+125°C	TLSR8266AT56	TR	3000
	48-pin 7×7mm TQFN	-40°C~+85°C	TLSR8266ET48	TR	3000
		-40°C~+125°C	TLSR8266AT48	TR	3000
	32-pin 5×5mm TQFN	-40°C~+85°C	TLSR8266ET32	TR	3000
		-40°C~+125°C	TLSR8266AT32	TR	3000

Product Series	Package Type	Temperature Range	Product Part No.	Packing Method	Minimum Order Quantity
TLSR8266F512	48-pin 7x7mm TQFN	-40°C~+85°C	TLSR8266F512 ET48	TR	3000
		-40°C~+125°C	TLSR8266F512 AT48	TR	3000
	32-pin 5x5mm TQFN	-40°C~+85°C	TLSR8266F512 ET32	TR	3000
		-40°C~+125°C	TLSR8266F512 AT32	TR	3000
TLSR8266F128	24-pin 4x4mm TQFN	-40°C~+85°C	TLSR8266F128 ET24	TR	3000
TLSR8266F1K	32-pin 5x5mm TQFN	-40°C~+85°C	TLSR8266F1K ET32	TR	3000

*Note: Packing method "TR" means tape and reel.

1.5 Package

Package dimension for the TLSR8266ET/AT56, TLSR8266ET/AT48/TLSR8266F512ET/AT48, TLSR8266ET/AT32/TLSR8266F512ET/AT32/TLSR8266F1KET32 and TLSR8266F128ET24 are shown as Figure 1- 2, Figure 1- 3, Figure 1- 4 and Figure 1- 5, respectively.

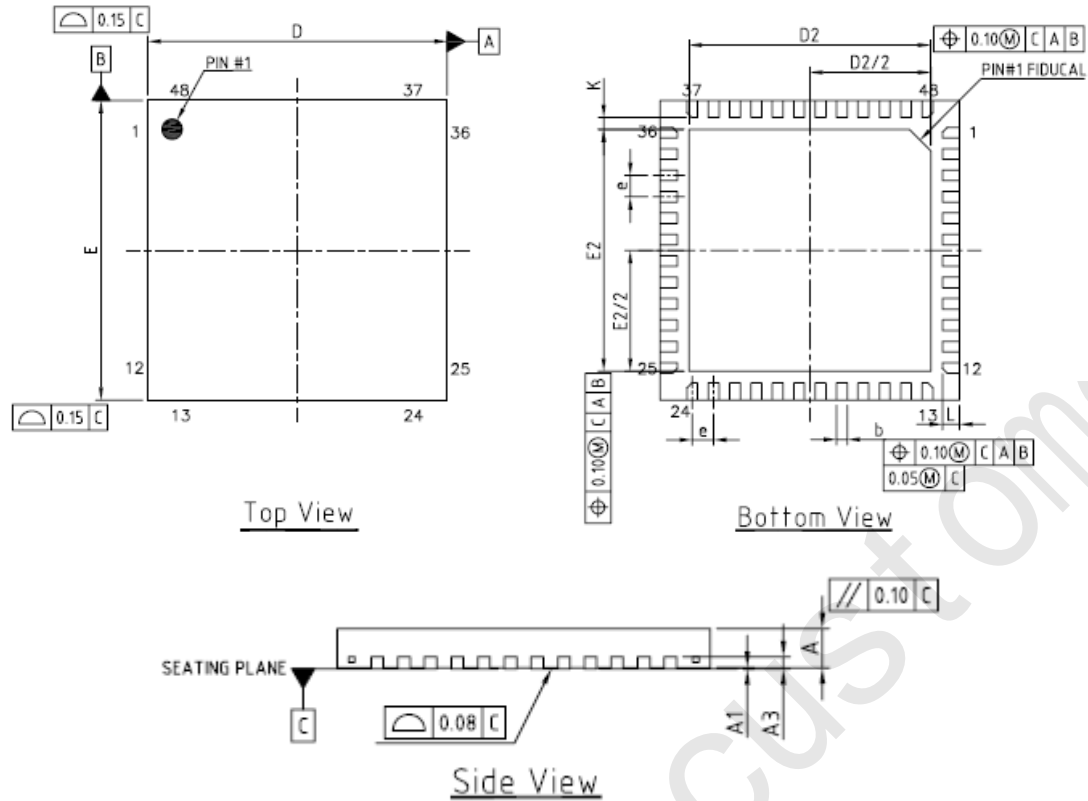


SYMBOL	DIMENSION (MM)			DIMENSION (MIL)		
	Min	Nor	Max	Min	Nor	Max
A	0.70	0.75	0.80	27.6	29.5	31.5
A1	0.00	0.02	0.05	0.0	0.79	1.97
A3	0.20REF			7.9REF		
b	0.15	0.20	0.25	5.9	7.9	9.8
D	6.90	7.00	7.10	271.7	275.6	279.5
D2	4.95	5.10	5.25	194.9	200.8	206.7
E	6.90	7.00	7.10	271.7	275.6	279.5
E2	4.95	5.10	5.25	194.9	200.8	206.7
e	0.40TYP			15.7TYP		
L	0.30	0.40	0.50	11.8	15.7	19.7

NOTE:

1. DIMENSIONING AND TOLERANCE CONFORM TO MD-220.
2. CONTROLLING DIMENSION : MILLIMETERS.
3. BARE LEADFRAME THICKNESS IS 0.203mm (8 mil)

Figure 1- 2 Package dimension for the TLSR8266ET/AT56 (Unit: mm)

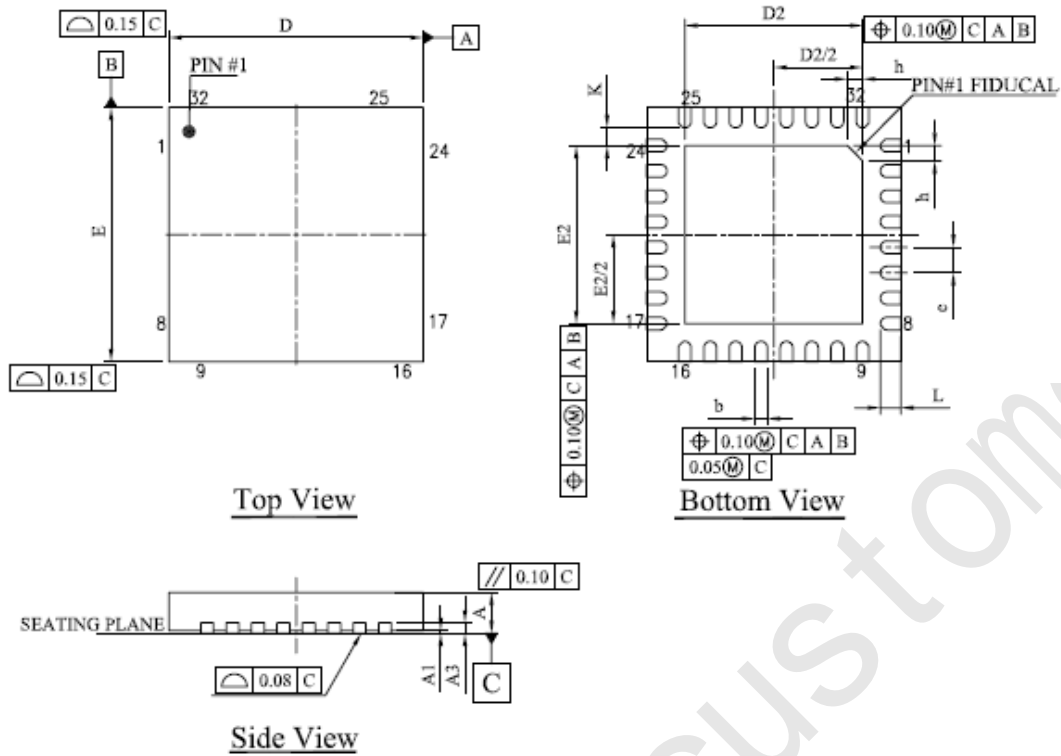


SYMBOL	DIMENSION (MM)			DIMENSION (MIL)		
	MIN.	NOM.	MAX.	MIN.	NOM.	MAX.
A	0.70	0.75	0.80	27.6	29.5	31.5
A1	0	0.02	0.05	0	0.79	1.97
A3	0.20 REF			7.9 REF		
b	0.18	0.25	0.30	7.1	9.8	11.8
D	6.90	7.00	7.10	271.7	275.6	279.5
D2	5.60	5.65	5.70	220.5	222.4	224.4
E	6.90	7.00	7.10	271.7	275.6	279.5
E2	5.60	5.65	5.70	220.5	222.4	224.4
e	0.50 BSC			19.7BSC		
K	0.20	--	--	7.9	--	--
L	0.35	0.40	0.45	13.8	15.7	17.7

NOTE:

1. DIMENSIONING AND TOLERANCING CONFORM TO ASME Y14.5M-1994.
2. REFER TO JEDEC STD. MO-220 WKKD-4.
3. DIMENSION "b" APPLIES TO METALLIZED TERMINAL AND IS MEASURED BETWEEN 0.18 AND 0.30mm FROM TERMINAL TIP.
4. LEADFRAME MATERIAL IS 194FH AND THICKNESS IS 0.203MM (8 MIL).
5. DIMENSION "D"&"E" WILL INCLUDE ALL SIDE BURR INDUCED DURING ASSEMBLY.

Figure 1- 3 Package dimension for the TLR8266ET/AT48/
TLR8266F512ET/AT48 (Unit: mm)

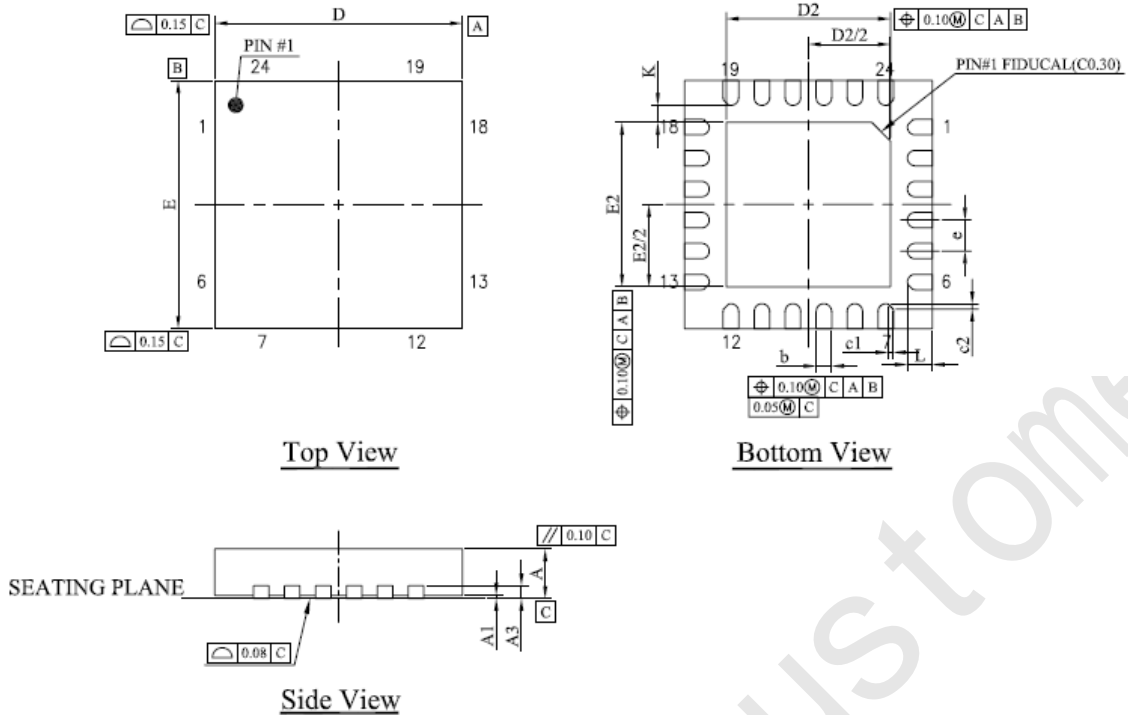


SYMBOL	DIMENSION (MM)			DIMENSION (MIL)		
	MIN.	NOM.	MAX.	MIN.	NOM.	MAX.
A	0.70	0.75	0.80	27.6	29.5	31.5
A1	0	0.02	0.05	0	0.8	2.0
A3	—	0.20REF	—	—	7.9REF	—
b	0.18	0.25	0.30	7.1	9.8	11.8
D	4.90	5.00	5.10	192.9	196.9	200.8
D2	3.40	3.50	3.60	133.9	137.8	141.7
E	4.90	5.00	5.10	192.9	196.9	200.8
E2	3.40	3.50	3.60	133.9	137.8	141.7
e	—	0.50TYP	—	—	19.7TYP	—
K	0.20	—	—	7.9	—	—
L	0.35	0.40	0.45	13.8	15.7	17.7
h	0.30	0.35	0.40	11.8	13.8	15.7

NOTE:

1. DIMENSIONING AND TOLERANCING CONFORM TO ASME Y14.5M-1994.
2. POD REF BASED ON CUSTOMER SPECS.
3. DIMENSION "b" APPLIES TO METALLIZED TERMINAL AND IS MEASURED BETWEEN 0.18 AND 0.30mm FROM TERMINAL TIP.
4. LEADFRAME MATERIAL IS 194FH AND THICKNESS IS 0.203MM (8 MIL).
5. DIMENSION "D" & "E" WILL INCLUDE ALL SIDE BURR INDUCED DURING ASSEMBLY.

Figure 1- 4 Package dimension for the TLSR8266ET/AT32/
 TLSR8266F512ET/AT32/ TLSR8266F1KET32 (Unit: mm)



SYMBOL	DIMENSION (MM)			DIMENSION (MIL)		
	MIN.	NOM.	MAX.	MIN.	NOM.	MAX.
A	0.70	0.75	0.80	27.6	29.5	31.5
A1	0	0.02	0.05	0	0.8	2.0
A3	---	0.20REF	---	---	7.9REF	---
b	0.18	0.25	0.30	7.1	9.8	11.8
D	3.90	4.00	4.10	153.5	157.5	161.4
D2	2.55	2.65	2.75	100.4	104.3	108.3
E	3.90	4.00	4.10	153.5	157.5	161.4
E2	2.55	2.65	2.75	100.4	104.3	108.3
e	---	0.50BSC	---	---	19.7BSC	---
K	0.20	---	---	7.9	---	---
L	0.35	0.40	0.45	13.8	15.7	17.7
c1	---	0.08	---	---	3.1	---
c2	---	0.08	---	---	3.1	---

NOTE:

1. DIMENSIONING AND TOLERANCING CONFORM TO ASME Y14.5M-1994.
2. REFER TO JEDEC STD.MO-220 WGGD-6
3. DIMENSION "b" APPLIES TO METALLIZED TERMINAL AND IS MEASURED BETWEEN 0.18 AND 0.30mm FROM TERMINAL TIP.
4. LEADFRAME THICKNESS IS 0.203MM (8 MIL).
5. DIMENSION "D" & "E" WILL INCLUDE ALL SIDE BURR INDUCED DURING ASSEMBLY.

Figure 1- 5 Package dimension for TLSR8266F128ET24

1.6 Pin layout

Pin assignment for the TLSR8266ET/AT56 is as shown in Figure 1- 6:

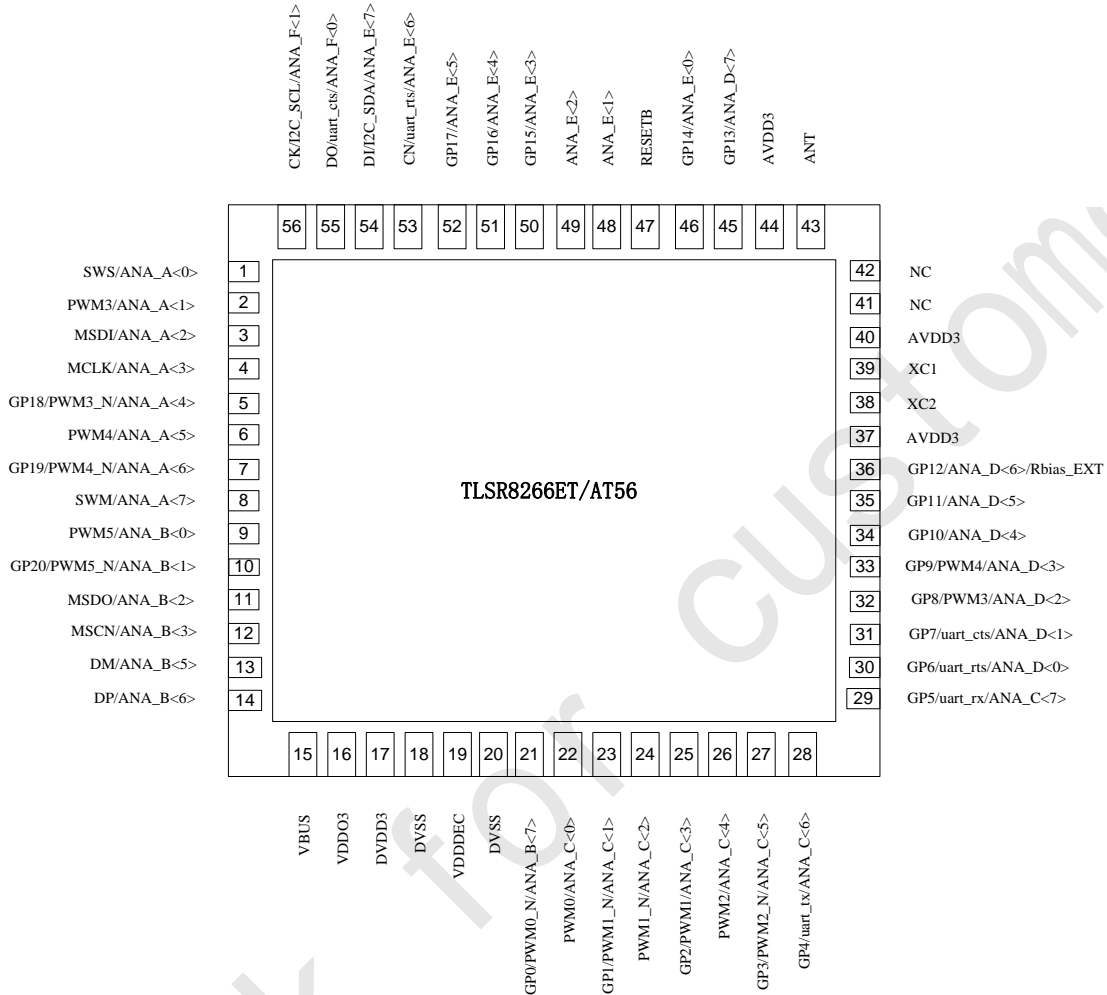


Figure 1- 6 Pin assignment for the TLSR8266ET/AT56

Functions of 56pins for the TLSR8266ET/AT56 are described in Table 1-2:

Table 1- 2 Pin functions for the TLSR8266ET/AT56

QFN56 7X7			
No.	Pin Name	Type	Description
1	SWS/ANA_A<0>	Digital I/O	Single wire slave/GPIO/ANA_A<0>
2	PWM3/ANA_A<1>	Digital I/O	PWM3 output/GPIO/ ANA_A<1>
3	MSDI/ANA_A<2>	Digital I/O	Memory SPI data input/GPIO/ANA_A<2>
4	MCLK/ANA_A<3>	Digital I/O	Memory SPI clock/GPIO/ANA_A<3>
5	GP18/PWM3_N/ANA_A<4>	Digital I/O	GPIO18/PWM3 inverting output/ANA_A<4>
6	PWM4/ANA_A<5>	Digital I/O	PWM4 output/GPIO/ANA_A<5>

QFN56 7X7			
No.	Pin Name	Type	Description
7	GP19/PWM4_N/ANA_A<6>	Digital I/O	GPIO19/PWM4 inverting output/ANA_A<6>
8	SWM/ANA_A<7>	Digital I/O	Single Wire Master/GPIO/ANA_A<7>
9	PWM5/ANA_B<0>	Digital I/O	PWM5 output/GPIO/ANA_B<0>
10	GP20/PWM5_N/ANA_B<1>	Digital I/O	GPIO20/PWM5 inverting output/ ANA_B<1>
11	MSDO/ANA_B<2>	Digital I/O	Memory SPI data output/GPIO/ANA_B<2>
12	MSCN/ANA_B<3>	Digital I/O	Memory SPI chip-select(Active low)/GPIO/ ANA_B<3>
13	DM/ANA_B<5>	Digital I/O	USB data Minus/GPIO/ANA_B<5>
14	DP/ANA_B<6>	Digital I/O	USB data Positive/GPIO/ANA_B<6>
15	VBUS	PWR	USB 5V supply
16	VDDO3	PWR	5V-to-3V LDO output
17	DVDD3	PWR	3.3V IO supply
18	DVSS	GND	Digital LDO ground
19	VDDDEC	PWR	Digital LDO 1.8V output
20	DVSS	GND	Digital LDO ground
21	GP0/PWM0_N/ANA_B<7>	Digital I/O	GPIO0/ PWM0 inverting output /ANA_B<7>
22	PWM0/ANA_C<0>	Digital I/O	PWM0 output/GPIO/ANA_C<0>
23	GP1/PWM1_N/ANA_C<1>	Digital I/O	GPIO1/PWM1 inverting output/ANA_C<1>
24	PWM1_N/ANA_C<2>	Digital I/O	PWM1 inverting output/GPIO/ANA_C<2>/ ADC input
25	GP2/PWM1/ANA_C<3>	Digital I/O	GPIO2/PWM1 output/ANA_C<3>/ ADC input
26	PWM2/ANA_C<4>	Digital I/O	PWM2 output/GPIO/ ANA_C<4>/ ADC input
27	GP3/PWM2_N/ANA_C<5>	Digital I/O	GPIO3/PWM2 inverting output/ ANA_C<5>/ ADC input
28	GP4/uart_tx/ANA_C<6>	Digital I/O	GPIO4/UART_TX/ ANA_C<6>/ ADC input
29	GP5/uart_rx/ANA_C<7>	Digital I/O	GPIO5/UART_RX/ ANA_C<7>/ ADC input
30	GP6/uart_rts/ANA_D<0>	Digital I/O	GPIO6/UART_RTS / ANA_D<0>/ ADC input
31	GP7/uart_cts/ANA_D<1>	Digital I/O	GPIO7/UART_CTS / ANA_D<1>/ ADC input
32	GP8/PWM3/ANA_D<2>	Digital I/O	GPIO8/ PWM3 output/ ANA_D<2>/ ADC input
33	GP9/PWM4/ANA_D<3>	Digital I/O	GPIO9/ PWM4 output/ ANA_D<3>/ ADC input
34	GP10/ANA_D<4>	Digital I/O	GPIO10/ ANA_D<4>/ (optional) 32kHz crystal input/ ADC input
35	GP11/ANA_D<5>	Digital I/O	GPIO11/ ANA_D<5>/ (optional) 32kHz crystal output/ ADC input
36	GP12/ANA_D<6>/Rbias_EXT	Digital I/O	GPIO12/ ANA_D<6>/off-chip bias resistor
37	AVDD3	PWR	Analog 3.3V supply
38	XC2	Analog O	12MHz/16MHz crystal output
39	XC1	Analog I	12MHz/16MHz crystal input
40	AVDD3	PWR	Analog 3.3V supply

QFN56 7X7			
No.	Pin Name	Type	Description
41	NC		Not connected
42	NC		Not connected
43	ANT	Analog I/O	RF antenna
44	AVDD3	PWR	Analog 3.3V supply
45	GP13/ANA_D<7>	Digital I/O	GPIO13/ ANA_D<7>
46	GP14/ANA_E<0>	Digital I/O	GPIO14/ ANA_E<0>
47	RESETB	RESET	Power on reset, active low
48	ANA_E<1>	Digital I/O	GPIO/ANA_E<1>
49	ANA_E<2>	Digital I/O	GPIO/ANA_E<2>
50	GP15/ANA_E<3>	Digital I/O	GPIO15/ ANA_E<3>
51	GP16/ANA_E<4>	Digital I/O	GPIO16/ ANA_E<4>
52	GP17/ANA_E<5>	Digital I/O	GPIO17/ ANA_E<5>
53	CN/uart_rts/ANA_E<6>	Digital I/O	SPI chip select. Active low/ UART_RTS /GPIO/ ANA_E<6>
54	DI/I2C_SDA/ANA_E<7>	Digital I/O	SPI data input/I2C_SDA/GPIO/ ANA_E<7>
55	DO/uart_cts/ANA_F<0>	Digital I/O	SPI data output/ UART_CTS /GPIO/ ANA_F<0>
56	CK/I2C_SCL/ANA_F<1>	Digital I/O	SPI clock/I2C_SCK/GPIO/ ANA_F<1>

*Note:

1) Pins with bold typeface can be used as GPIOs. All GPIOs have configurable pull-up/pull-down resistor.

2) Pin drive strength: All pins support drive strength up to 4mA (4mA when “DS”=1, 0.7mA when “DS”=0) with the following exceptions: ANA_B<6> and ANA_B<5> support high drive strength up to 8mA (8mA when “DS”=1, 4mA when “DS”=0); ANA_E<5> and ANA_E<4> support high drive strength up to 16mA (16mA when “DS”=1, 12mA when “DS”=0). “DS” configuration will take effect when the pin is used as output. Please refer to section 7.1 for corresponding “DS” register address and the default setting.

3) Selectable ADC input channels: ANA_C<2>~ANA_C<7>, ANA_D<0>~ANA_D<5>.

Pin assignment for the TLSR8266ET/AT48 is as shown in Figure 1- 7:

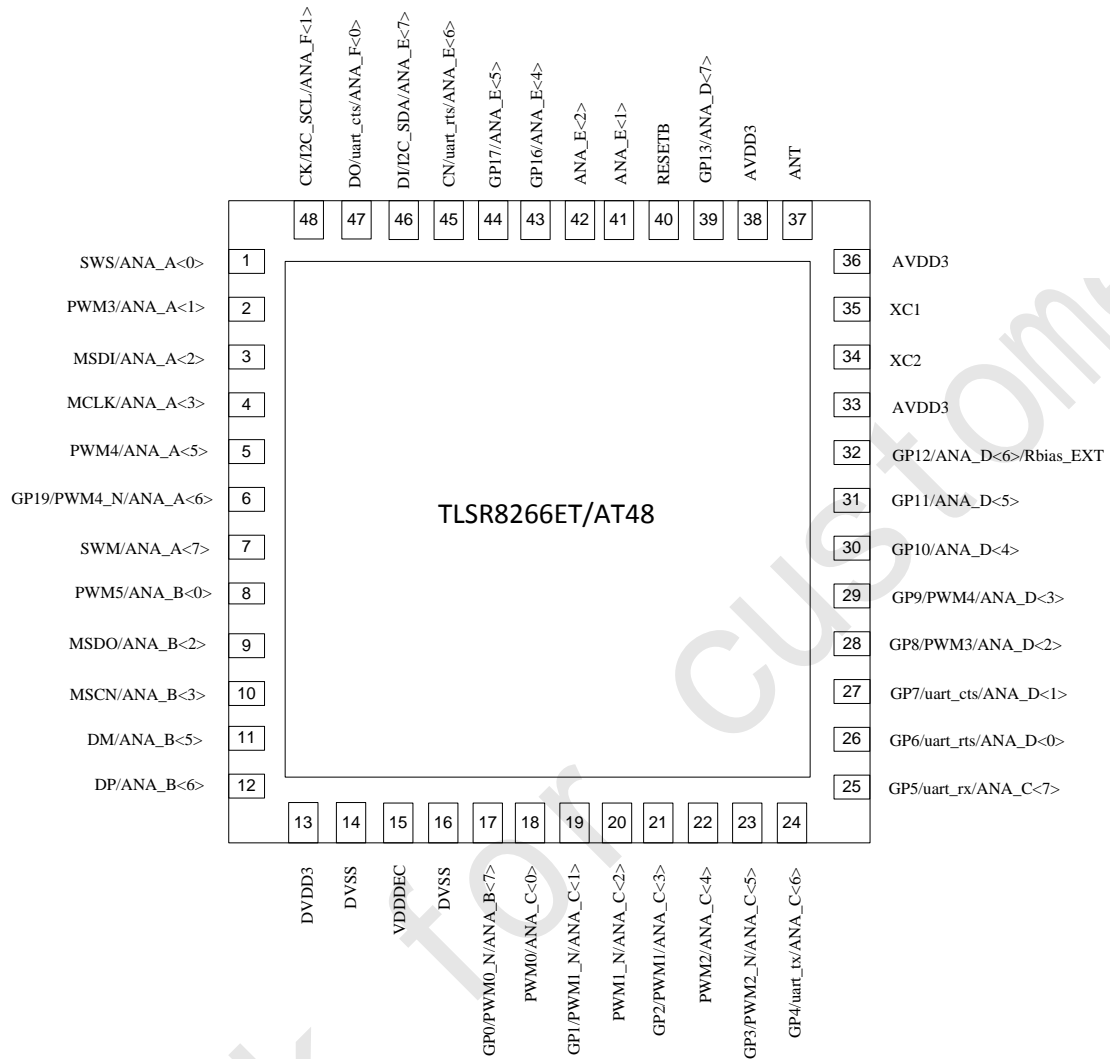


Figure 1- 7 Pin assignment for the TLSR8266ET/AT48

Functions of 48 pins for the TLSR8266ET/AT48 are described in Table 1-3:

Table 1- 3 Pin functions for the TLSR8266ET/AT48

QFN48 7X7			
No.	Pin Name	Type	Description
1	SWS/ANA_A<0>	Digital I/O	Single wire slave/GPIO/ANA_A<0>
2	PWM3/ANA_A<1>	Digital I/O	PWM3 output/GPIO/ ANA_A<1>
3	MSDI/ANA_A<2>	Digital	Memory SPI data input/GPIO/ANA_A<2>

QFN48 7X7			
No.	Pin Name	Type	Description
		I/O	
4	MCLK/ANA_A<3>	Digital I/O	Memory SPI clock/GPIO/ANA_A<3>
5	PWM4/ANA_A<5>	Digital I/O	PWM4 output/GPIO/ANA_A<5>
6	GP19/PWM4_N/ANA_A<6>	Digital I/O	GPIO19/PWM4 inverting output/ANA_A<6>
7	SWM/ANA_A<7>	Digital I/O	Single Wire Master/GPIO/ANA_A<7>
8	PWM5/ANA_B<0>	Digital I/O	PWM5 output/GPIO/ANA_B<0>
9	MSDO/ANA_B<2>	Digital I/O	Memory SPI data output/GPIO/ANA_B<2>
10	MSCN/ANA_B<3>	Digital I/O	Memory SPI chip-select(Active low)/GPIO/ANA_B<3>
11	DM/ANA_B<5>	Digital I/O	USB data Minus/GPIO/ANA_B<5>
12	DP/ANA_B<6>	Digital I/O	USB data Positive/GPIO/ANA_B<6>
13	DVDD3	PWR	3.3V IO supply
14	DVSS	GND	Digital LDO ground
15	VDDDEC	PWR	Digital LDO 1.8V output
16	DVSS	GND	Digital LDO ground
17	GP0/PWM0_N/ANA_B<7>	Digital I/O	GPIO0/PWM0 inverting output/ANA_B<7>
18	PWM0/ANA_C<0>	Digital I/O	PWM0 output/GPIO/ANA_C<0>
19	GP1/PWM1_N/ANA_C<1>	Digital I/O	GPIO1/PWM1 inverting output/ANA_C<1>
20	PWM1_N/ANA_C<2>	Digital I/O	PWM1 inverting output/GPIO/ANA_C<2>/ ADC input
21	GP2/PWM1/ANA_C<3>	Digital I/O	GPIO2/PWM1 output/ANA_C<3>/ ADC input
22	PWM2/ANA_C<4>	Digital I/O	PWM2 output/GPIO/ ANA_C<4>/ ADC input
23	GP3/PWM2_N/ANA_C<5>	Digital I/O	GPIO3/PWM2 inverting output/ ANA_C<5>/ ADC input
24	GP4/uart_tx/ANA_C<6>	Digital I/O	GPIO4/UART_TX/ ANA_C<6>/ ADC input
25	GP5/uart_rx/ANA_C<7>	Digital I/O	GPIO5/UART_RX/ ANA_C<7>/ ADC input
26	GP6/uart_rts/ANA_D<0>	Digital I/O	GPIO6/UART_RTS / ANA_D<0>/ ADC input
27	GP7/uart_cts/ANA_D<1>	Digital I/O	GPIO7/UART_CTS / ANA_D<1>/ ADC input
28	GP8/PWM3/ANA_D<2>	Digital I/O	GPIO8/ PWM3 output/ANA_D<2>/ ADC input

QFN48 7X7			
No.	Pin Name	Type	Description
29	GP9/PWM4/ANA_D<3>	Digital I/O	GPIO9/ PWM4 output/ANA_D<3>/ ADC input
30	GP10/ANA_D<4>	Digital I/O	GPIO10/ ANA_D<4>/ (optional) 32kHz crystal input/ ADC input
31	GP11/ANA_D<5>	Digital I/O	GPIO11/ ANA_D<5>/ (optional) 32kHz crystal output/ ADC input
32	GP12/ANA_D<6>/Rbias_EXT	Digital I/O	GPIO12/ ANA_D<6>/off-chip bias resistor
33	AVDD3	PWR	Analog 3.3V supply
34	XC2	Analog O	12MHz/16MHz crystal output
35	XC1	Analog I	12MHz/16MHz crystal input
36	AVDD3	PWR	Analog 3.3V supply
37	ANT	Analog O	RF antenna
38	AVDD3	PWR	Analog 3.3V supply
39	GP13/ANA_D<7>	Digital I/O	GPIO13/ ANA_D<7>
40	RESETB	RESET	Power on reset, active low
41	ANA_E<1>	Digital I/O	GPIO/ANA_E<1>
42	ANA_E<2>	Digital I/O	GPIO/ ANA_E<2>
43	GP16/ANA_E<4>	Digital I/O	GPIO16/ ANA_E<4>
44	GP17/ANA_E<5>	Digital I/O	GPIO17/ ANA_E<5>
45	CN/uart_rts/ANA_E<6>	Digital I/O	SPI chip select. Active low/ UART_RTS /GPIO/ ANA_E<6>
46	DI/I2C_SDA/ANA_E<7>	Digital I/O	SPI data input/I2C_SDA/GPIO/ ANA_E<7>
47	DO/uart_cts/ANA_F<0>	Digital I/O	SPI data output/ UART_CTS /GPIO/ ANA_F<0>
48	CK/I2C_SCL/ANA_F<1>	Digital I/O	SPI clock/I2C_SCK/GPIO/ ANA_F<1>

*Note:

1) Pins with bold typeface can be used as GPIOs. All GPIOs have configurable pull-up/pull-down resistor.

2) Pin drive strength: All pins support drive strength up to 4mA (4mA when “DS”=1, 0.7mA when “DS”=0) with the following exceptions: ANA_B<6> and ANA_B<5> support high drive strength up to 8mA (8mA when “DS”=1, 4mA when “DS”=0); ANA_E<5> and ANA_E<4> support high drive strength up to 16mA (16mA when “DS”=1, 12mA when “DS”=0). “DS” configuration will take effect when the pin is used

as output. Please refer to section 7.1 for corresponding “DS” register address and the default setting.

3) Selectable ADC input channels: ANA_C<2>~ANA_C<7>, ANA_D<0>~ANA_D<5>.

Pin assignment for the TLSR8266ET/AT32 is as shown in Figure 1- 8:

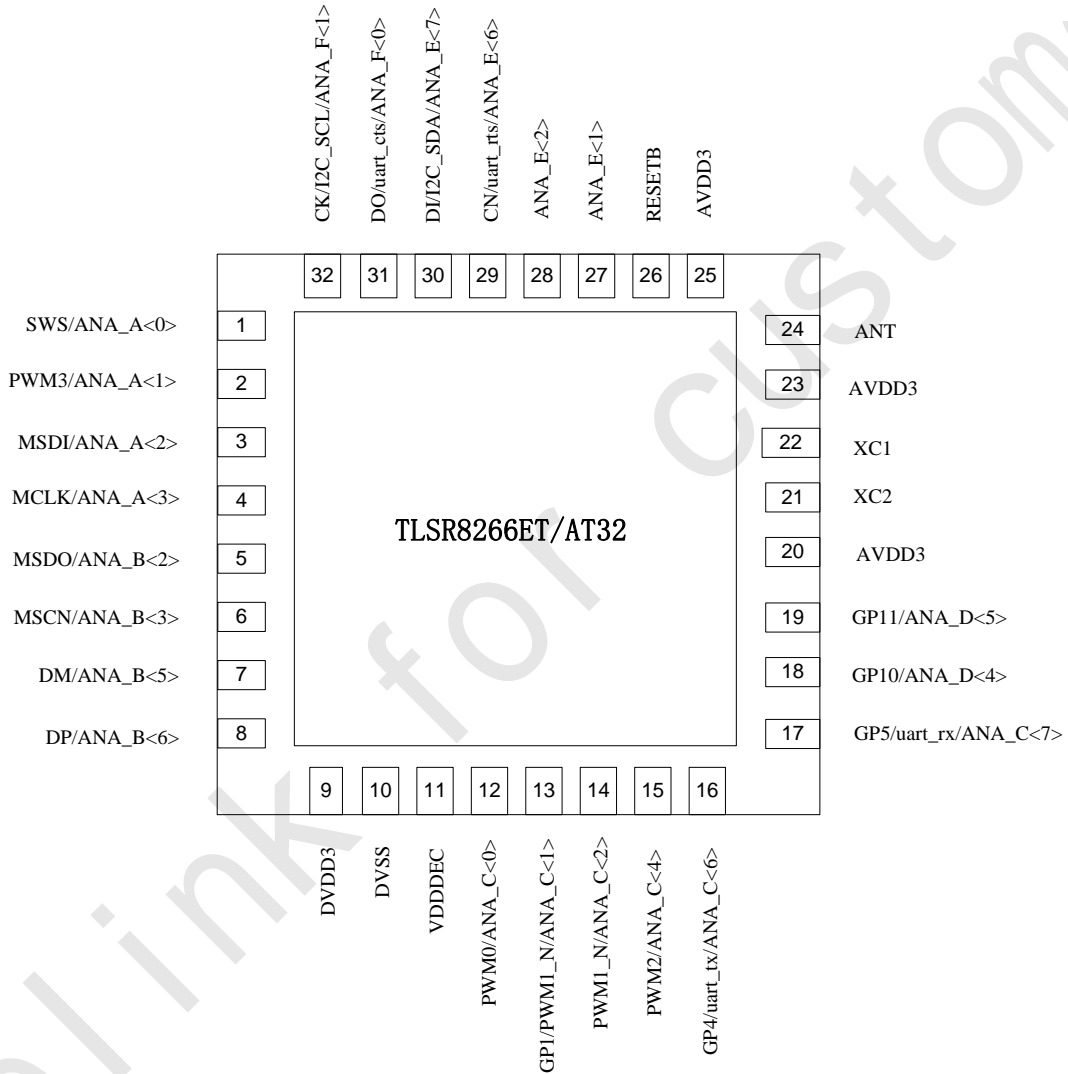


Figure 1- 8 Pin assignment for the TLSR8266ET/AT32

Functions of 32 pins for the TLSR8266ET/AT32 are described in Table 1-4:

Table 1- 4 Pin functions for the TLSR8266ET/AT32

QFN32 5X5			
No.	Pin Name	Pin Type	Description
1	SWS/ANA_A<0>	Digital I/O	Single wire slave/GPIO/ANA_A<0>
2	PWM3/ANA_A<1>	Digital I/O	PWM3 output/GPIO/ ANA_A<1>
3	MSDI/ANA_A<2>	Digital I/O	Memory SPI data input/GPIO/ANA_A<2>
4	MCLK/ANA_A<3>	Digital I/O	Memory SPI clock/GPIO/ANA_A<3>
5	MSDO/ANA_B<2>	Digital I/O	Memory SPI data output/GPIO/ANA_B<2>
6	MSCN/ANA_B<3>	Digital I/O	Memory SPI chip-select(Active low)/GPIO/ ANA_B<3>
7	DM/ANA_B<5>	Digital I/O	USB data Minus/GPIO/ANA_B<5>
8	DP/ANA_B<6>	Digital I/O	USB data Positive/GPIO/ANA_B<6>
9	DVDD3	PWR	3.3V IO supply
10	DVSS	GND	Digital LDO ground
11	VDDDEC	PWR	Digital LDO 1.8V output
12	PWM0/ANA_C<0>	Digital I/O	PWM0 output/GPIO/ANA_C<0>
13	GP1/PWM1_N/ ANA_C<1>	Digital I/O	GPIO1/PWM1 inverting output/ANA_C<1>
14	PWM1_N/ANA_C<2>	Digital I/O	PWM1 inverting output/GPIO/ANA_C<2>/ ADC input
15	PWM2/ANA_C<4>	Digital I/O	PWM2 output/GPIO/ ANA_C<4>/ ADC input
16	GP4/uart_tx/ANA_C<6>	Digital I/O	GPIO4/UART_TX/ ANA_C<6>/ ADC input
17	GP5/uart_rx/ANA_C<7>	Digital I/O	GPIO5/UART_RX/ ANA_C<7>/ ADC input
18	GP10/ANA_D<4>	Digital I/O	GPIO10/ ANA_D<4>/ (optional) 32kHz crystal input/ ADC input
19	GP11/ANA_D<5>	Digital I/O	GPIO11/ ANA_D<5>/ (optional) 32kHz crystal output/ ADC input
20	AVDD3	PWR	Analog 3.3V supply
21	XC2	Analog O	12MHz/16MHz crystal output
22	XC1	Analog I	12MHz/16MHz crystal input
23	AVDD3	PWR	Analog 3.3V supply
24	ANT	Analog I/O	RF antenna
25	AVDD3	PWR	Analog 3.3V supply
26	RESETB	RESET	Power on reset, active low
27	ANA_E<1>	Digital I/O	GPIO/ANA_E<1>
28	ANA_E<2>	Digital I/O	GPIO/ ANA_E<2>
29	CN/uart_rts/ANA_E<6>	Digital I/O	SPI chip select. Active low/ UART_RTS /GPIO/ ANA_E<6>
30	DI/I2C_SDA/ANA_E<7>	Digital I/O	SPI data input/I2C_SDA/GPIO/ ANA_E<7>

QFN32 5X5			
No.	Pin Name	Pin Type	Description
31	DO/uart_cts/ANA_F<0>	Digital I/O	SPI data output/ UART_CTS /GPIO/ ANA_F<0>
32	CK/I2C_SCL/ANA_F<1>	Digital I/O	SPI clock/I2C_SCK/GPIO/ ANA_F<1>

*Note:

1) Pins with bold typeface can be used as GPIOs. All GPIOs have configurable pull-up/pull-down resistor.

2) Pin drive strength: All pins support drive strength up to 4mA (4mA when “DS”=1, 0.7mA when “DS”=0) with the following exceptions: ANA_B<6> and ANA_B<5> support high drive strength up to 8mA (8mA when “DS”=1, 4mA when “DS”=0). “DS” configuration will take effect when the pin is used as output. Please refer to section 7.1 for corresponding “DS” register address and the default setting.

3) Selectable ADC input channels: ANA_C<2>, ANA_C<4>, ANA_C<6>~ANA_C<7>, ANA_D<4>~ANA_D<5>.

Pin assignment for the TLSR8266F512ET/AT48 is as shown in Figure 1- 9:

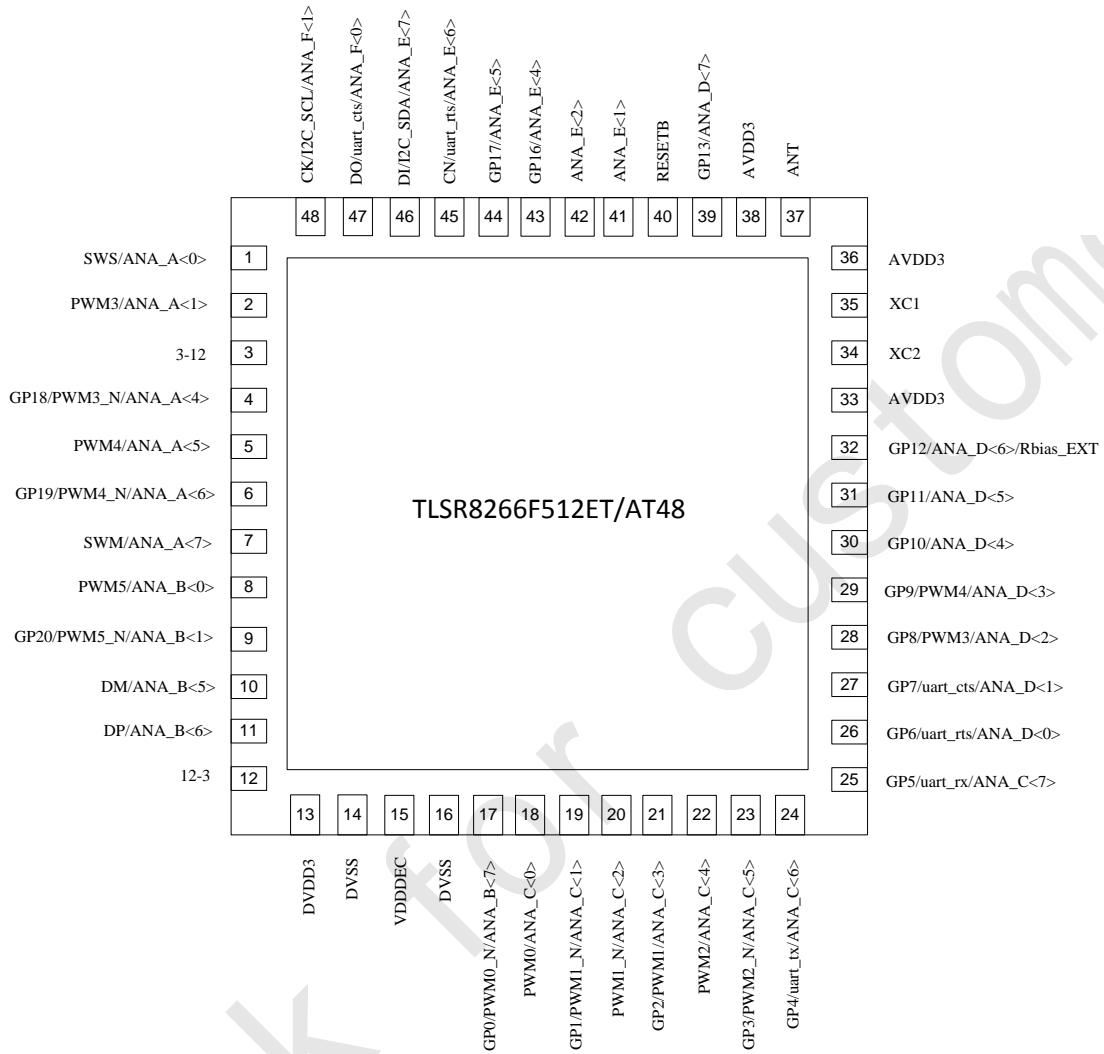


Figure 1- 9 Pin assignment for the TLSR8266F512ET/AT48

Functions of 48 pins for the TLSR8266F512ET/AT48 are described in Table 1-5:

Table 1- 5 Pin functions for the TLSR8266F512ET/AT48

QFN48 7X7			
No.	Pin Name	Type	Description
1	SWS/ANA_A<0>	Digital I/O	Single wire slave/GPIO/ANA_A<0>
2	PWM3/ANA_A<1>	Digital I/O	PWM3 output/GPIO/ ANA_A<1>
3	3-12	-	This pin should be connected to Pin #12
4	GP18/PWM3_N/ANA_A<4>	Digital I/O	GPIO18/PWM3 inverting output/ANA_A<4>
5	PWM4/ANA_A<5>	Digital I/O	PWM4 output/GPIO/ANA_A<5>
6	GP19/PWM4_N/ANA_A<6>	Digital I/O	GPIO19/PWM4 inverting output/ANA_A<6>
7	SWM/ANA_A<7>	Digital I/O	Single Wire Master/GPIO/ANA_A<7>
8	PWM5/ANA_B<0>	Digital I/O	PWM5 output/GPIO/ANA_B<0>
9	GP20/PWM5_N/ANA_B<1>	Digital I/O	GPIO20/PWM5 inverting output/ ANA_B<1>
10	DM/ANA_B<5>	Digital I/O	USB data Minus/GPIO/ANA_B<5>
11	DP/ANA_B<6>	Digital I/O	USB data Positive/GPIO/ANA_B<6>
12	12-3	-	This pin should be connected to Pin #3
13	DVDD3	PWR	3.3V IO supply
14	DVSS	GND	Digital LDO ground
15	VDDDEC	PWR	Digital LDO 1.8V output
16	DVSS	GND	Digital LDO ground
17	GP0/PWM0_N/ANA_B<7>	Digital I/O	GPIO0/PWM0 inverting output/ANA_B<7>
18	PWM0/ANA_C<0>	Digital I/O	PWM0 output/GPIO/ANA_C<0>
19	GP1/PWM1_N/ ANA_C<1>	Digital I/O	GPIO1/PWM1 inverting output/ANA_C<1>
20	PWM1_N/ANA_C<2>	Digital I/O	PWM1 inverting output/GPIO/ANA_C<2>/ ADC input
21	GP2/PWM1/ANA_C<3>	Digital I/O	GPIO2/PWM1 output/ANA_C<3>/ ADC input
22	PWM2/ANA_C<4>	Digital I/O	PWM2 output/GPIO/ ANA_C<4>/ ADC input
23	GP3/PWM2_N/ANA_C<5>	Digital I/O	GPIO3/PWM2 inverting output/ ANA_C<5>/ ADC input
24	GP4/uart_tx/ANA_C<6>	Digital I/O	GPIO4/UART_TX/ ANA_C<6>/ ADC input

QFN48 7X7			
No.	Pin Name	Type	Description
25	GP5/uart_rx/ANA_C<7>	Digital I/O	GPIO5/UART_RX/ ANA_C<7>/ ADC input
26	GP6/uart_rts/ANA_D<0>	Digital I/O	GPIO6/UART_RTS / ANA_D<0>/ ADC input
27	GP7/uart_cts/ANA_D<1>	Digital I/O	GPIO7/UART_CTS / ANA_D<1>/ ADC input
28	GP8/PWM3/ANA_D<2>	Digital I/O	GPIO8/ PWM3 output/ANA_D<2>/ ADC input
29	GP9/PWM4/ANA_D<3>	Digital I/O	GPIO9/ PWM4 output/ANA_D<3>/ ADC input
30	GP10/ANA_D<4>	Digital I/O	GPIO10/ ANA_D<4>/ (optional) 32kHz crystal input/ ADC input
31	GP11/ANA_D<5>	Digital I/O	GPIO11/ ANA_D<5>/ (optional) 32kHz crystal output/ ADC input
32	GP12/ANA_D<6>/Rbias_EXT	Digital I/O	GPIO12/ ANA_D<6>/off-chip bias resistor
33	AVDD3	PWR	Analog 3.3V supply
34	XC2	Analog O	12MHz/16MHz crystal output
35	XC1	Analog I	12MHz/16MHz crystal input
36	AVDD3	PWR	Analog 3.3V supply
37	ANT	Analog O	RF antenna
38	AVDD3	PWR	Analog 3.3V supply
39	GP13/ANA_D<7>	Digital I/O	GPIO13/ ANA_D<7>
40	RESETB	RESET	Power on reset, active low
41	ANA_E<1>	Digital I/O	GPIO/ANA_E<1>
42	ANA_E<2>	Digital I/O	GPIO/ ANA_E<2>
43	GP16/ANA_E<4>	Digital I/O	GPIO16/ ANA_E<4>
44	GP17/ANA_E<5>	Digital I/O	GPIO17/ ANA_E<5>
45	CN/uart_rts/ANA_E<6>	Digital I/O	SPI chip select. Active low/ UART_RTS /GPIO/ ANA_E<6>
46	DI/I2C_SDA/ANA_E<7>	Digital I/O	SPI data input/I2C_SDA/GPIO/ ANA_E<7>
47	DO/uart_cts/ANA_F<0>	Digital I/O	SPI data output/ UART_CTS /GPIO/ ANA_F<0>
48	CK/I2C_SCL/ANA_F<1>	Digital I/O	SPI clock/I2C_SCK/GPIO/ ANA_F<1>

*Note:

1) Pins with bold typeface can be used as GPIOs. All GPIOs have configurable

pull-up/pull-down resistor.

2) Pin drive strength: All pins support drive strength up to 4mA (4mA when “DS”=1, 0.7mA when “DS”=0) with the following exceptions: ANA_B<6> and ANA_B<5> support high drive strength up to 8mA (8mA when “DS”=1, 4mA when “DS”=0); ANA_E<5> and ANA_E<4> support high drive strength up to 16mA (16mA when “DS”=1, 12mA when “DS”=0). “DS” configuration will take effect when the pin is used as output. Please refer to section 7.1 for corresponding “DS” register address and the default setting.

3) Selectable ADC input channels: ANA_C<2>~ANA_C<7>, ANA_D<0>~ANA_D<5>.

Pin assignment for the TLSR8266F512ET/AT32/ TLSR8266F1KET32 is as shown in Figure 1- 10:

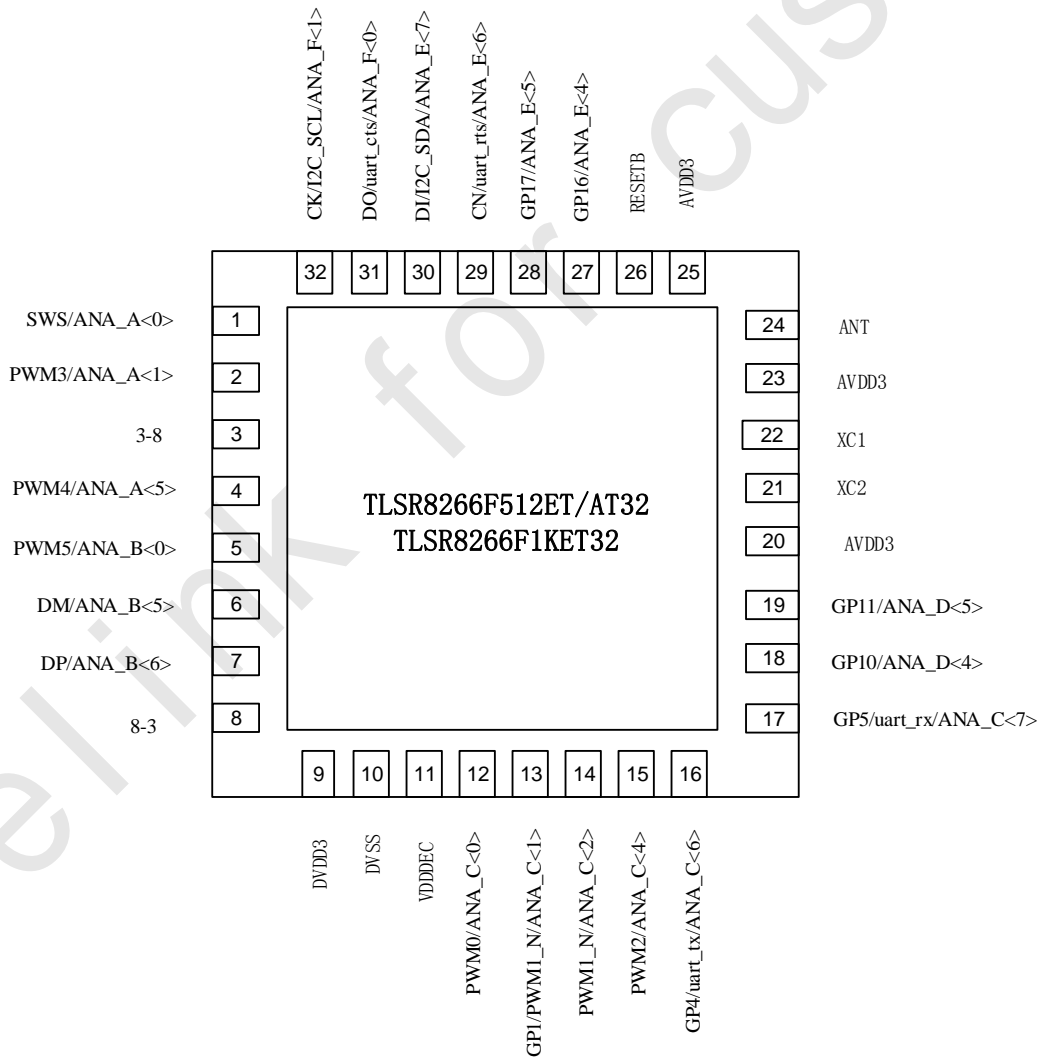


Figure 1- 10 Pin assignment for the TLSR8266F512ET/AT32/ TLSR8266F1KET32

Functions of 32 pins for the TLSR8266F512ET/AT32/TLSR8266F1KET32 are described in Table 1-6:

Table 1- 6 Pin functions for the TLSR8266F512ET/AT32/ TLSR8266F1KET32

QFN32 5X5			
No.	Pin Name	Type	Description
1	SWS/ANA_A<0>	Digital I/O	Single wire slave/GPIO/ANA_A<0>
2	PWM3/ANA_A<1>	Digital I/O	PWM3 output/GPIO/ ANA_A<1>
3	3-8	-	This pin should be connected to Pin #8
4	PWM4/ANA_A<5>	Digital I/O	PWM4 output/GPIO/ANA_A<5>
5	PWM5/ANA_B<0>	Digital I/O	PWM5 output/GPIO/ANA_B<0>
6	DM/ANA_B<5>	Digital I/O	USB data Minus/GPIO/ANA_B<5>
7	DP/ANA_B<6>	Digital I/O	USB data Positive/GPIO/ANA_B<6>
8	8-3	-	This pin should be connected to Pin #3
9	DVDD3	PWR	3.3V IO supply
10	DVSS	GND	Digital LDO ground
11	VDDDEC	PWR	Digital LDO 1.8V output
12	PWM0/ANA_C<0>	Digital I/O	PWM0 output/GPIO/ANA_C<0>
13	GP1/PWM1_N/ANA_C<1>	Digital I/O	GPIO1/PWM1 inverting output/ANA_C<1>
14	PWM1_N/ANA_C<2>	Digital I/O	PWM1 inverting output/GPIO/ANA_C<2>/ ADC input
15	PWM2/ANA_C<4>	Digital I/O	PWM2 output/GPIO/ ANA_C<4>/ ADC input
16	GP4/uart_tx/ANA_C<6>	Digital I/O	GPIO4/UART_TX/ ANA_C<6>/ ADC input
17	GP5/uart_rx/ANA_C<7>	Digital I/O	GPIO5/UART_RX/ ANA_C<7>/ ADC input
18	GP10/ANA_D<4>	Digital I/O	GPIO10/ ANA_D<4>/ (optional) 32kHz crystal input/ ADC input
19	GP11/ANA_D<5>	Digital I/O	GPIO11/ ANA_D<5>/ (optional) 32kHz crystal output/ ADC input
20	AVDD3	PWR	Analog 3.3V supply
21	XC2	Analog O	12MHz/16MHz crystal output
22	XC1	Analog I	12MHz/16MHz crystal input
23	AVDD3	PWR	Analog 3.3V supply
24	ANT	Analog I/O	RF antenna
25	AVDD3	PWR	Analog 3.3V supply
26	RESETB	RESET	Power on reset, active low
27	GP16/ANA_E<4>	Digital I/O	GPIO16/ ANA_E<4>
28	GP17/ANA_E<5>	Digital I/O	GPIO17/ ANA_E<5>
29	CN/uart_rts/ANA_E<6>	Digital I/O	SPI chip select. Active low/ UART_RTS /GPIO/ ANA_E<6>
30	DI/I2C_SDA/ANA_E<7>	Digital I/O	SPI data input/I2C_SDA/GPIO/ ANA_E<7>
31	DO/uart_cts/ANA_F<0>	Digital I/O	SPI data output/ UART_CTS /GPIO/

QFN32 5X5			
No.	Pin Name	Type	Description
			ANA_F<0>
32	CK/I2C_SCL/ANA_F<1>	Digital I/O	SPI clock/I2C_SCK/GPIO/ ANA_F<1>

*Note:

1) Pins with bold typeface can be used as GPIOs. All GPIOs have configurable pull-up/pull-down resistor.

2) Pin drive strength: All pins support drive strength up to 4mA (4mA when “DS”=1, 0.7mA when “DS”=0) with the following exceptions: ANA_B<6> and ANA_B<5> support high drive strength up to 8mA (8mA when “DS”=1, 4mA when “DS”=0); ANA_E<5> and ANA_E<4> support high drive strength up to 16mA (16mA when “DS”=1, 12mA when “DS”=0). “DS” configuration will take effect when the pin is used as output. Please refer to section 7.1 for corresponding “DS” register address and the default setting.

3) Selectable ADC input channels: ANA_C<2>, ANA_C<4>, ANA_C<6>~ANA_C<7>, ANA_D<4>~ANA_D<5>.

Pin assignment for the TLSR8266F128ET24 is as shown in Figure 1- 11:

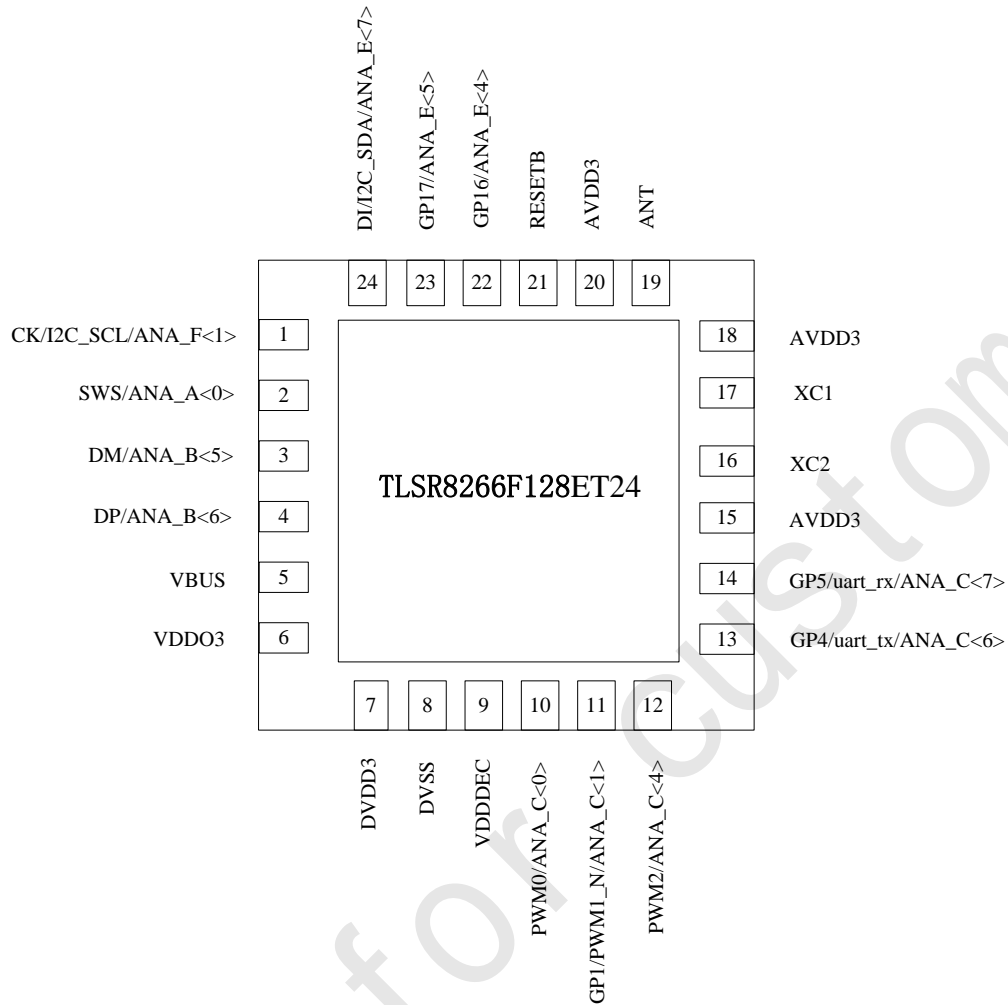


Figure 1- 11 Pin assignment for the TLSR8266F128ET24

Functions of 24 pins for the TLSR8266F128ET24 are described in Table 1- 7:

Table 1- 7 Pin functions for the TLSR8266F128ET24

QFN24 4x4			
No.	Pin Name	Type	Description
1	CK/I2C_SCL/ANA_F<1>	Digital I/O	SPI clock/I2C_SCK/GPIO/ ANA_F<1>
2	SWS/ANA_A<0>	Digital I/O	Single wire slave/GPIO/ANA_A<0>
3	DM/ANA_B<5>	Digital I/O	USB data Minus/GPIO/ANA_B<5>
4	DP/ANA_B<6>	Digital I/O	USB data Positive/GPIO/ANA_B<6>
5	VBUS	PWR	USB 5V supply
6	VDDO3	PWR	5V-to-3V LDO output

QFN24 4x4			
No.	Pin Name	Type	Description
7	DVDD3	PWR	3.3V IO supply
8	DVSS	GND	Digital LDO ground
9	VDDDEC	PWR	Digital LDO 1.8V output
10	PWM0/ANA_C<0>	Digital I/O	PWM0 output/GPIO/ANA_C<0>
11	GP1/PWM1_N/ANA_C<1>	Digital I/O	GPIO1/PWM1 inverting output/ANA_C<1>
12	PWM2/ANA_C<4>	Digital I/O	PWM2 output/GPIO/ ANA_C<4>/ ADC input
13	GP4/uart_tx/ANA_C<6>	Digital I/O	GPIO4/UART_TX/ ANA_C<6>/ ADC input
14	GP5/uart_rx/ANA_C<7>	Digital I/O	GPIO5/UART_RX/ ANA_C<7>/ ADC input
15	AVDD3	PWR	Analog 3.3V supply
16	XC2	Analog O	12MHz/16MHz crystal output
17	XC1	Analog I	12MHz/16MHz crystal input
18	AVDD3	PWR	Analog 3.3V supply
19	ANT	Analog I/O	RF antenna
20	AVDD3	PWR	Analog 3.3V supply
21	RESETB	RESET	Power on reset, active low
22	GP16/ANA_E<4>	Digital I/O	GPIO16/ANA_E<4>
23	GP17/ANA_E<5>	Digital I/O	GPIO17/ANA_E<5>
24	DI/I2C_SDA/ANA_E<7>	Digital I/O	SPI data input/I2C_SDA/GPIO/ ANA_E<7>

*Note:

- 1) Pins with bold typeface can be used as GPIOs. All GPIOs have configurable pull-up/pull-down resistor.
- 2) Pin drive strength: All pins support drive strength up to 4mA (4mA when “DS”=1, 0.7mA when “DS”=0) with the following exceptions: ANA_B<6> and ANA_B<5> support high drive strength up to 8mA (8mA when “DS”=1, 4mA when “DS”=0); ANA_E<5> and ANA_E<4> support high drive strength up to 16mA (16mA when “DS”=1, 12mA when “DS”=0). “DS” configuration will take effect when the pin is used as output. Please refer to section 7.1 for corresponding “DS” register address and the default setting.
- 3) Selectable ADC input channels: ANA_C<4>, ANA_C<6>~ANA_C<7>.

1.7 Telink SDK

A full featured SDK is provided with the chip for Bluetooth Low Energy applications. The customers can easily develop rich BLE applications by employing the firmware, along with the system configuration data composed according to the specific hardware design.

2 Memory and MCU

2.1 Memory

The TLSR8266/TLSR8266F512/TLSR8266F128/TLSR8266F1K embeds 16kB data memory (SRAM), 128/256/512kB external FLASH (TLSR8266) or 512kB internal FLASH (TLSR8266F512) or 128kB internal FLASH (TLSR8266F128) or 1024kB internal FLASH (TLSR8266F1K).

2.1.1 SRAM/Register

SRAM/Register memory map is shown as follows:

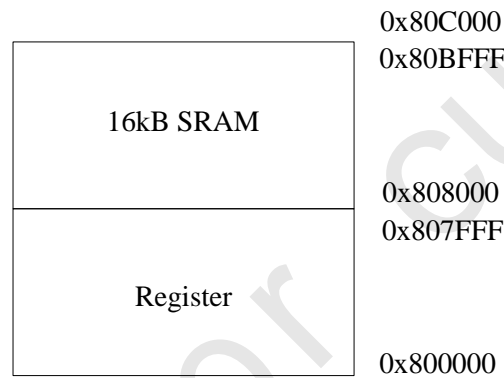


Figure 2- 1 Physical memory map

Register address: from 0x800000 to 0x807FFF;

16kB SRAM address: from 0x808000 to 0x80C000.

Both register and 16kB SRAM address can be accessed via debugging interface (SPI/I2C/USB, SWS/SWM interface).

2.1.2 Flash

External Flash address can be accessed via MSPI interface.

The internal Flash mainly supports page program, sector/block/chip erase operations, and deep power down operation.

2.1.2.1 Page program

The page program mode allows up to 256 bytes data to be programmed at memory locations that have been erased.

2.1.2.2 Sector erase

The sector erase operation serves to erase all the data of the specified sector (4kB) to all 1s.

2.1.2.3 Block erase

The block erase operation serves to erase all the data of the specified block (32kB or 64kB) to all 1s.

2.1.2.4 Chip erase

The chip erase operation serves to erase data at all memory locations to all 1s.

2.1.2.5 Unique ID

For chip identification and traceability, the 128kB Flash of TLSR8266F128 is preloaded with 8-byte hexadecimal Unique ID (UID). User is not allowed to modify this preloaded UID with write protection, but can read the UID via corresponding API interface.

2.2 MCU

The TLSR8266/TLSR8266F512/TLSR8266F128/TLSR8266F1K integrates a powerful 32-bit MCU developed by Telink. The digital core is based on 32-bit RISC, and the length of instructions is 16 bits; four hardware breakpoints are supported.

2.3 Working modes

The TLSR8266/TLSR8266F512/TLSR8266F128/TLSR8266F1K has four working modes: Active, Idle, Suspend and Deep Sleep. This section mainly gives the description of every working mode and mode transition.

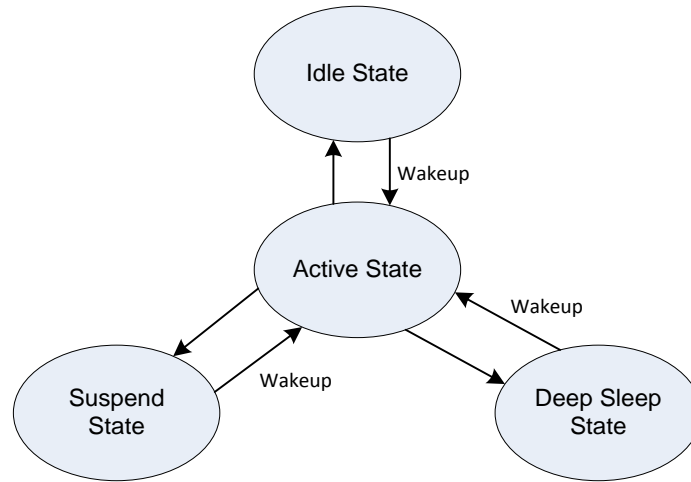


Figure 2- 2 Transition chart of working modes

2.3.1 Active mode

In active mode, the MCU block is at working state, and the TLSR8266/TLSR8266F512/TLSR8266F128/TLSR8266F1K can transmit or receive data via its embedded RF transceiver. The RF transceiver can also be powered down if no data transfer is needed.

2.3.2 Idle mode

In Idle mode, the MCU block stalls, and the RF transceiver can be at working state or be powered down. The time needed for the transition from Idle mode to Active mode is negligible.

2.3.3 Power-saving mode

For the TLSR8266/TLSR8266F512/TLSR8266F128/TLSR8266F1K, there are two kinds of power-saving modes: suspend mode and deep sleep mode. The two modes have similar transition sequences but different register settings. For 1.8V digital core, it's still provided with the working power by 1.8V LDO in suspend mode; while in deep sleep mode, the 1.8V LDO will be turned off, and the digital core is powered down.

In suspend mode, the RF transceiver is powered down, and the clock of the MCU block is stopped. It only takes about 400us for the TLSR8266/TLSR8266F512/TLSR8266F128/TLSR8266F1K to enter the active mode from

suspend mode.

While in deep sleep mode, both the RF transceiver and the MCU block are powered down with only power management block being active. The transition time needed from deep sleep mode to active mode is 1ms, almost the same as power-up time.

2.4 Reset, Wakeup and Power down enabling

Table 2- 1 Register configuration for reset, wakeup and power down enabling

Address	Mnemonic	Type	Description	Reset Value
0x60	RST0	R/W	Reset control, 1 for reset, 0 for clear [0] : SPI [1] : I2C [2]: USB [3]: rsvd [4]: MCU [5]: mac [6]: AIF [7]: zb	00
0x61	RST1	R/W	[0] system_timer [1]algm [2]dma [3]rs232 [4]pwm0 [5]aes [6]bbpll48m [7]swires	df
0x62	RST2	R/W	[0]sbc [1]rsvd [2]dfifo [3]adc [4]mcic [5]soft reset to reset mcic enable [6]mspi [7] algs	00
0x6e	WAKEUPEN	R/W	Wakeup enable [0]: enable wakeup from I2C host	00

Address	Mnemonic	Type	Description	Reset Value
			[1]: enable wakeup from SPI host [2]: enable wakeup from USB [3]: enable wakeup from gpio [4]: enable wakeup from I2C synchronous interface System resume control [5]: enable GPIO remote wakeup [6]: if set to 1, system will issue USB resume signal on USB bus [7]: sleep wakeup reset system enable	
0x6f	PWDNEN	W	[0]: suspend enable [5]:rst all (act as power on reset) [6]:mcu low power mode [7]: stall mcu trig If bit[0] set 1, then system will go to suspend. Or only stall mcu	

Except for power on reset, it is also feasible to carry out software reset for the whole chip or some modules. Setting address 0x6f[5] to 1b'1 is to reset the whole chip. Addresses 0x60~0x62 serve to reset individual modules: if some bit is set to logic "1", the corresponding module is reset. Address 0x6e serves to enable various wakeup sources from power-saving mode.

2.5 Wakeup sources

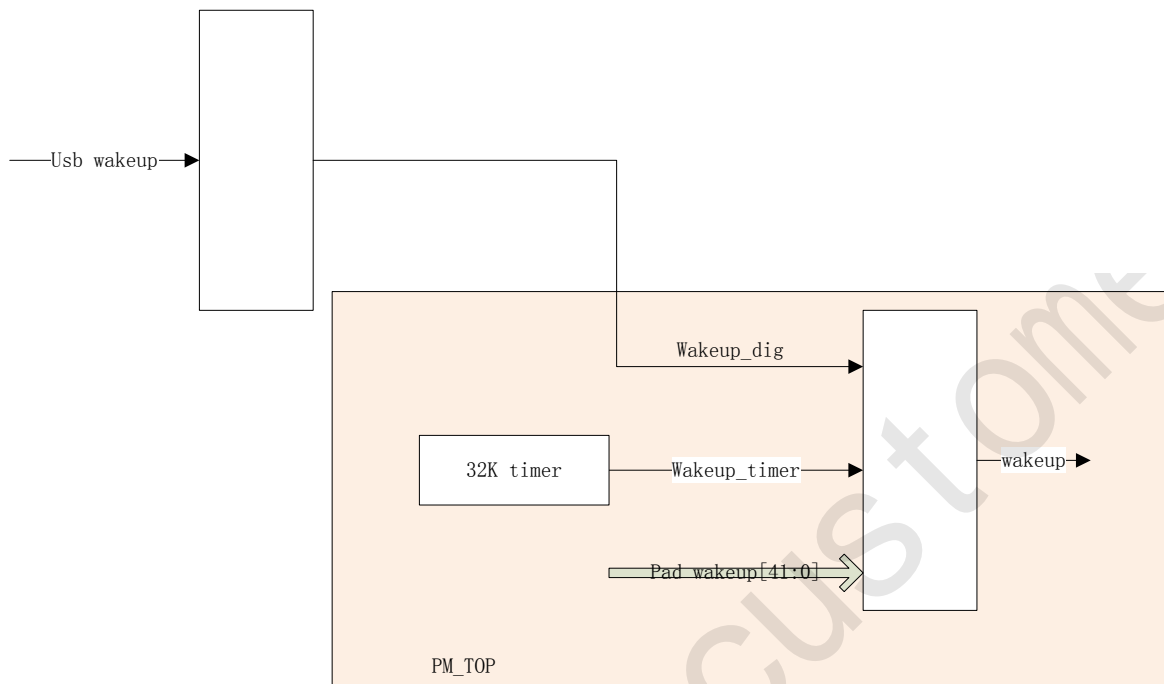


Figure 2- 3 Wakeup sources

2.5.1 Wakeup source - USB

This wakeup source can only wake up the system from suspend mode.

First, set the digital core address 0x6e bit [2] to 1.

To activate this mode, 3V_reg38 bit[5] should also be set to 1.

Once USB host sends out resuming signal, the system will be wake up.

2.5.2 Wakeup source – 32kHz timer

This wakeup source is able to wake up the system from suspend mode or deep sleep mode.

Address 3V_reg38 bit[6] is the enabling bit for wakeup source from 32kHz timer.

2.5.3 Wakeup source – pad

This wakeup source is able to wake up the system from suspend mode or deep

sleep mode. And Pad wakeup supports high level or low level wakeup which is configurable via polarity control registers.

Enabling control registers: Pad PA[7:0] enabling control register is 3V_reg39[7:0], Pad PB[7:0] enabling control register is 3V_reg40[7:0], Pad PC[7:0] enabling control register is 3V_reg41[7:0], Pad PD[7:0] enabling control register is 3V_reg42[7:0], Pad PE[7:0] enabling control register is 3V_reg43[7:0], Pad PF[1:0] enabling control register is 3V_reg38[3:2]. Total wakeup pin can be up to 42.

Polarity control registers: Pad PA[7:0] polarity control register is 3V_reg33[7:0], Pad PB[7:0] polarity control register is 3V_reg34[7:0], Pad PC[7:0] polarity control register is 3V_reg35[7:0], Pad PD[7:0] polarity control register is 3V_reg36[7:0], Pad PE[7:0] polarity control register is 3V_reg37[7:0], and Pad PF[1:0] polarity control register is 3V_reg38[1:0].

Table 2- 2 Analog registers for Wakeup

ADDR Dec	ADDR Hex	Description	Default
r33	0x21	pa_pol	0x00
r34	0x22	pb_pol	0x00
r35	0x23	pc_pol	0x00
r36	0x24	pd_pol	0x00
r37	0x25	pe_pol	0x00
r38[1:0]	0x26[1:0]	pf_pol[1:0]	0x00
r38[3:2]	0x26[3:2]	wkup_pf_en[1:0]	0x00
r38[5]	0x26[5]	wkup dig (usb)	0x00
r38[6]	0x26[6]	wkup 32kHz timer	0x00
r38[7]	0x26[7]	rsvd (wkup comparator)	0x00
r39	0x27	wkup_pa_en	0x00
r40	0x28	wkup_pb_en	0x00
r41	0x29	wkup_pc_en	0x00
r42	0x2a	wkup_pd_en	0x00
r43	0x2b	wkup_pe_en	0x00

3 2.4G RF Transceiver

3.1 Block diagrams

The TLSR8266/TLSR8266F512/TLSR8266F128/TLSR8266F1K integrates an advanced 2.4GHz RF transceiver. The RF transceiver works in the worldwide 2.4GHz ISM (Industrial Scientific Medical) band and contains an integrated balun with a single-ended RF Tx/Rx port pin. No matching components are needed.

The transceiver consists of a fully integrated frequency synthesizer, a power amplifier, a modulator and a receiver. The transceiver can be configured to work in standard-compliant BLE mode and can also be configured to work in proprietary 2Mbps mode. All modes support FSK/GFSK modulations.

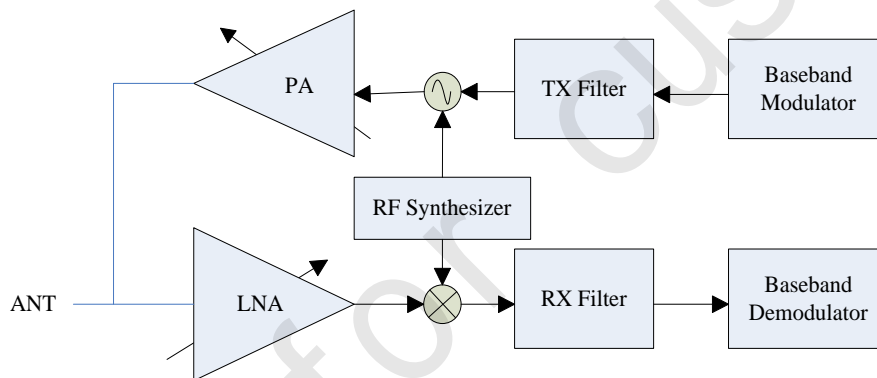


Figure 3- 1 Block diagram of RF transceiver

The internal PA can deliver a typical 7dBm output power, avoiding the needs for an external RF PA.

3.2 Function description

3.2.1 Turn on/off

For the sake of saving power, the transceiver can be turned on/off via the software. Setting the address 0x7c bit[6] to 1 enables the RF transceiver, while clearing the bit totally disables the RF transceiver.

3.2.2 Air interface data rate and RF channel frequency

Air interface data rate, the modulated signaling rate for RF transceiver when

transmitting and receiving data, is configurable via related register setting: 1Mbps, 2Mbps are available for the TLSR8266/TLSR8266F512/TLSR8266F128/TLSR8266F1K.

For the TLSR8266/TLSR8266F512/TLSR8266F128/TLSR8266F1K, RF transceiver can operate with frequency ranging from 2.400GHz to 2.4835GHz. The RF channel frequency setting determines the center of the channel.

3.3 Baseband

The baseband contains dedicated hardware logic to perform fast AGC control, access code correlation, CRC checking, data whitening, encryption/decryption and frequency hopping logic.

The baseband supports all features required by Bluetooth v4.2 specification.

3.3.1 Packet format

Packet format is shown as Table 3-1:

Table 3- 1 Packet Format

LSB		MSB	
Preamble (1 octet)	Access Address (4 octets)	PDU (2 to 39 octets)	CRC (3 octets)

Packet length 80bit ~ 376bit (80~376us @ 1Mbps).

3.3.2 RSSI

The TLSR8266/TLSR8266F512/TLSR8266F128/TLSR8266F1K provides accurate RSSI (Receiver Signal Strength Indicator) indication which can be read on per packet basis.

4 Clock

4.1 Clock sources

The TLSR8266/TLSR8266F512/TLSR8266F128/TLSR8266F1K embeds a 32MHz RC oscillator which can be used as clock source for system and ADC. A 32kHz RC oscillator is also embedded to provide clock source for sleep state.

Other than the RC clock source, PLL generates a 192MHz clock source and a 48MHz clock source, which can be used as clock sources for system and ADC.

External 12M/16M crystal is available via pin XC1, which provide a 12MHz/16MHz clock source for system and ADC. External 32kHz crystal is available via pin ANA_D<4>, which can provide a 32kHz clock source for system.

4.2 Register table

Table 4- 1 Register table for clock

Address	Mnemonic	Type	Description	Reset Value
0x63	CLKEN0	R/W	Clock enable control: 1 for enable; 0 for disable [0] : SPI [1] : I2C [2]: USB [3]: USB PHY [4]: MCU [5]: mac [6]: AIF [7]: zb	8c
0x64	CLKEN1	R/W	[0]system timer [1]algm [2]dma [3]rs232 [4]pwm0 [5]aes [6]clk32k for system timer [7]swires	00
0x65	CLKEN2	R/W	[0]32k for qdec	00

Address	Mnemonic	Type	Description	Reset Value
			[1]rsvd [2]dfifo [3]key scan [4]mcic [5]qdec [6]32k for pwm [7]32k for keyscan	
0x66	CLKSEL	R/W	System clock select [4:0]: system clock divider: fhs/(CLKSEL[4:0]). Fhs refer to {0x70, 0x66[7]} FHS_sel [6:5] 2'b00:32m clock from rc 2'b01:hs divider clk 2'b10:16M clock from pad 2'b11:32k clk from pad {0x70[0], 0x66[7]}: FHS sel	ff
0x67	I2S step	R/W	Reserved	33
0x68	I2S Mod	R/W	Reserved	2
0x69	Adc step[7:0]	R/W	ADC clock step[7:0]	00
0x6a	Adc mod[7:0]	R/W	Adc clock mod[7:0]	2
0x6b	adcmodstep	R/W	[7]: adc clock enable [6:4]: adc step[10:8] [3:0]: adc mod[11:8] Adc clock = fhs * step[10:0]/mod[11:0] Mod need be larger than or equal to 2*step Fhs refer to {0x70, 0x66[7]} FHS_sel	00
0x6c	DMIC_step	R/W	rsvd	1
0x6d	DMIC_mod	R/W	rsvd	2
0x70	FHS_sel	R/W	{0x70[0], 0x66[7]}: fhs select 2'b00: 192M clock from pll 2'b01:48M pll 2'b10:32M clock from osc 2'b11:16M clock from pad	00
0x71	DC/DC clk mod	R/W	Reserved	
0x73	Clk mux sel		[0]: clk32k select;0:sel 32k osc 1: 32k pad [1] rsvd [2] usb phy clock select,1 : 192M divider 0:48M pll [7:4] r_lpr_div, decide system clock speed in low power mode	0x10

4.3 System clock

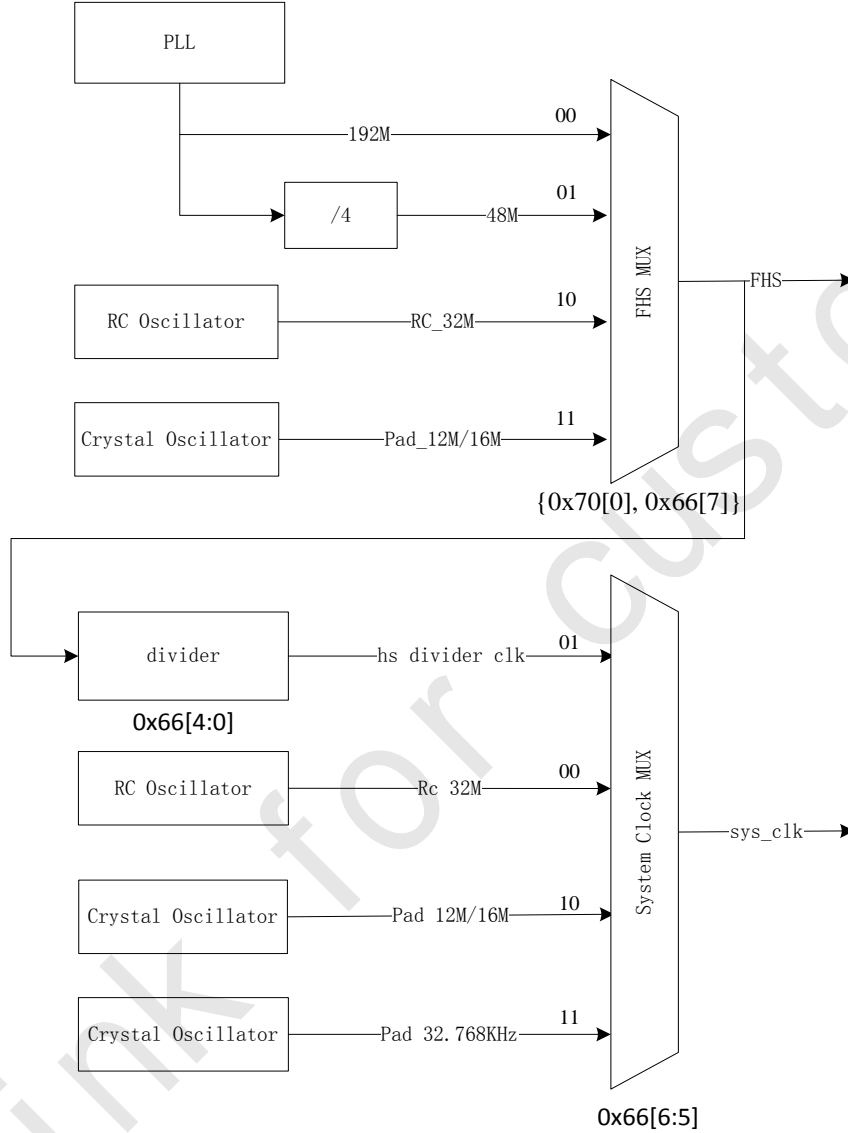


Figure 4- 1 Block diagram of system clock

There are four selectable clock sources for MCU system clock: 32MHz RC clock, HS divider clock (divided from a High speed clock), and Pad clock (12MHz/16MHz, 32.768kHz).

The high speed clock (FHS) is selectable via address {0x70[0], 0x66[7]} from the following sources: 192MHz clock from PLL, 48MHz clock from PLL, 32MHz RC clock, and 12MHz/16MHz Pad clock.

Register CLKSEL (address 0x66) serves to set system clock. System clock source is selectable via bit[6:5]. If address 0x66[6:5] is set to 2b'01 to select the HS divider clock, system clock frequency is adjustable via address 0x66[4:0]. $F_{\text{System clock}} = F_{\text{FHS}} / (\text{system clock divider value in address } 0x66[4:0])$.

4.4 Module clock

Registers CLKEN0~CLKEN2 (address 0x63~0x65) are used to enable or disable clock for various modules. By disable the clocks of unused modules, current consumption could be reduced.

4.4.1 ADC clock

ADC clock derives from FHS. ADC clock is enabled via setting address 0x6b[7] to 1b'1.

ADC clock frequency dividing factor contains step and mod. Address 0x6b[6:4] and 0x69 serve to set ADC clock step[10:0]. Address 0x6b[3:0] and 0x6a serve to set ADC clock mod[11:0].

ADC clock frequency, $F_{\text{ADC clock}}$, equals to $F_{\text{FHS}} * \text{step}[10:0] / \text{mod}[11:0]$.

5 Timers

5.1 Timer0~Timer2

The TLSR8266/TLSR8266F512/TLSR8266F128/TLSR8266F1K supports three timers: Timer0~ Timer2. The three timers all support four modes: Mode 0 (System Clock Mode), Mode 1 (GPIO Trigger Mode), Mode 2 (GPIO Pulse Width Mode) and Mode 3 (Tick Mode).

Timer 2 can also be configured as “watchdog” to monitor firmware running.

5.1.1 Register table

Table 5- 1 Register configuration for Timer0~Timer2

Address	Mnemonic	Type	Description	Reset Value
0x620	TMR_CTRL0	RW	[0]Timer0 enable [2:1] Timer0 mode. 0 using sclk, 1, using gpio, 2 count widht of gpi, 3 tick [3]Timer1 enable [5:4] Timer1 mode. [6]Timer2 enable [7]Bit of timer2 mode	00
0x621	TMR_CTRL1	RW	[0]Bit of timer2 mode [7:1]Low bits of watch dog capture	00
0x622	TMR_CTRL2	RW	[6:0]High bits of watch dog capture. It is compared with [31:18] of timer2 ticker [7]watch dog capture	00
0x623	TMR_STATUS	RW	[0] timer0 status, write 1 to clear [1] timer1 status, write 1 to clear [2] timer2 status, write 1 to clear	

Address	Mnemonic	Type	Description	Reset Value
			[3] watch dog status, write 1 to clear	
0x624	TMR_CAPT0_0	RW	Byte 0 of timer0 capture	00
0x625	TMR_CAPT0_1	RW	Byte 1 of timer0 capture	00
0x626	TMR_CAPT0_2	RW	Byte 2 of timer0 capture	00
0x627	TMR_CAPT0_3	RW	Byte 3 of timer0 capture	00
0x628	TMR_CAPT1_0	RW	Byte 0 of timer1 capture	00
0x629	TMR_CAPT1_1	RW	Byte 1 of timer1 capture	00
0x62a	TMR_CAPT1_2	RW	Byte 2 of timer1 capture	00
0x62b	TMR_CAPT1_3	RW	Byte 3 of timer1 capture	00
0x62c	TMR_CAPT2_0	RW	Byte 0 of timer2 capture	00
0x62d	TMR_CAPT2_1	RW	Byte 1 of timer2 capture	00
0x62e	TMR_CAPT2_2	RW	Byte 2 of timer2 capture	00
0x62f	TMR_CAPT2_3	RW	Byte 3 of timer2 capture	00
0x630	TMR_TICK0_0	RW	Byte 0 of timer0 ticker	
0x631	TMR_TICK0_1	RW	Byte 1 of timer0 ticker	
0x632	TMR_TICK0_2	RW	Byte 2 of timer0 ticker	
0x633	TMR_TICK0_3	RW	Byte 3 of timer0 ticker	
0x634	TMR_TICK1_0	RW	Byte 0 of timer1 ticker	
0x635	TMR_TICK1_1	RW	Byte 1 of timer1 ticker	
0x636	TMR_TICK1_2	RW	Byte 2 of timer1 ticker	
0x637	TMR_TICK1_3	RW	Byte 3 of timer1 ticker	
0x638	TMR_TICK2_0	RW	Byte 0 of timer2 ticker	
0x639	TMR_TICK2_1	RW	Byte 1 of timer2 ticker	
0x63a	TMR_TICK2_2	RW	Byte 2 of timer2 ticker	
0x63b	TMR_TICK2_3	RW	Byte 3 of timer2 ticker	

5.1.2 Mode0 (System Clock Mode)

In Mode 0, system clock is employed as clock source.

After Timer is enabled, Timer Tick (i.e. counting value) is increased by 1 on each positive edge of system clock from preset initial Tick value. Generally the initial Tick value is set to 0.

Once current Timer Tick value matches the preset Timer Capture (i.e. timing value), an interrupt is generated, Timer stops counting and Timer status is updated.

Steps of setting Timer0 for Mode 0 is taken as an example.

1st: Set initial Tick value of Timer0

Set Initial value of Tick via registers TMR_TICK0_0~TMR_TICK0_3 (address 0x630~0x633). Address 0x630 is lowest byte and 0x633 is highest byte. It's recommended to clear initial Timer Tick value to 0.

2nd: Set Capture value of Timer0

Set registers TMR_CAPT0_0~TMR_CAPT0_3 (address 0x624~0x627). Address 0x624 is lowest byte and 0x627 is highest byte.

3rd: Set Timer0 to Mode 0 and enable Timer0

Set register TMR_CTRL0 (address 0x620) [2:1] to 2b'00 to select Mode 0; Meanwhile set address 0x620[0] to 1b'1 to enable Timer0. Timer0 starts counting upward, and Tick value is increased by 1 on each positive edge of system clock until it reaches Timer0 Capture value.

5.1.3 Mode1 (GPIO Trigger Mode)

In Mode 1, GPIO is employed as clock source. The "m0"/"m1"/"m2" register specifies the GPIO which generates counting signal for Timer0/Timer1/Timer2.

After Timer is enabled, Timer Tick (i.e. counting value) is increased by 1 on each positive/negative (configurable) edge of GPIO from preset initial Tick value. Generally the initial Tick value is set to 0. The "Polarity" register specifies the GPIO edge when Timer Tick counting increases.

Note: Refer to **Section 7.1.2** for corresponding "m0", "m1", "m2" and "Polarity"

register address.

Once current Timer Tick value matches the preset Timer Capture (i.e. timing value), an interrupt is generated and timer stops counting.

Steps of setting Timer1 for Mode 1 is taken as an example.

1st: Set initial Tick value of Timer1

Set Initial value of Tick via registers TMR_TICK1_0~TMR_TICK1_3 (address 0x634~0x637). Address 0x634 is lowest byte and 0x637 is highest byte. It's recommended to clear initial Timer Tick value to 0.

2nd: Set Capture value of Timer1

Set registers TMR_CAPT1_0~TMR_CAPT1_3 (address 0x628~0x62b). Address 0x628 is lowest byte and 0x62b is highest byte.

3rd: Select GPIO source and edge for Timer1

Select certain GPIO to be the clock source via setting "m1" register.

Select positive edge or negative edge of GPIO input to trigger Timer1 Tick increment via setting "Polarity" register.

4th: Set Timer1 to Mode 1 and enable Timer1

Set address 0x620[5:4] to 2b'01 to select Mode 1; Meanwhile set address 0x620[3] to 1b'1 to enable Timer1. Timer1 starts counting upward, and Timer1 Tick value is increased by 1 on each positive/negative (specified during the 3rd step) edge of GPIO until it reaches Timer1 Capture value.

5.1.4 Mode2 (GPIO Pulse Width Mode)

In Mode 2, system clock is employed as the unit to measure the width of GPIO pulse. The "m0"/"m1"/"m2" register specifies the GPIO which generates control signal for Timer0/Timer1/Timer2.

After Timer is enabled, Timer Tick is triggered by a positive/negative (configurable) edge of GPIO pulse. Then Timer Tick (i.e. counting value) is increased by 1 on each positive edge of system clock from preset initial Tick value. Generally the initial Tick value is set to 0. The "Polarity" register specifies the GPIO edge when Timer Tick starts counting.

Note: Refer to **Section 7.1.2** for corresponding “m0”, “m1”, “m2” and “Polarity” register address.

While a negative/positive edge of GPIO pulse is detected, an interrupt is generated and timer stops counting. The GPIO pulse width could be calculated in terms of tick count and period of system clock.

Steps of setting Timer2 for Mode 2 is taken as an example.

1st: Set initial Timer2 Tick value

Set Initial value of Tick via registers TMR_TICK2_0~TMR_TICK2_3 (address 0x638~0x63b). Address 0x638 is lowest byte and 0x63b is highest byte. It's recommended to clear initial Timer Tick value to 0.

2nd: Select GPIO source and edge for Timer2

Select certain GPIO to be the clock source via setting “m2” register.

Select positive edge or negative edge of GPIO input to trigger Timer2 counting start via setting “Polarity” register.

3rd: Set Timer2 to Mode 2 and enable Timer2

Set address 0x620[7:6] to 2b'01 and address 0x621 [0] to 1b'1.

Timer2 Tick is triggered by a positive/negative (specified during the 2nd step) edge of GPIO pulse. Timer2 starts counting upward and Timer2 Tick value is increased by 1 on each positive edge of system clock.

While a negative/positive edge of GPIO pulse is detected, an interrupt is generated and Timer2 tick stops.

4th: Read current Timer2 Tick value to calculate GPIO pulse width

Read current Timer2 Tick value from address 0x638~0x63b.

Then GPIO pulse width is calculated as follows:

GPIO pulse width

$$= \text{System clock period} * (\text{current Timer2 Tick} - \text{initial Timer2 Tick})$$

For initial Timer2 Tick value set to the recommended value of 0, then:

$$\text{GPIO pulse width} = \text{System clock period} * \text{current Timer2 Tick}.$$

5.1.5 Mode3 (Tick Mode)

In Mode 3, system clock is employed.

After Timer is enabled, Timer Tick starts counting upward, and Timer Tick value is increased by 1 on each positive edge of system clock.

This mode could be used as time indicator. There will be no interrupt generated. Timer Tick keeps rolling from 0 to 0xffffffff. When Timer tick overflows, it returns to 0 and starts counting upward again.

Steps of setting Timer0 for Mode 3 is taken as an example.

1st: Set initial Tick value of Timer0

Set Initial value of Tick via address 0x630~0x633. Address 0x630 is lowest byte and address 0x633 is highest byte. It's recommended to clear initial Timer Tick value to 0.

2nd: Set Timer0 to Mode 3 and enable Timer0

Set address 0x620[2:1] to 2b'11 to select Mode 3, meanwhile set address 0x620[0] to 1b'1 to enable Timer0. Timer0 Tick starts to roll.

3rd: Read current Timer0 Tick value

Current Timer0 Tick value can be read from address 0x630~0x633.

5.1.6 Watchdog

Programmable watchdog could reset chip from unexpected hang up or malfunction.

Only Timer2 supports Watchdog.

Timer2 Tick has 32bits. Watchdog Capture has only 14bits, which consists of TMR_CTRL2 (address 0x622) [6:0] as higher bits and TMR_CTRL1 (address 0x621) [7:1] as lower bits. Chip will be reset when the Timer2 Tick[31:18] matches Watch dog capture.

1st: Clear Timer2 Tick value

Clear registers TMR_TICK2_0 ~TMR_TICK2_3 (address 0x638~0x63b). Address 0x638 is lowest byte and 0x63b is highest byte.

2nd: Enable Timer2

Set register TMR_CTRL0 (address 0x620) [6] to 1b'1 to enable Timer2.

3rd: Set 14-bit Watchdog Capture value and enable Watchdog

Set address 0x622[6:0] as higher bits of watchdog capture and 0x621[7:1] as lower bits. Meanwhile set address 0x622[7] to 1b'1 to enable Watchdog.

Then Timer2 Tick starts counting upwards from 0.

If bits[31:18] of Timer2 Tick value read from address 0x638~0x63b reaches watchdog capture, the chip will be reset.

5.2 32kHz LTIMER

The TLSR8266/TLSR8266F512/TLSR8266F128/TLSR8266F1K supports a low frequency (32kHz) LTIMER in suspend mode or deep sleep mode.

This timer can be used as one kind of wakeup source. Please refer to **Section 2.5.2** for details.

5.3 System Timer

The TLSR8266/TLSR8266F512/TLSR8266F128/TLSR8266F1K also supports a System Timer.

In suspend mode, both System Timer and Timer0~Timer2 stop counting, and 32kHz Timer starts counting. When the chip restores to active mode, Timer0~Timer2 will continue counting from the number when they stops; In contrast, System Timer will continue counting from an adjusted number which is a sum of the number when it stops and an offset calculated from the counting value of 32kHz Timer during suspend mode.

6 Interrupt System

6.1 Interrupt structure

The interrupting function is applied to manage dynamic program sequencing based on real-time events triggered by timers, pins and etc.

For the TLSR8266/TLSR8266F512/TLSR8266F128/TLSR8266F1K, there are 24 interrupt sources in all: 16 types are level-triggered interrupt sources (listed in address 0x640~0x641) and 8 types are edge-triggered interrupt sources (listed in address 0x642).

When CPU receives an interrupt request (IRQ) from some interrupt source, it will decide whether to respond to the IRQ. If CPU decides to respond, it pauses current routine and starts to execute interrupt service subroutine. Program will jump to certain code address and execute IRQ commands. After finishing interrupt service subroutine, CPU returns to the breakpoint and continues to execute main function.

6.2 Register configuration

Table 6- 1 Register table for Interrupt system

Address	Mnemonic	Type	Description	Reset Value
0x640	MASK_0	RW	Byte 0 interrupt mask, level-triggered type {irq_host_cmd irq_qdec,irq_uart,irq_ks,irq_dma,usb_pwdn,time2,time1,time0} [7] irq_host_cmd irq_qdec [6] irq_uart [5] irq_ks [4] irq_dma [3] usb_pwdn [2] time2 [1] time1 [0] time0	00
0x641	MASK_1	RW	Byte 1 interrupt mask, level-triggered type {an_irq,irq_software irq_pwm,irq_zb_rt,irq_udc[4:0]} [7] an_irq	00

Address	Mnemonic	Type	Description	Reset Value
			[6] irq_software irq_pwm [5] irq_zb_rt [4] irq_udc[4] [3] irq_udc[3] [2] irq_udc[2] [1] irq_udc[1] [0] irq_udc[0]	
0x642	MASK_2	RW	Byte 2 interrupt mask, edge-triggered type {gpio2risc[2:0],irq_stimer,pm_irq,irq_gpio,usb_reset,usb_250us} [7] gpio2risc[2] [6] gpio2risc[1] [5] gpio2risc[0] [4] irq_stimer [3] pm_irq [2] irq_gpio [1] usb_reset [0] usb_250us	00
0x643	IRQMODE	RW	[0] interrupt enable [1] reserved (Multi-Address enable)	00
0x644	PRIO_0	RW	Byte 0 of priority 1: High priority; 0: Low priority	00
0x645	PRIO_1	RW	Byte 1 of priority	00
0x646	PRIO_2	RW	Byte 2 of priority	00
0x648	IRQSRC_0	R	Byte 0 of interrupt source	
0x649	IRQSRC_1	R	Byte 1 of interrupt source	
0x64a	IRQSRC_2	R	Byte 2 of interrupt source	

6.2.1 Enable/Mask interrupt sources

Various interrupt sources could be enabled or masked by registers MASK_0~MASK_2 (address 0x640~0x642).

6.2.2 Interrupt mode and priority

Interrupt mode is typically-used mode. Register IRQMODE (address 0x643)[0] should be set to 1b'1 to enable interrupt function.

IRQ tasks could be set as High or Low priority via registers PRIO_0~PRIO_2 (address 0x644~0x646). When more than one interrupt sources assert interrupt requests at the same time, CPU will respond depending on respective interrupt priority levels. It's recommended not to modify priority setting.

6.2.3 Interrupt source flag

Three bytes in registers IRQSRC_0~IRQSRC_2 (address 0x648~0x64a) serve to indicate IRQ sources. Once IRQ occurs from certain source, the corresponding IRQ source flag will be raised to "High". User could identify IRQ source by reading address 0x648~0x64a.

When handling edge-triggered type interrupt, the corresponding IRQ source flag needs to be cleared via address 0x64a. Take the interrupt source usb_250us for example: First enable the interrupt source by setting address 0x642 bit[0] to 1; then set address 0x643 bit[0] to 1 to enable the interrupt. In interrupt handling function, 24-bit data is read from address 0x648~0x64a to determine which IRQ source is valid; if data bit[16] is 1, it means the usb_250us interrupt is valid. Clear this interrupt source by setting address 0x64a bit[0] to 1.

As for level-type interrupt, IRQ interrupt source status needs to be cleared via setting corresponding module status register. Take Timer0 IRQ interrupt source for example, register TMR_STATUS (address 0x623) [0] should be written with 1b'1 to clear Timer0 status (refer to section 5.1.1).

7 Interface

7.1 GPIO

The TLSR8266ET/AT56, TLSR8266ET/AT48, TLSR8266ET/AT32, TLSR8266F512ET/AT48, TLSR8266F512ET/AT32/TLSR8266F1KET32 and TLSR8266F128ET24 support up to 41, 37, 22, 35, 20 and 12 GPIOs respectively. Except for dedicated GPIOs, all digital IOs can be used as general purpose IOs. All GPIOs have configurable pull-up/pull-down resistor. Note: For GPIO function, the USB interface (DM, DP) can only be used as GPI.

7.1.1 Basic configuration

Please refer to Table 7-1 in section 7.1.1.3 for various GPIO interface configuration.

7.1.1.1 Multiplexed functions

For a pin listed in Table 7-1, it acts as the function in the “Default Function” column by default. It’s noted that functions of higher priority should be disabled (by clearing corresponding bit) before enabling function of lower priority (by setting corresponding bit to 1b’1).

If a pin with multiplexed functions does not act as GPIO function by default, to use it as GPIO function, first set the bit in “Act as GPIO” column to 1b’1. After GPIO function is enabled, if the pin is used as output, both the bits in “IE” and “OEN” columns should be cleared, then set the register value in the “Output” column; if the pin is used as input, both the bits in “IE” and “OEN” columns set to 1b’1, and the input data can be read from the register in the “Input” column.

Take the PWM3/ANA_A<1> pin for example.

(1) The pin acts as GPIO function by default. If the pin is used as general output, both address 0x581[1] and 0x582[1] should be cleared, then configure address 0x583[1]. If the pin is used as general input, both address 0x581[1] and 0x582[1] should be set to 1b’1, and the input data can be read from address 0x580[1].

(2) To use the pin as Keyscan function, address 0x586[1] should be cleared and

0x5b0[1] should be set to 1b'1.

(3) Addresses {0x586[1], 0x5b0[1], 0x5b6[4]} should be all cleared to use the pin as PWM3 function.

Take the SWS/ANA_A<0> pin as another example. The pin acts as SWS function by default. To use it as GPIO function, first set address 0x586[0] to 1b'1. If the pin is used as general output, both address 0x581[0] and 0x582[0] should be cleared, then configure address 0x583[0]. If the pin is used as general input, both address 0x581[0] and 0x582[0] should be set to 1b'1, and the input data can be read from address 0x580[0].

7.1.1.2 Drive strength

The registers in the “DS” column are used to configure corresponding pin’s driving strength: “1” indicates maximum drive level, while “0” indicates minimal drive level. The “DS” configuration will take effect when the pin is used as output. It’s set as the strongest driving level by default. In actual applications, driving strength can be decreased to lower level if necessary.

All the pins support maximum drive level of 4mA (“DS”=1) and minimal drive level of 0.7mA (“DS”=0) with the following exceptions:

- ✧ ANA_B<6> and ANA_B<5>: maximum=8mA (“DS”=1), minimum=4mA (“DS”=0)
- ✧ ANA_E<5> and ANA_E<4>: maximum=16mA (“DS”=1), minimum=12mA (“DS”=0)

7.1.1.3 GPIO lookup table

Table 7- 1 GPIO lookup table

Pin	Default Function	Prio_0	Prio_1	Prio_2	Prio_3	Prio_4	GPIO setting					
							Input (R)	IE (High active)	OEN (Low active)	Output	DS	Act as GPIO
SWS/ ANA_A<0>	SWS						0x580[0]	0x581[0]	0x582[0]	0x583[0]	0x585[0]	0x586[0]
PWM3/	GPIO	5b0[1]		5b6[4]			0x580[1]	0x581[1]	0x582[1]	0x583[1]	0x585[1]	0x586[1]

Pin	Default Function	Prio_0	Prio_1	Prio_2	Prio_3	Prio_4	GPIO setting					
							Input (R)	IE (High active)	OEN (Low active)	Output	DS	Act as GPIO
ANA_A<1>		ks		bb_dbg[0]								
MSDI/ ANA_A<2>	MSDI						0x580[2]	0x581[2]	0x582[2]	0x583[2]	0x585[2]	0x586[2]
MCLK/ ANA_A<3>	MCLK						0x580[3]	0x581[3]	0x582[3]	0x583[3]	0x585[3]	0x586[3]
GP18/ PWM3_N/ ANA_A<4>	GPIO	5b0[4] ks		5b6[4] bb_dbg[1]			0x580[4]	0x581[4]	0x582[4]	0x583[4]	0x585[4]	0x586[4]
PWM4/ ANA_A<5>	GPIO	5b0[5] ks		5b6[4] bb_dbg[2]			0x580[5]	0x581[5]	0x582[5]	0x583[5]	0x585[5]	0x586[5]
GP19/ PWM4_N/ ANA_A<6>	GPIO	5b0[6] ks		5b6[4] bb_dbg[3]			0x580[6]	0x581[6]	0x582[6]	0x583[6]	0x585[6]	0x586[6]
SWM/ ANA_A<7>	GPIO	5b0[7] ks					0x580[7]	0x581[7]	0x582[7]	0x583[7]	0x585[7]	0x586[7]
PWM5/ ANA_B<0>	GPIO				5b6[0] rxadc_clk_i	5b6[8] rxadc_clk_o	0x588[0]	0x589[0]	0x58a[0]	0x58b[0]	0x58d[0]	0x58e[0]
GP20/ PWM5_N/ ANA_B<1>	GPIO				5b6[0] rxadc_dat_i	5b6[8] rxadc_dat_o	0x588[1]	0x589[1]	0x58a[1]	0x58b[1]	0x58d[1]	0x58e[1]
MSDO/ ANA_B<2>	MSDO						0x588[2]	0x589[2]	0x58a[2]	0x58b[2]	0x58d[2]	0x58e[2]
MSCN/ ANA_B<3>	MSCN						0x588[3]	0x589[3]	0x58a[3]	0x58b[3]	0x58d[3]	0x58e[3]
DM/ ANA_B<5>	DM						0x588[5]	0x589[5]	N/A	N/A	0x58d[5]	N/A
DP/ ANA_B<6>	DP						0x588[6]	0x589[6]	N/A	N/A	0x58d[6]	N/A
GP0/ PWM0_N/ ANA_B<7>	GPIO						0x588[7]	0x589[7]	0x58a[7]	0x58b[7]	0x58d[7]	0x58e[7]
PWM0/ ANA_C<0>	GPIO	5b2[0] ks			5b6[6] tx_en_i	5b6[7] tx_en_o	0x590[0]	0x591[0]	0x592[0]	0x593[0]	0x595[0]	0x596[0]
GP1/ PWM1_N/ ANA_C<1>	GPIO	5b2[1] ks			5b6[6] tx_cyc1_i	5b6[7] tx_cyc1_o	0x590[1]	0x591[1]	0x592[1]	0x593[1]	0x595[1]	0x596[1]
PWM1_N/ ANA_C<2>	GPIO	5b2[2]					0x590[2]	0x591[2]	0x592[2]	0x593[2]	0x595[2]	0x596[2]

Pin	Default Function	Prio_0	Prio_1	Prio_2	Prio_3	Prio_4	GPIO setting					
							Input (R)	IE (High active)	OEN (Low active)	Output	DS	Act as GPIO
ANA_C<2>		ks										
GP2/ PWM1/ ANA_C<3>	GPIO	5b2[3] ks			5b6[6] tx_sd_i	5b6[7] tx_sd_o	0x590[3]	0x591[3]	0x592[3]	0x593[3]	0x595[3]	0x596[3]
PWM2/ ANA_C<4>	GPIO	5b2[4] ks			5b6[6] tx_clkbb_i	5b6[7] tx_clkbb_o	0x590[4]	0x591[4]	0x592[4]	0x593[4]	0x595[4]	0x596[4]
GP3/ PWM2_N/ ANA_C<5>	GPIO	5b2[5] ks		5b6[4] bb_dbg[4]			0x590[5]	0x591[5]	0x592[5]	0x593[5]	0x595[5]	0x596[5]
GP4/ uart_tx/ ANA_C<6>	GPIO	5b2[6] ks					0x590[6]	0x591[6]	0x592[6]	0x593[6]	0x595[6]	0x596[6]
GP5/ uart_rx/ ANA_C<7>	GPIO	5b2[7] ks					0x590[7]	0x591[7]	0x592[7]	0x593[7]	0x595[7]	0x596[7]
GP6/ uart_rts/ ANA_D<0>	GPIO	5b3[0] ks	uart_rts				0x598[0]	0x599[0]	0x59a[0]	0x59b[0]	0x59d[0]	0x59e[0]
GP7/ uart_cts/ ANA_D<1>	GPIO	5b3[1] ks	5b6[1] uart_cts				0x598[1]	0x599[1]	0x59a[1]	0x59b[1]	0x59d[1]	0x59e[1]
GP8/ PWM3/ ANA_D<2>	GPIO	5b3[2] ks		5b6[4] bb_dbg[5]			0x598[2]	0x599[2]	0x59a[2]	0x59b[2]	0x59d[2]	0x59e[2]
GP9/ PWM4/ ANA_D<3>	GPIO	5b3[3] ks		5b6[4] bb_dbg[6]			0x598[3]	0x599[3]	0x59a[3]	0x59b[3]	0x59d[3]	0x59e[3]
GP10/ ANA_D<4>	GPIO	5b3[4] ks		5b6[4] bb_dbg[7]			0x598[4]	0x599[4]	0x59a[4]	0x59b[4]	0x59d[4]	0x59e[4]
GP11/ ANA_D<5>	GPIO	5b3[5] ks		5b6[4] bb_dbg[8]			0x598[5]	0x599[5]	0x59a[5]	0x59b[5]	0x59d[5]	0x59e[5]
GP12/ ANA_D<6>/ Rbias_EXT	GPIO	5b3[6] ks					0x598[6]	0x599[6]	0x59a[6]	0x59b[6]	0x59d[6]	0x59e[6]
GP13/ ANA_D<7>	GPIO	5b3[7] ks		5b6[4] bb_dbg[9]			0x598[7]	0x599[7]	0x59a[7]	0x59b[7]	0x59d[7]	0x59e[7]
GP14/	GPIO	5b4[0]		5b6[4]			0x5a0[0]	0x5a1[0]	0x5a2[0]	0x5a3[0]	0x5a5[0]	0x5a6[0]

Pin	Default Function	Prio_0	Prio_1	Prio_2	Prio_3	Prio_4	GPIO setting						
							Input (R)	IE (High active)	OEN (Low active)	Output	DS	Act as GPIO	
ANA_E<0>		ks		bb_dbg[10]									
ANA_E<1>	GPIO	5b4[1] ks					0x5a0[1]	0x5a1[1]	0x5a2[1]	0x5a3[1]	0x5a5[1]	0x5a6[1]	
ANA_E<2>	GPIO	5b4[2] ks					0x5a0[2]	0x5a1[2]	0x5a2[2]	0x5a3[2]	0x5a5[2]	0x5a6[2]	
GP15/ ANA_E<3>	GPIO	5b4[3] ks		5b6[4] bb_dbg[11]			0x5a0[3]	0x5a1[3]	0x5a2[3]	0x5a3[3]	0x5a5[3]	0x5a6[3]	
GP16/ ANA_E<4>	GPIO	5b4[4] ks		5b6[4] bb_dbg[12]			0x5a0[4]	0x5a1[4]	0x5a2[4]	0x5a3[4]	0x5a5[4]	0x5a6[4]	
GP17/ ANA_E<5>	GPIO	5b4[5] ks		5b6[4] bb_dbg[13]			0x5a0[5]	0x5a1[5]	0x5a2[5]	0x5a3[5]	0x5a5[5]	0x5a6[5]	
CN/ uart_rts/ ANA_E<6>	CN	5b4[6] ks			5b6[5] uart_rts		0x5a0[6]	0x5a1[6]	0x5a2[6]	0x5a3[6]	0x5a5[6]	0x5a6[6]	
DI/ I2C_SDA/ ANA_E<7>	DI	5b4[7] ks					0x5a0[7]	0x5a1[7]	0x5a2[7]	0x5a3[7]	0x5a5[7]	0x5a6[7]	
DO/ uart_cts/ ANA_F<0>	DO				5b6[5] uart_cts		0x5a8[0]	0x5a9[0]	0x5aa[0]	0x5ab[0]	0x5ad[0]	0x5ae[0]	
CK/ I2C_SCL/ ANA_F<1>	CK						0x5a8[1]	0x5a9[1]	0x5aa[1]	0x5ab[1]	0x5ad[1]	0x5ae[1]	

*Notes:

- (1) ks: key_scan.
- (2) IE: Input enable (1), high active.
- (3) OEN: Output enable (0), low active.
- (4) Priority: acting as GPIO is the highest priority and prio0 > prio1 > prio2 > prio3 > prio4.
- (5) GPIO acts as input by default except ANA_B<0> and ANA_D<5:4>: ANA_B<0> and ANA_D<4> output 1, while ANA_D<5> outputs 0.
- (6) For all unused GPIOs, corresponding "IE" must be set as 0.
- (7) When SWS/ANA_A<0> "IE" is set as 1, this pin must be fixed as pull-up/pull-down

state (float state is not allowed).

7.1.2 Connection relationship between GPIO and related modules

GPIO can be used to generate GPIO interrupt signal for interrupt system, counting or control signal for Timer/Counter module, or GPIO2RISC interrupt signal for interrupt system.

For the “Exclusive Or (XOR)” operation result for input signal from any GPIO pin and respective “polarity” value, on one hand, it takes “And” operation with “irq” and generates GPIO interrupt request signal; on the other hand, it takes “And” operation with “m0/m1/m2”, and generates counting signal in Mode 1 or control signal in Mode 2 for Timer0/Timer1/Timer2, or generates GPIO2RISC interrupt request signal.

GPIO interrupt request signal = $| ((input \wedge polarity) \& irq);$

Counting (Mode 1) or control (Mode 2) signal for Timer0 = $| ((input \wedge polarity) \& m0);$

Counting (Mode 1) or control (Mode 2) signal for Timer1 = $| ((input \wedge polarity) \& m1);$

Counting (Mode 1) or control (Mode 2) signal for Timer2 = $| ((input \wedge polarity) \& m2);$

GPIO2RISC[0] interrupt request signal = $| ((input \wedge polarity) \& m0);$

GPIO2RISC[1] interrupt request signal = $| ((input \wedge polarity) \& m1);$

GPIO2RISC[2] interrupt request signal = $| ((input \wedge polarity) \& m2);$

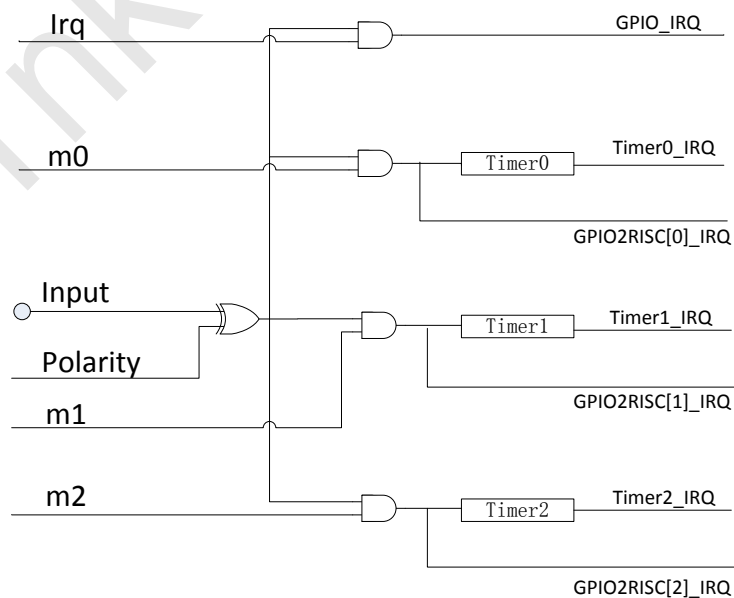


Figure 7- 1 Logic relationship between GPIO and related modules

Please refer to Table 7-2 and Table 6- 1 to learn how to configure GPIO for interrupt system or Timer/Counter (Mode 1 or Mode 2).

- (1) First enable GPIO function, IE and disable OEN.
- (2) GPIO IRQ signal: Select GPIO interrupt trigger edge (positive edge or negative edge) via configuring “Polarity”, and set corresponding GPIO interrupt enabling bit “Irq”. Then set address 0x5b5[3] to enable GPIO IRQ. Finally enable GPIO interrupt (irq_gpio at address 0x642[2]).

User can read addresses 0x5e0 ~ 0x5e5 to see which GPIO asserts GPIO interrupt request signal. **Note:** 0x5e0[7:0] --> ANA_A<7>~ANA_A<0>, 0x5e1[7:0] --> ANA_B<7>~ANA_B<0>, 0x5e2[7:0] --> ANA_C<7>~ANA_C<0>, 0x5e3[7:0] --> ANA_D<7>~ANA_D<0>, 0x5e4[7:0] --> ANA_E<7>~ANA_E<0>, 0x5e5[1:0] --> ANA_F<1>~ANA_F<0>.

- (3) Timer/Counter counting or control signal: Configure “Polarity” (In Mode 1, it determines GPIO edge when Timer Tick counting increases; in Mode 2, it determines GPIO edge when Timer Tick starts counting) and set “m0/m1/m2”. User can read addresses 0x5e8~0x5ed/0x5f0~0x5f5/0x5f8~0x5fd to see which GPIO asserts counting signal (in Mode 1) or control signal (in Mode 2) for Timer0/Timer1/Timer2. **Note:** **Timer0:** 0x5e8[7:0] --> ANA_A<7>~ANA_A<0>, 0x5e9[7:0] --> ANA_B<7>~ANA_B<0>, 0x5ea[7:0] --> ANA_C<7>~ANA_C<0>, 0x5eb[7:0] --> ANA_D<7>~ANA_D<0>, 0x5ec[7:0] --> ANA_E<7>~ANA_E<0>, 0x5ed[1:0] --> ANA_F<1>~ANA_F<0>; **Timer1:** 0x5f0[7:0] --> ANA_A<7>~ANA_A<0>, 0x5f1[7:0] --> ANA_B<7>~ANA_B<0>, 0x5f2[7:0] --> ANA_C<7>~ANA_C<0>, 0x5f3[7:0] --> ANA_D<7>~ANA_D<0>, 0x5f4[7:0] --> ANA_E<7>~ANA_E<0>, 0x5f5[1:0] --> ANA_F<1>~ANA_F<0>; **Timer2:** 0x5f8[7:0] --> ANA_A<7>~ANA_A<0>, 0x5f9[7:0] --> ANA_B<7>~ANA_B<0>, 0x5fa[7:0] --> ANA_C<7>~ANA_C<0>, 0x5fb[7:0] --> ANA_D<7>~ANA_D<0>, 0x5fc[7:0] --> ANA_E<7>~ANA_E<0>, 0x5fd[1:0] --> ANA_F<1>~ANA_F<0>.

(4) GPIO2RISC IRQ signal: Select GPIO2RISC interrupt trigger edge (positive edge or negative edge) via configuring “Polarity”, and set corresponding GPIO enabling bit “m0”/“m1”/“m2”. Enable GPIO2RISC[0]/GPIO2RISC[1]/GPIO2RISC[2] interrupt, i.e. “gpio2risc[0]” (address 0x642[5]) / “gpio2risc[1]”(address 0x642[6]) /“gpio2risc[2]” (address 0x642[7]).

User can read addresses 0x5e8~0x5ed/0x5f0~0x5f5/0x5f8~0x5fd to see which GPIO asserts GPIO2RISC[0]/GPIO2RISC[1]/GPIO2RISC[2] interrupt request signal. **Note: GPIO2RISC[0]:** 0x5e8[7:0] --> ANA_A<7>~ANA_A<0>, 0x5e9[7:0] --> ANA_B<7>~ANA_B<0>, 0x5ea[7:0] --> ANA_C<7>~ANA_C<0>, 0x5eb[7:0] --> ANA_D<7>~ANA_D<0>, 0x5ec[7:0] --> ANA_E<7>~ANA_E<0>, 0x5ed[1:0] --> ANA_F<1>~ANA_F<0>; **GPIO2RISC[1]:** 0x5f0[7:0] --> ANA_A<7>~ANA_A<0>, 0x5f1[7:0] --> ANA_B<7>~ANA_B<0>, 0x5f2[7:0] --> ANA_C<7>~ANA_C<0>, 0x5f3[7:0] --> ANA_D<7>~ANA_D<0>, 0x5f4[7:0] --> ANA_E<7>~ANA_E<0>, 0x5f5[1:0] --> ANA_F<1>~ANA_F<0>; **GPIO2RISC[2]:** 0x5f8[7:0] --> ANA_A<7>~ANA_A<0>, 0x5f9[7:0] --> ANA_B<7>~ANA_B<0>, 0x5fa[7:0] --> ANA_C<7>~ANA_C<0>, 0x5fb[7:0] --> ANA_D<7>~ANA_D<0>, 0x5fc[7:0] --> ANA_E<7>~ANA_E<0>, 0x5fd[1:0] --> ANA_F<1>~ANA_F<0>.

Table 7- 2 GPIO lookup table2

Pin	Input (R)	Polarity 1: active low 0: active high	Irq	m0	m1	m2
SWS/ANA_A<0>	0x580[0]	0x584[0]	0x587[0]	0x5b8[0]	0x5c0[0]	0x5c8[0]
PWM3/ANA_A<1>	0x580[1]	0x584[1]	0x587[1]	0x5b8[1]	0x5c0[1]	0x5c8[1]
MSDI/ANA_A<2>	0x580[2]	0x584[2]	0x587[2]	0x5b8[2]	0x5c0[2]	0x5c8[2]
MCLK/ANA_A<3>	0x580[3]	0x584[3]	0x587[3]	0x5b8[3]	0x5c0[3]	0x5c8[3]
GP18/PWM3_N/ANA_A<4>	0x580[4]	0x584[4]	0x587[4]	0x5b8[4]	0x5c0[4]	0x5c8[4]
PWM4/ANA_A<5>	0x580[5]	0x584[5]	0x587[5]	0x5b8[5]	0x5c0[5]	0x5c8[5]
GP19/PWM4_N/ANA_A<6>	0x580[6]	0x584[6]	0x587[6]	0x5b8[6]	0x5c0[6]	0x5c8[6]

Pin	Input (R)	Polarity 1: active low 0: active high	Irq	m0	m1	m2
SWM/ANA_A<7>	0x580[7]	0x584[7]	0x587[7]	0x5b8[7]	0x5c0[7]	0x5c8[7]
PWM5/ANA_B<0>	0x588[0]	0x58c[0]	0x58f[0]	0x5b9[0]	0x5c1[0]	0x5c9[0]
GP20/PWM5_N/ANA_B<1>	0x588[1]	0x58c[1]	0x58f[1]	0x5b9[1]	0x5c1[1]	0x5c9[1]
MSDO/ANA_B<2>	0x588[2]	0x58c[2]	0x58f[2]	0x5b9[2]	0x5c1[2]	0x5c9[2]
MSCN/ANA_B<3>	0x588[3]	0x58c[3]	0x58f[3]	0x5b9[3]	0x5c1[3]	0x5c9[3]
DM/ANA_B<5>	0x588[5]	0x58c[5]	0x58f[5]	0x5b9[5]	0x5c1[5]	0x5c9[5]
DP/ANA_B<6>	0x588[6]	0x58c[6]	0x58f[6]	0x5b9[6]	0x5c1[6]	0x5c9[6]
GP0/PWM0_N/ANA_B<7>	0x588[7]	0x58c[7]	0x58f[7]	0x5b9[7]	0x5c1[7]	0x5c9[7]
PWM0/ANA_C<0>	0x590[0]	0x594[0]	0x597[0]	0x5ba[0]	0x5c2[0]	0x5ca[0]
GP1/PWM1_N/ANA_C<1>	0x590[1]	0x594[1]	0x597[1]	0x5ba[1]	0x5c2[1]	0x5ca[1]
PWM1_N/ANA_C<2>	0x590[2]	0x594[2]	0x597[2]	0x5ba[2]	0x5c2[2]	0x5ca[2]
GP2/PMW1/ANA_C<3>	0x590[3]	0x594[3]	0x597[3]	0x5ba[3]	0x5c2[3]	0x5ca[3]
PWM2/ANA_C<4>	0x590[4]	0x594[4]	0x597[4]	0x5ba[4]	0x5c2[4]	0x5ca[4]
GP3/PWM2_N/ANA_C<5>	0x590[5]	0x594[5]	0x597[5]	0x5ba[5]	0x5c2[5]	0x5ca[5]
GP4/uart_tx/ANA_C<6>	0x590[6]	0x594[6]	0x597[6]	0x5ba[6]	0x5c2[6]	0x5ca[6]
GP5/uart_rx/ANA_C<7>	0x590[7]	0x594[7]	0x597[7]	0x5ba[7]	0x5c2[7]	0x5ca[7]
GP6/uart_rts/ANA_D<0>	0x598[0]	0x59c[0]	0x59f[0]	0x5bb[0]	0x5c3[0]	0x5cb[0]
GP7/uart_cts/ANA_D<1>	0x598[1]	0x59c[1]	0x59f[1]	0x5bb[1]	0x5c3[1]	0x5cb[1]
GP8/PWM3/ANA_D<2>	0x598[2]	0x59c[2]	0x59f[2]	0x5bb[2]	0x5c3[2]	0x5cb[2]
GP9/PWM4/ANA_D<3>	0x598[3]	0x59c[3]	0x59f[3]	0x5bb[3]	0x5c3[3]	0x5cb[3]
GP10/ANA_D<4>	0x598[4]	0x59c[4]	0x59f[4]	0x5bb[4]	0x5c3[4]	0x5cb[4]
GP11/ANA_D<5>	0x598[5]	0x59c[5]	0x59f[5]	0x5bb[5]	0x5c3[5]	0x5cb[5]
GP12/ANA_D<6>/Rbias_EXT	0x598[6]	0x59c[6]	0x59f[6]	0x5bb[6]	0x5c3[6]	0x5cb[6]
GP13/ANA_D<7>	0x598[7]	0x59c[7]	0x59f[7]	0x5bb[7]	0x5c3[7]	0x5cb[7]
GP14/ANA_E<0>	0x5a0[0]	0x5a4[0]	0x5a7[0]	0x5bc[0]	0x5c4[0]	x5cc[0]
ANA_E<1>	0x5a0[1]	0x5a4[1]	0x5a7[1]	0x5bc[1]	0x5c4[1]	0x5cc[1]

Pin	Input (R)	Polarity 1: active low 0: active high	Irq	m0	m1	m2
ANA_E<2>	0x5a0[2]	0x5a4[2]	0x5a7[2]	0x5bc[2]	0x5c4[2]	0x5cc[2]
GP15/ANA_E<3>	0x5a0[3]	0x5a4[3]	0x5a7[3]	0x5bc[3]	0x5c4[3]	0x5cc[3]
GP16/ANA_E<4>	0x5a0[4]	0x5a4[4]	0x5a7[4]	0x5bc[4]	0x5c4[4]	0x5cc[4]
GP17/ANA_E<5>	0x5a0[5]	0x5a4[5]	0x5a7[5]	0x5bc[5]	0x5c4[5]	0x5cc[5]
CN/uart_rts/ANA_E<6>	0x5a0[6]	0x5a4[6]	0x5a7[6]	0x5bc[6]	0x5c4[6]	0x5cc[6]
DI/I2C_SDA/ANA_E<7>	0x5a0[7]	0x5a4[7]	0x5a7[7]	0x5bc[7]	0x5c4[7]	0x5cc[7]
DO/uart_cts/ANA_F<0>	0x5a8[0]	0x5ac[0]	0x5af[0]	0x5bd[0]	0x5c5[0]	0x5cd[0]
CK/I2C_SCL/ANA_F<1>	0x5a8[1]	0x5ac[1]	0x5af[1]	0x5bd[1]	0x5c5[1]	0x5cd[1]

7.1.3 Pull-up/Pull-down resistor

All GPIOs support configurable 1MΩ/10KΩ pull-up resistor or 100KΩ pull-down resistor which are all disabled by default. Analog registers afe3V_reg10<4:7>~afe3V_reg20 serve to control the pull-up/pull-down resistor for each GPIO. Please refer to Table 7-3 for details.

Take the ANA_A<0> for example: Setting analog register afe3V_reg10<5:4> to 2b'01/2b'10/2b'11 is to enable 1MΩ pull-up resistor/10KΩ pull-up resistor/100KΩ pull-down resistor respectively for ANA_A<0>; Clearing the two bits disables pull-up and pull-down resistor for ANA_A<0>.

Table 7- 3 Analog registers for pull-up/pull-down resistor control

Address	Mnemonic	Default Value	Description
afe3V_reg10 <5:4>	pullupdown_ctrl <1:0>	00	Wake up mux ANA_A<0> pull up/down controls 00 -- No pull up/down resistor 01 -- 1MΩ pull-up resistor 10 -- 10kΩ pull-up resistor 11 -- 100kΩ pull-down resistor

Address	Mnemonic	Default Value	Description
afe3V_reg10 <7:6>	pullupdown_ctrl <1:0>	00	Wake up mux ANA_A<1> pull up/down controls 00 -- No pull up/down resistor 01 -- 1MOhm pull-up resistor 10 -- 10kOhm pull-up resistor 11 -- 100kOhm pull-down resistor
afe3V_reg11 <1:0>	pullupdown_ctrl <1:0>	00	Wake up mux ANA_A<2> pull up/down controls 00 -- No pull up/down resistor 01 -- 1MOhm pull-up resistor 10 -- 10kOhm pull-up resistor 11 -- 100kOhm pull-down resistor
afe3V_reg11 <3:2>	pullupdown_ctrl <1:0>	00	Wake up mux ANA_A<3> pull up/down controls 00 -- No pull up/down resistor 01 -- 1MOhm pull-up resistor 10 -- 10kOhm pull-up resistor 11 -- 100kOhm pull-down resistor
afe3V_reg11 <5:4>	pullupdown_ctrl <1:0>	00	Wake up mux ANA_A<4> pull up/down controls 00 -- No pull up/down resistor 01 -- 1MOhm pull-up resistor 10 -- 10kOhm pull-up resistor 11 -- 100kOhm pull-down resistor
afe3V_reg11 <7:6>	pullupdown_ctrl <1:0>	00	Wake up mux ANA_A<5> pull up/down controls 00 -- No pull up/down resistor 01 -- 1MOhm pull-up resistor 10 -- 10kOhm pull-up resistor 11 -- 100kOhm pull-down resistor
afe3V_reg12 <1:0>	pullupdown_ctrl <1:0>	00	Wake up mux ANA_A<6> pull up/down controls 00 -- No pull up/down resistor 01 -- 1MOhm pull-up resistor 10 -- 10kOhm pull-up resistor 11 -- 100kOhm pull-down resistor
afe3V_reg12 <3:2>	pullupdown_ctrl <1:0>	00	Wake up mux ANA_A<7> pull up/down controls 00 -- No pull up/down resistor 01 -- 1MOhm pull-up resistor 10 -- 10kOhm pull-up resistor 11 -- 100kOhm pull-down resistor
afe3V_reg12 <5:4>	pullupdown_ctrl <1:0>	00	Wake up mux ANA_B<0> pull up/down controls 00 -- No pull up/down resistor 01 -- 1MOhm pull-up resistor 10 -- 10kOhm pull-up resistor 11 -- 100kOhm pull-down resistor

Address	Mnemonic	Default Value	Description
afe3V_reg12 <7:6>	pullupdown_ctrl <1:0>	00	Wake up mux ANA_B<1> pull up/down controls 00 -- No pull up/down resistor 01 -- 1MOhm pull-up resistor 10 -- 10kOhm pull-up resistor 11 -- 100kOhm pull-down resistor
afe3V_reg13 <1:0>	pullupdown_ctrl <1:0>	00	Wake up mux ANA_B<2> pull up/down controls 00 -- No pull up/down resistor 01 -- 1MOhm pull-up resistor 10 -- 10kOhm pull-up resistor 11 -- 100kOhm pull-down resistor
afe3V_reg13 <3:2>	pullupdown_ctrl <1:0>	00	Wake up mux ANA_B<3> pull up/down controls 00 -- No pull up/down resistor 01 -- 1MOhm pull-up resistor 10 -- 10kOhm pull-up resistor 11 -- 100kOhm pull-down resistor
afe3V_reg13 <5:4>	pullupdown_ctrl <1:0>	00	rsvd
afe3V_reg13 <7:6>	pullupdown_ctrl <1:0>	00	Wake up mux ANA_B<5> pull up/down controls 00 -- No pull up/down resistor 01 -- 1MOhm pull-up resistor 10 -- 10kOhm pull-up resistor 11 -- 100kOhm pull-down resistor
afe3V_reg14 <1:0>	pullupdown_ctrl <1:0>	00	Wake up mux ANA_B<6> pull up/down controls 00 -- No pull up/down resistor 01 -- 1MOhm pull-up resistor 10 -- 10kOhm pull-up resistor 11 -- 100kOhm pull-down resistor
afe3V_reg14 <3:2>	pullupdown_ctrl <1:0>	00	Wake up mux ANA_B<7> pull up/down controls 00 -- No pull up/down resistor 01 -- 1MOhm pull-up resistor 10 -- 10kOhm pull-up resistor 11 -- 100kOhm pull-down resistor
afe3V_reg14 <5:4>	pullupdown_ctrl <1:0>	00	Wake up mux ANA_C<0> pull up/down controls 00 -- No pull up/down resistor 01 -- 1MOhm pull-up resistor 10 -- 10kOhm pull-up resistor 11 -- 100kOhm pull-down resistor

Address	Mnemonic	Default Value	Description
afe3V_reg14 <7:6>	pullupdown_ctrl <1:0>	00	Wake up mux ANA_C<1> pull up/down controls 00 -- No pull up/down resistor 01 -- 1MOhm pull-up resistor 10 -- 10kOhm pull-up resistor 11 -- 100kOhm pull-down resistor
afe3V_reg15 <1:0>	pullupdown_ctrl <1:0>	00	Wake up mux ANA_C<2> pull up/down controls 00 -- No pull up/down resistor 01 -- 1MOhm pull-up resistor 10 -- 10kOhm pull-up resistor 11 -- 100kOhm pull-down resistor
afe3V_reg15 <3:2>	pullupdown_ctrl <1:0>	00	Wake up mux ANA_C<3> pull up/down controls 00 -- No pull up/down resistor 01 -- 1MOhm pull-up resistor 10 -- 10kOhm pull-up resistor 11 -- 100kOhm pull-down resistor
afe3V_reg15 <5:4>	pullupdown_ctrl <1:0>	00	Wake up mux ANA_C<4> pull up/down controls 00 -- No pull up/down resistor 01 -- 1MOhm pull-up resistor 10 -- 10kOhm pull-up resistor 11 -- 100kOhm pull-down resistor
afe3V_reg15 <7:6>	pullupdown_ctrl <1:0>	00	Wake up mux ANA_C<5> pull up/down controls 00 -- No pull up/down resistor 01 -- 1MOhm pull-up resistor 10 -- 10kOhm pull-up resistor 11 -- 100kOhm pull-down resistor
afe3V_reg16 <1:0>	pullupdown_ctrl <1:0>	00	Wake up mux ANA_C<6> pull up/down controls 00 -- No pull up/down resistor 01 -- 1MOhm pull-up resistor 10 -- 10kOhm pull-up resistor 11 -- 100kOhm pull-down resistor
afe3V_reg16 <3:2>	pullupdown_ctrl <1:0>	00	Wake up mux ANA_C<7> pull up/down controls 00 -- No pull up/down resistor 01 -- 1MOhm pull-up resistor 10 -- 10kOhm pull-up resistor 11 -- 100kOhm pull-down resistor
afe3V_reg16 <5:4>	pullupdown_ctrl <1:0>	00	Wake up mux ANA_D<0> pull up/down controls 00 -- No pull up/down resistor 01 -- 1MOhm pull-up resistor 10 -- 10kOhm pull-up resistor 11 -- 100kOhm pull-down resistor

Address	Mnemonic	Default Value	Description
afe3V_reg16 <7:6>	pullupdown_ctrl <1:0>	00	Wake up mux ANA_D<1> pull up/down controls 00 -- No pull up/down resistor 01 -- 1MOhm pull-up resistor 10 -- 10kOhm pull-up resistor 11 -- 100kOhm pull-down resistor
afe3V_reg17 <1:0>	pullupdown_ctrl <1:0>	00	Wake up mux ANA_D<2> pull up/down controls 00 -- No pull up/down resistor 01 -- 1MOhm pull-up resistor 10 -- 10kOhm pull-up resistor 11 -- 100kOhm pull-down resistor
afe3V_reg17 <3:2>	pullupdown_ctrl <1:0>	00	Wake up mux ANA_D<3> pull up/down controls 00 -- No pull up/down resistor 01 -- 1MOhm pull-up resistor 10 -- 10kOhm pull-up resistor 11 -- 100kOhm pull-down resistor
afe3V_reg17 <5:4>	pullupdown_ctrl <1:0>	00	Wake up mux ANA_D<4> pull up/down controls 00 -- No pull up/down resistor 01 -- 1MOhm pull-up resistor 10 -- 10kOhm pull-up resistor 11 -- 100kOhm pull-down resistor
afe3V_reg17 <7:6>	pullupdown_ctrl <1:0>	00	Wake up mux ANA_D<5> pull up/down controls 00 -- No pull up/down resistor 01 -- 1MOhm pull-up resistor 10 -- 10kOhm pull-up resistor 11 -- 100kOhm pull-down resistor
afe3V_reg18 <1:0>	pullupdown_ctrl <1:0>	00	Wake up mux ANA_D<6> pull up/down controls 00 -- No pull up/down resistor 01 -- 1MOhm pull-up resistor 10 -- 10kOhm pull-up resistor 11 -- 100kOhm pull-down resistor
afe3V_reg18 <3:2>	pullupdown_ctrl <1:0>	00	Wake up mux ANA_D<7> pull up/down controls 00 -- No pull up/down resistor 01 -- 1MOhm pull-up resistor 10 -- 10kOhm pull-up resistor 11 -- 100kOhm pull-down resistor
afe3V_reg18 <5:4>	pullupdown_ctrl <1:0>	00	Wake up mux ANA_E<0> pull up/down controls 00 -- No pull up/down resistor 01 -- 1MOhm pull-up resistor 10 -- 10kOhm pull-up resistor 11 -- 100kOhm pull-down resistor

Address	Mnemonic	Default Value	Description
afe3V_reg18 <7:6>	pullupdown_ctrl <1:0>	00	Wake up mux ANA_E<1> pull up/down controls 00 -- No pull up/down resistor 01 -- 1MOhm pull-up resistor 10 -- 10kOhm pull-up resistor 11 -- 100kOhm pull-down resistor
afe3V_reg19 <1:0>	pullupdown_ctrl <1:0>	00	Wake up mux ANA_E<2> pull up/down controls 00 -- No pull up/down resistor 01 -- 1MOhm pull-up resistor 10 -- 10kOhm pull-up resistor 11 -- 100kOhm pull-down resistor
afe3V_reg19 <3:2>	pullupdown_ctrl <1:0>	00	Wake up mux ANA_E<3> pull up/down controls 00 -- No pull up/down resistor 01 -- 1MOhm pull-up resistor 10 -- 10kOhm pull-up resistor 11 -- 100kOhm pull-down resistor
afe3V_reg19 <5:4>	pullupdown_ctrl <1:0>	00	Wake up mux ANA_E<4> pull up/down controls 00 -- No pull up/down resistor 01 -- 1MOhm pull-up resistor 10 -- 10kOhm pull-up resistor 11 -- 100kOhm pull-down resistor
afe3V_reg19 <7:6>	pullupdown_ctrl <1:0>	00	Wake up mux ANA_E<5> pull up/down controls 00 -- No pull up/down resistor 01 -- 1MOhm pull-up resistor 10 -- 10kOhm pull-up resistor 11 -- 100kOhm pull-down resistor
afe3V_reg20 <1:0>	pullupdown_ctrl <1:0>	00	Wake up mux ANA_E<6> pull up/down controls 00 -- No pull up/down resistor 01 -- 1MOhm pull-up resistor 10 -- 10kOhm pull-up resistor 11 -- 100kOhm pull-down resistor
afe3V_reg20 <3:2>	pullupdown_ctrl <1:0>	00	Wake up mux ANA_E<7> pull up/down controls 00 -- No pull up/down resistor 01 -- 1MOhm pull-up resistor 10 -- 10kOhm pull-up resistor 11 -- 100kOhm pull-down resistor
afe3V_reg20 <5:4>	pullupdown_ctrl <1:0>	00	Wake up mux ANA_F<0> pull up/down controls 00 -- No pull up/down resistor 01 -- 1MOhm pull-up resistor 10 -- 10kOhm pull-up resistor 11 -- 100kOhm pull-down resistor

Address	Mnemonic	Default Value	Description
afe3V_reg20 <7:6>	pullupdown_ctrl <1:0>	00	Wake up mux ANA_F<1> pull up/down controls 00 -- No pull up/down resistor 01 -- 1MOhm pull-up resistor 10 -- 10kOhm pull-up resistor 11 -- 100kOhm pull-down resistor

7.2 SWM and SWS

The TLSR8266/TLSR8266F512/TLSR8266F128/TLSR8266F1K supports Single Wire interface. SWM (Single Wire Master) and SWS (Single Wire Slave) represent the master and slave device of the single wire communication system developed by Telink. The maximum data rate can be up to 2Mbps.

7.3 I2C

The TLSR8266/TLSR8266F512/TLSR8266F128/TLSR8266F1K embeds I2C hardware module, which could act as Master mode or Slave mode. I2C is a popular inter-IC interface requiring only 2 bus lines, a serial data line (SDA) and a serial clock line (SCL).

7.3.1 Communication protocol

Telink I2C module supports standard mode (100kbps), Fast-mode (400kbps) and Fast-mode plus (1Mbps) with restriction that system clock must be by at least 10x of data rate.

Two wires, SDA and SCL carry information between Master device and Slave device connected to the bus. Each device is recognized by unique address (ID). Master device is the device which initiates a data transfer on the bus and generates the clock signals to permit that transfer. Slave device is the device addressed by a master.

Both SDA and SCL are bidirectional lines connected to a positive supply voltage via a pull-up resistor. It's recommended to use the internal 10K pull-up resistor first. In

order to speed up the pull-up process, user can use external pull-up resistor with smaller resistance value (e.g. 3.3K or 4.7K) instead.

When the bus is free, both lines are HIGH. It's noted that data in SDA line must keep stable when clock signal in SCL line is at high level, and level state in SDA line is only allowed to change when clock signal in SCL line is at low level.

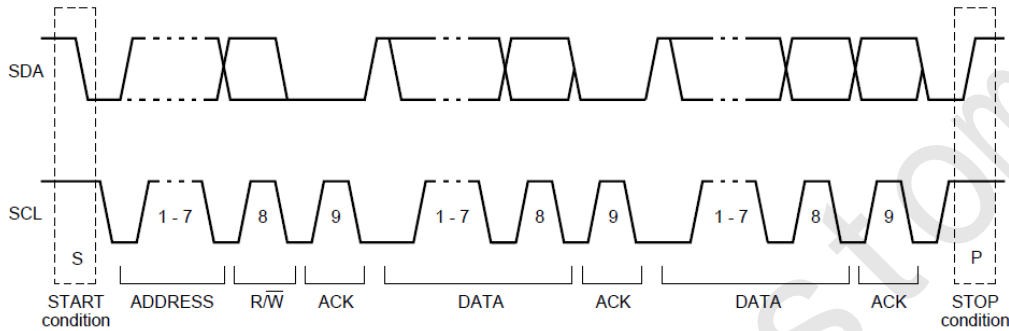


Figure 7-2 I2C timing chart

7.3.2 Register table

Table 7-4 Register configuration for I2C

Address	Name	R/W	Description	Reset Value
0x00	I2CSP	RW	I2C master clock speed	0x13
0x01	I2CID	RW	[7:1] I2C ID	0x5c
0x02	I2CMST	RW	[0]: master busy [1]: master packet busy [2]: master received status: 0 for ACK; 1 for NAK	
0x03	I2CSCT	RW	[0]: address auto increase enable [1]: I2C master enable [2] enable Mapping Mode	0x01
0x04	I2CAD	RW	[7:0] data buffer in master mode	0x5a
0x05	I2CDW	RW	[7:0] Data buffer in master mode	0xf1
0x06	I2CDR	RW	[7:0] Data buffer for Read or Write in master mode	0x00

Address	Name	R/W	Description	Reset Value
0x07	I2CCLT	R/W	[0]: launch ID cycle [1]: launch address cycle [2]: launch data write cycle [3]: launch data read cycle [4]: launch start cycle [5]: launch stop cycle [6]: enable read ID [7]: enable ACK in read command	0x00
0x21	i2c_status		[0]:host_rd_clear_en [1]:host_cmd_irq_o:i2c host operation have happened [2]:host_rd_tag_stat:i2c host operation have happened and is read operation	0x01
0x22	clear_stats		[0]:write 1 clear software_irq [1]:write 1 clear host_cmd_irq [2]:write 1 clear host_rd_tag_stat [4]:write 1 set software_irq [5]:write 1 clear ana_irq	
0x3e	Reg_host_map_adrl	R/W	Lower byte of Mapping mode buffer address	0x80
0x3f	Reg_host_map_adrh	R/W	Higher byte of Mapping mode buffer address	0xd7
0x20	Reg_host_map_status	R	[6:0] I2C read address	0x00

7.3.3 I2C Slave mode

I2C module of the TLSR8266/TLSR8266F512/TLSR8266F128/TLSR8266F1K acts as Slave mode by default. I2C slave address can be configured via register I2CID (address 0x01) [7:1].

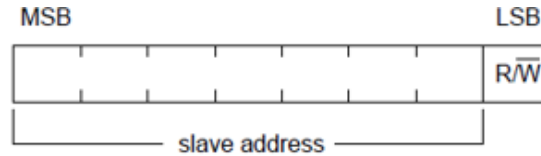


Figure 7- 3 Byte consisted of slave address and R/W flag bit

I2C slave mode supports two sub modes including Direct Memory Access (DMA) mode and Mapping mode, which is selectable via address 0x03[2].

In I2C Slave mode, Master could initiate transaction anytime. I2C slave module will reply with ACK automatically. To monitor the start of I2C transaction, user could set interrupt from GPIO for SCA or SCL.

7.3.3.1 DMA mode

In DMA mode, other devices (Master) could access (read/write) designated address in Register and/or SRAM of the TLSR8266/TLSR8266F512/TLSR8266F128/TLSR8266F1K according to I2C protocol. I2C module of the TLSR8266/TLSR8266F512/TLSR8266F128/TLSR8266F1K will execute the read/write command from I2C master automatically. But user needs to notice that the system clock shall be at least 10x faster than I2C bit rate.

The access address designated by Master is offset by 0x800000. In the TLSR8266/TLSR8266F512/TLSR8266F128/TLSR8266F1K, Register address starts from 0x800000 and SRAM address starts from 0x808000. For example, if Addr High(AddrH) is 0xaa and Addr Low (AddrL) is 0xcc, the real address of accessed data is 0x80aacc.

In DMA mode, Master could read/write data byte by byte. The designated access address is initial address and it supports auto increment by setting address 0x03[0] to 1b'1.

Read Format in DMA mode

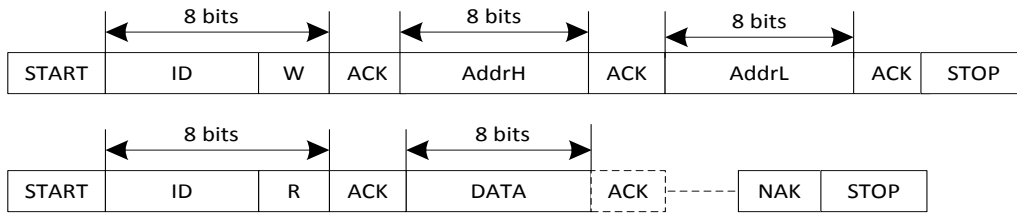


Figure 7- 4 Read format in DMA mode

Write Format in DMA mode



Figure 7- 5 Write format in DMA mode

7.3.3.2 Mapping mode

Mapping mode could be enabled via setting register I2CSCT (address 0x03)[2] to 1b'1.

In Mapping mode, data written and read by I2C master will be redirected to specified 128-byte buffer in SRAM. User could specify the initial address of the buffer by configuring registers `reg_host_map_adrl` (address 0x3e, lower byte) and `reg_host_map_adrh` (address 0x3f, higher byte). The first 64-byte buffer is for written data and following 64-byte buffer is for read data. Every time the data access will start from the beginning of the Write-buffer/Read-buffer after I2C stop condition occurs. The last accessed data address could be checked in register `reg_host_map_status` (address 0x20) [6:0] which is only updated after I2C STOP occurs.

Read Format in mapping mode

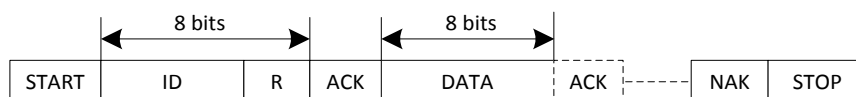


Figure 7- 6 Read format in Mapping mode

Write Format in mapping mode

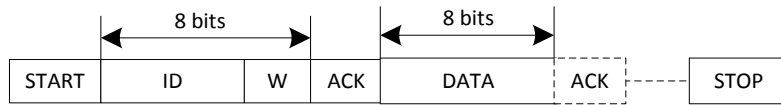


Figure 7- 7 Write format in Mapping mode

7.3.4 I2C Master mode

Address 0x03[1] should be set to 1b'1 to enable I2C master mode for the TLSR8266/TLSR8266F512/TLSR8266F128/TLSR8266F1K.

Address 0x00 serves to set I2C Master clock: $F_{I2C} = (\text{System Clock}/(\text{address } 0x73[7:4]+1)) / (4 * \text{clock speed configured in address } 0x00)$. Since address 0x73[7:4] is set as 1 by default, the default F_{I2C} equals System Clock / (8 * address 0x00). If 0x73[7:4] is set as 0, F_{I2C} will change to System Clock / (4 * address 0x00).

A complete I2C protocol contains START, Slave Address, R/W bit, data, ACK and STOP. Slave address could be configured via address 0x01[7:1].

I2C Master could send START, Slave Address, R/W bit, data and STOP by configuring address 0x07. I2C master will send enabled cycles with correct sequence.

Address 0x02 serves to indicate whether Master/Master packet is busy, as well as Master received status. Bit[0] will be set to 1 when one byte is being sent, and the bit can be automatically cleared after a start signal/ address byte/acknowledge signal/data /stop signal is sent. Bit[1] is set to 1 when the start signal is sent, and the bit will be automatically cleared after the stop signal is sent. Bit[2] indicates whether to succeed in sending acknowledgement signal.

7.3.4.1 I2C Master Write transfer

I2C Master has 3 byte buffer for write data, which are I2CAD (0x04), I2CDW (0x05) and I2CDR (0x06). Write transfer will be completed by I2C master module.

For example, to implement an I2C write transfer with 3 byte data, which contains START, Slave Address, Write bit, ack from Slave, 1st byte, ack from slave, 2nd byte, ack from slave, 3rd byte, ack from slave and STOP, user needs to configure I2C slave

address to I2CID (0x01) [7:1], 1st byte data to I2CAD, 2nd byte data to I2CDW and 3rd byte to I2CDR. To start I2C write transfer, I2CCLT (0x07) is configured to 0x3f. I2C Master will launch START, Slave address, Write bit, load ACK to I2CMST (0x02) [2], send I2CAD data, load ACK to I2CMST[2], send I2CDW data, load ACK to I2CMST[2], send I2CDR data, load ACK to I2CMST[2] and then STOP sequentially.

For I2C write transfer whose data is more than 3 bytes, user could split the cycles according to I2C protocol.

7.3.4.2 I2C Master Read transfer

I2C Master has one byte buffer for read data, which is I2CDR (0x06). Read transfer will be completed by I2C Master.

For example, to implement an I2C read transfer with 1 byte data, which contains START, Slave Address, Read bit, Ack from Slave, 1st byte from Slave, Ack by master and STOP, user needs to configure I2C slave address to I2CID (0x01) [7:1]. To start I2C read transfer, I2CCLT (0x07) is configured to 0xf9. I2C Master will launch START, Slave address, Read bit, load ACK to I2CMST (0x02) [2], load data to I2CDR, reply ACK and then STOP sequentially.

For I2C read transfer whose data is more than 1 bytes, user could split the cycles according to I2C protocol.

7.3.5 I2C and SPI Usage

I2C hardware and SPI hardware modules in the chip share part of the hardware, as a result, when both hardware interfaces are used, the restrictions listed within this section need to be taken into consideration.

I2C and SPI hardware cannot be used as Slave at the same time. I2C Slave mode and SPI Master mode cannot be used at the same time. I2C Master mode and SPI Slave mode cannot be used at the same time.

I2C and SPI can be used as Master at the same time only when specific GPIO pins are configured as I2C and SPI pins, respectively. Please refer to corresponding SDK instructions for details.

7.4 SPI

The TLSR8266/TLSR8266F512/TLSR8266F1K embeds SPI (Serial Peripheral interface), which could act as Master mode or Slave mode. SPI is a high-speed, full-duplex and synchronous communication bus requiring 4 bus lines including a chip select (CS) line, a data input (DI) line, a data output (DO) line and a clock (CK) line.

7.4.1 Register table

Table 7- 5 Register configuration for SPI

Address	Name	R/W	Description	Reset Value
0x08	SPIDAT	RW	SPI data access	
0x09	SPICT	RW	[0]: p_csn [1]: enable master mode [2]: spi data output disable [3]: 1 for read command; 0 for write command [4]: address auto increase [5]: share_mode [6]: busy status	11
0x0a	SPISP	RW	[6:0]: SPI clock speed [7]: SPI function mode, p_csn, p_scl, p_sda and p_sdo function as SPI if 1	05
0x0b	SPIMODE	RW	[0]: inverse SPI clock output [1]: dat delay half clk	0
0x0c	MSPIDAT	RW	Memory SPI data access	
0x0d	MSPICT	RW	[0]: p_mcsn [1]: rsvd [2]: continuous mode	11

Address	Name	R/W	Description	Reset Value
			[3]: 1 for read command; 0 for write command [4]: address auto increase	
0x0e	MSPIRA	RW	Memory SPI read command ID	0b
0x0f	MSPIMODE	RW	[0]: dual data mode [1]: dual address mode [7:2]: MSPI clock speed	0

7.4.2 SPI Master mode

SPI for the TLSR8266/TLSR8266F512/TLSR8266F1K supports both master mode and slave mode and acts as slave mode by default. Address 0x09 bit[1] should be set to 1b'1 to enable SPI Master mode.

Register SPISP is to configure SPI pin and clock: setting address 0x0a bit[7] to 1 is to enable SPI function mode, and corresponding pins can be used as SPI pins; SPI clock = system clock/((clock speed configured in address 0x0a bit[6:0] +1)*2). Address 0x08 serves as the data register. One reading/writing operation of 0x08 enables the SPI_CLK pin to generate 8 SPI clock cycles.

Telink SPI supports four standard working modes: Mode 0~Mode 3. Register SPIMODE (address 0x0b) serves to select one of the four SPI modes:

Table 7- 6 SPI mode

SPI mode	CPOL/CPHA	SPIMODE register (Address 0x0b)
Mode 0	CPOL=0, CPHA=0	bit[0]=0, bit[1]=0
Mode 1	CPOL=0, CPHA=1	bit[0]=0, bit[1]=1
Mode 2	CPOL=1, CPHA=0	bit[0]=1, bit[1]=0
Mode 3	CPOL=1, CPHA=1	bit[0]=1, bit[1]=1
CPOL: Clock Polarity When CPOL=0, SPI_CLK keeps low level in idle state; When CPOL=1, SPI_CLK keeps high level in idle state.		

SPI mode	CPOL/CPHA	SPIMODE register (Address 0x0b)
CPHA: Clock Phase When CPHA=0, data is sampled at the first edge of clock period When CPHA=1, data is sampled at the latter edge of clock period		

Address 0x09 bit[0] is to control the CS line: when the bit is set to 1, the CS level is high; when the bit is cleared, the CS level is low. Address 0x09 bit[2] is the disabling bit for SPI Master output. When the bit is cleared, MCU writes data into address 0x08, then the SPI_DO pin outputs the data bit by bit during the 8 clock cycles generated by the SPI_CK pin. When the bit is set to 1b'1, SPI_DO output is disabled.

Address 0x09 bit[3] is the enabling bit for SPI Master reading data function. When the bit is set to 1b'1, MCU reads the data from address 0x08, then the input data from the SPI_DI pin is shifted into address 0x08 during the 8 clock cycles generated by the SPI_CK pin. When the bit is cleared, SPI Master reading function is disabled. Address 0x09[5] is the enabling bit for share mode, i.e. whether SPI_DI and SPI_DO share one common line.

Users can read address 0x09 bit[6] to get SPI busy status, i.e. whether the 8 clock pulses have been sent.

7.4.3 SPI Slave mode

SPI for the TLSR8266/TLSR8266F512/TLSR8266F1K acts as slave mode by default. SPI Slave mode support DMA. User could access registers of the TLSR8266/TLSR8266F512/TLSR8266F1K by SPI interface. It's noted that system clock of TLSR8266/TLSR8266F512/TLSR8266F1K shall be at least 5x faster than SPI clock for reliable connection. Address 0x0a should be written with data 0xa5 by the SPI host to activate SPI slave mode.

Address 0x09[4] is dedicated for SPI Slave mode and indicates address auto increment. SPI write command format and read command format are illustrated in Figure 7-8:

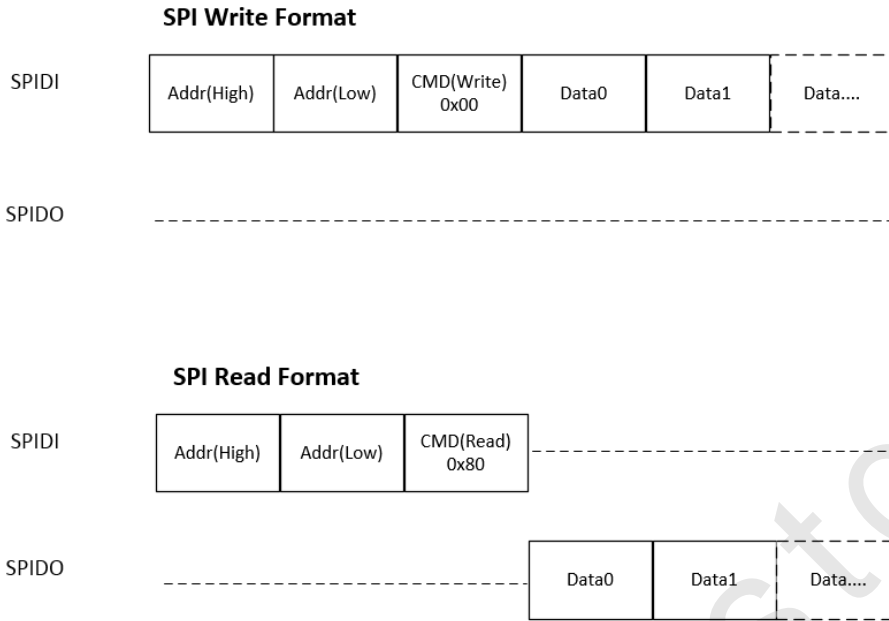


Figure 7- 8 SPI write/read command format

7.4.4 I2C and SPI Usage

I2C hardware and SPI hardware modules in the chip share part of the hardware, as a result, when both hardware interfaces are used, certain restrictions apply. See

Section 7.3.5 I2C and SPI Usage for detailed instructions.

7.5 UART

The TLSR8266/TLSR8266F512/TLSR8266F128/TLSR8266F1K embeds UART (Universal Asynchronous Receiver/Transmitter) to implement full-duplex transmission and reception. Both TX and RX interface are 4-layer FIFO (First In First Out) interface. Hardware flow control is also supported by the TLSR8266/TLSR8266F512/TLSR8266F1K via RTS and CTS (Note: TLSR8266F128 UART does not support hardware flow control since the RTS and CTS interface are not available).

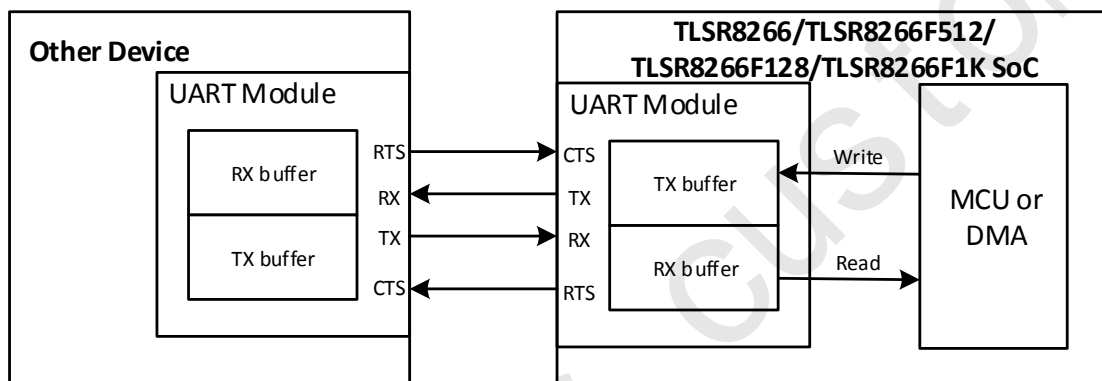


Figure 7- 9 UART communication

As shown in Figure 7-9, data to be sent is first written into TX buffer by MCU or DMA, then UART module transmits the data from TX buffer to other device via pin TX. Data to be read from other device is first received via pin RX and sent to RX buffer, then the data is read by MCU or DMA.

If RX buffer of the TLSR8266/TLSR8266F512/TLSR8266F1K UART is close to full, the TLSR8266/TLSR8266F512/TLSR8266F1K will send a signal (configurable high or low level) via pin RTS to inform other device that it should stop sending data. Similarly, if the TLSR8266/TLSR8266F512/TLSR8266F1K receives a signal from pin CTS, it indicates that RX buffer of other device is close to full and the TLSR8266/TLSR8266F512/TLSR8266F1K should stop sending data.

Table 7- 7 Register configuration for UART

Address	Name	R/W	Description	Reset Value
0x90	uart_data_buf0	R/W	write/read buffer[7:0]	
0x91	Uart_data_buf1	R/W	Write/read buffer[15:8]	
0x92	Uart_data_buf2	RW	Write/read buffer[23:16]	
0x93	Uart_data_buf3	R/W	Write/read buffer[31:24]	
0x94	uart_clk_div[7:0]	RW	uart clk div register:	0xff
0x95	Uart_clk_div[15:8]	R/W	uart_sclk = sclk/(uart_clk_div[14:0]+1) uart_clk_div[15] : 1:enable clock divider,0: disable.	0x0f
0x96	Uart_ctrl0	R/W	[3:0] bwpc, bit width, should be larger than 2 Baudrate = uart_sclk/(bwpc+1) [4] rx dma enable [5] tx dma enable [6] rx interrupt enable [7]tx interrupt enable	0x0f
0x97	Uart_ctrl1	R/W	[0] cts select, 0: cts_i, 1: cts_i inverter [1]:cts enable, 1: enable, 0, disable [2]:Parity, 1: enable, 0 :disable [3]: even Parity or odd [5:4]: stop bit 00: 1 bit, 01, 1.5bit 1x: 2bits [6]: ttl [7] uart tx, rx loopback	0x0e
0x98	Uart_ctrl2	R/W	[3:0] rts trig level [4] rts Parity [5] rts manual value [6] rts manual enable [7] rts enable	0xa5
0x99	Uart_ctrl3	R/W	[3:0]: rx_irq_trig level [7:4] tx_irq_trig level	0x44
0x9a	R_rxtimeout_o[7:0]	R/W	The setting is transfer one bytes need cycles base on uart_clk. For example, if transfer one bytes (1start bit+8bits data+1 priority bit+2stop bits) total 12 bits, this register setting should be (bwpc+1)*12.	0x0f
0x9b	R_rxtimeout_o[9:8]	R/W	2'b00:rx timeout time is r_rxtimeout[7:0] 2'b01:rx timeout time is r_rxtimeout[7:0]*2 2'b10:rx timeout time is r_rxtimeout[7:0]*3 3'b11: rx timeout time is r_rxtimeout[7:0]*4 R_rxtimeout is for rx dma to decide the end of each transaction. Supposed the	0x00

Address	Name	R/W	Description	Reset Value
			interval between each byte in one transaction is very short.	
0x9c	Buf_cnt	R	[3:0]: r_buf_cnt [7:4]:t_buf_cnt	
0x9d	Uart_sts	R	[2:0] rbcnt [3] irq [6:4]wbcnt [6] write 1 clear rx [7] rx_err, write 1 clear tx	

Addresses 0x90~0x93 serve to write data into TX buffer or read data from RX buffer.

Addresses 0x94~0x95 serve to configure UART clock.

Address 0x96 serves to set baud rate (bit[3:0]), enable RX/TX DMA mode (bit[4:5]), and enable RX/TX interrupt (bit[6:7]).

Address 0x97 mainly serves to configure CTS. Bit[1] should be set to 1b'1 to enable CTS. Bit[0] serves to configure CTS signal level. Bit[2:3] serve to enable parity bit and select even/odd parity. Bit[5:4] serve to select 1/1.5/2 bits for stop bit. Bit[6] serves to configure whether RX/TX level should be inverted.

Address 0x98 serves to configure RTS. Bit[7] and Bit[3:0] serve to enable RTS and configure RTS signal level.

Address 0x99 serves to configure the number of bytes in RX/TX buffer to trigger interrupt.

The number of bytes in RX/TX buffer can be read from address 0x9c.

8 PWM

The TLSR8266/TLSR8266F512/TLSR8266F128/TLSR8266F1K supports up to 6-channel PWM (Pulse-Width-Modulation) output depending on package option. Each PWM#n has its corresponding inverted output at PWM#n_Npin.

8.1 Register table

Table 8- 1 Register table for PWM

Address	Mnemonic	Type	Description	Reset Value
0x780	PWM_EN	R/W	[0]: 0--disable PWM0, 1--enable PWM0 [1]: 0--disable PWM1, 1--enable PWM1 [2]: 0--disable PWM2, 1--enable PWM2 [3]: 0--disable PWM3, 1--enable PWM3 [4]: 0--disable PWM4, 1--enable PWM4 [5]: 0--disable PWM5, 1--enable PWM5	0x00
0x781	PWM_CLK	R/W	(PWM_CLK+1)*sys_clk	0x00
0x782	PWM_MODE	R/W	[1:0]: 00-pwm0 normal mode [1:0]: 01-pwm0 count mode [1:0]: 11-pwm0 IR mode [3:2]: 00-pwm1 normal mode [3:2]: 01-pwm1 count mode [3:2]: 11-pwm1 IR mode	0x00
0x783	PWM_CC0	R/W	[5:0]:1 'b1 invert PWM output	0x00
0x784	PWM_CC1	R/W	[5:0]:1'b1 invert PWM_INV output	0x00
0x785	PWM_CC2	R/W	[5:0]:1'b1 PWM' pola,low level first	0x00
0x788	PWM_PHASE0	R/W	[7:0] bits 7-0 of PWM0's phase time	0x00
0x789	PWM_PHASE0	R/W	[15:8] bits 15-8 of PWM0's phase time	0x00
0x78a	PWM_PHASE1	R/W	[7:0] bits 7-0 of PWM1's phase time	0x00
0x78b	PWM_PHASE1	R/W	[7:8] bits 15-8 of PWM1's phase time	0x00
0x78c	PWM_PHASE2	R/W	[7:0] bits 7-0 of PWM2's phase time	0x00
0x78d	PWM_PHASE2	R/W	[15:8] bits 15-8 of PWM2's phase time	0x00
0x78e	PWM_PHASE3	R/W	[7:0] bits 7-0 of PWM3's phase time	0x00
0x78f	PWM_PHASE3	R/W	[15:8] bits 15-8 of PWM3's phase time	0x00
0x790	PWM_PHASE4	R/W	[7:0] bits 7-0 of PWM4's phase time	0x00
0x791	PWM_PHASE4	R/W	[15:8] bits 15-8 of PWM4's phase time	0x00
0x792	PWM_PHASE5	R/W	[7:0] bits 7-0 of PWM5's phase time	0x00
0x793	PWM_PHASE5	R/W	[15:8] bits 15-8 of PWM5's phase time	0x00

Address	Mnemonic	Type	Description	Reset Value
0x794	PWM_TCMP0	R/W	[7:0] bits 7-0 of PWM0's high time or low time(if pola[0]=1)	0x00
0x795	PWM_TCMP0	R/W	[15:8] bits 15-8 of PWM0's high time or low time	0x00
0x796	PWM_TMAX0	R/W	[7:0] bits 7-0 of PWM0's cycle time	0x00
0x797	PWM_TMAX0	R/W	[15:8] bits 15-8 of PWM0's cycle time	0x00
0x798	PWM_TCMP1	R/W	[7:0] bits 7-0 of PWM1's high time or low time(if pola[1]=1)	0x00
0x799	PWM_TCMP1	R/W	[15:8] bits 15-8 of PWM1's high time or low time	0x00
0x79a	PWM_TMAX1	R/W	[7:0] bits 7-0 of PWM1's cycle time	0x00
0x79b	PWM_TMAX1	R/W	[15:8] bits 15-8 of PWM1's cycle time	0x00
0x79c	PWM_TCMP2	R/W	[7:0] bits 7-0 of PWM2's high time or low time(if pola[2]=1)	0x00
0x79d	PWM_TCMP2	R/W	[15:8] bits 15-8 of PWM2's high time or low time	0x00
0x79e	PWM_TMAX2	R/W	[7:0] bits 7-0 of PWM2's cycle time	0x00
0x79f	PWM_TMAX2	R/W	[15:8] bits 15-8 of PWM2's cycle time	0x00
0x7a0	PWM_TCMP3	R/W	[7:0] bits 7-0 of PWM3's high time or low time(if pola[3]=1)	0x00
0x7a1	PWM_TCMP3	R/W	[15:8] bits 15-8 of PWM3's high time or low time	0x00
0x7a2	PWM_TMAX3	R/W	[7:0] bits 7-0 of PWM3's cycle time	0x00
0x7a3	PWM_TMAX3	R/W	[15:8] bits 15-8 of PWM3's cycle time	0x00
0x7a4	PWM_TCMP4	R/W	[7:0] bits 7-0 of PWM4's high time or low time(if pola[4]=1)	0x00
0x7a5	PWM_TCMP4	R/W	[15:8] bits 15-8 of PWM4's high time or low time	0x00
0x7a6	PWM_TMAX4	R/W	[7:0] bits 7-0 of PWM4's cycle time	0x00
0x7a7	PWM_TMAX4	R/W	[15:8] bits 15-8 of PWM4's cycle time	0x00
0x7a8	PWM_TCMP5	R/W	[7:0] bits 7-0 of PWM5's high time or low time(if pola[5]=1)	0x00
0x7a9	PWM_TCMP5	R/W	[15:8] bits 15-8 of PWM5's high time or low time	0x00
0x7aa	PWM_TMAX5	R/W	[7:0] bits 7-0 of PWM5's cycle time	0x00
0x7ab	PWM_TMAX5	R/W	[15:8] bits 15-8 of PWM5's cycle time	0x00

Address	Mnemonic	Type	Description	Reset Value
0x7ac	PWM_PNUM0	R/W	[7:0]PWM0 Pulse num in count mode and IR mode	0x00
0x7ad	PWM_PNUM0	R/W	[15:8]	0x00
0x7ae	PWM_PNUM1	R/W	[7:0]PWM1 Pulse num in count mode and IR mode	0x00
0x7af	PWM_PNUM1	R/W	[15:8]	0x00
0x7b0	PWM_MASK	R/W	INT mask [0] PWM0 Pnum int 0: disable 1: Enable [1] PWM1 Pnum int 0: disable 1: Enable [2] PWM0 frame int 0: disable 1: Enable [3] PWM1 frame int 0: disable 1: Enable [4] PWM2 frame int 0: disable 1: Enable [5] PWM3 frame int 0: disable 1: Enable [6] PWM4 frame int 0: disable 1: Enable [7] PWM5 frame int 0: disable 1: Enable	0x00
0x7b1	PWM_INT	R/W	INT status ,write 1 to clear [0]:PWM0 pnum int(have sent PNUM pulse,PWM_NCNT==PWM_PNUM) [1]:PWM1 pnum int [2]:PWM0 cycle done int(PWM_CNT==PWM_TMAX) [3]:PWM1 cycle done int(PWM_CNT==PWM_TMAX) [4]:PWM2 cycle done int(PWM_CNT==PWM_TMAX) [5]:PWM3 cycle done int(PWM_CNT==PWM_TMAX) [6]:PWM4 cycle done int(PWM_CNT==PWM_TMAX) [7]:PWM5 cycle done int(PWM_CNT==PWM_TMAX)	0x00
0x7b4	PWM_CNT0	R	[7:0]PWM 0 cnt value	

Address	Mnemonic	Type	Description	Reset Value
0x7b5	PWM_CNT0		[15:8]PWM 0 cnt value	
0x7b6	PWM_CNT1	R	[7:0]PWM 1 cnt value	
0x7b7	PWM_CNT1		[15:8]PWM 1 cnt value	
0x7b8	PWM_CNT2	R	[7:0]PWM 2 cnt value	
0x7b9	PWM_CNT2		[15:8]PWM 2 cnt value	
0x7ba	PWM_CNT3	R	[7:0]PWM 3 cnt value	
0x7bb	PWM_CNT3		[15:8]PWM 3 cnt value	
0x7bc	PWM_CNT4	R	[7:0]PWM 4 cnt value	
0x7bd	PWM_CNT4		[15:8]PWM 4 cnt value	
0x7be	PWM_CNT5	R	[7:0]PWM 5 cnt value	
0x7bf	PWM_CNT5		[15:8]PWM 5 cnt value	
0x7c0	PWM_NCNT0	R	[7:0]PWM0 pluse_cnt value	
0x7c1	PWM_NCNT0		[15:8]PWM0 pluse_cnt value	
0x7c2	PWM_NCNT1	R	[7:0]PWM1 pluse_cnt value	
0x7c3	PWM_NCNT1		[15:8]PWM1 pluse_cnt value	

8.2 Enable PWM

Register PWM_EN (address 0x780)[5:0] serves to enable PWM5~PWM0 respectively via writing “1” for the corresponding bits.

8.3 Set PWM clock

PWM clock derives from system clock. Register PWM_CLK (address 0x781) serves to set the frequency dividing factor for PWM clock. Formula below applies:

$$F_{\text{PWM}} = F_{\text{System clock}} / (\text{PWM_CLK} + 1)$$

8.4 PWM waveform, polarity and output inversion

Each PWM channel has independent counter and 3 status including “Delay”, “Count” and “Remaining”. Count and Remaining status form a signal frame.

8.4.1 PWM waveform

When PWM#n is enabled, PWM#n enters Delay status. By default PWM#n outputs Low level at Delay status. The Delay status duration, i.e. Phase time, is

configured in register PWM_PHASE#n (address 0x788~0x793). Phase difference between PWM channels is allowed by different phase time configuration.

After Phase time expires, PWM#n exits Delay status and starts to send signal frames. First PWM#n is at Count status and outputs High level signal by default. When PWM#n counter reaches cycles set in register PWM_TCMP#n (address 0x794~0x795, 0x798~0x799, 0x79c~0x79d, 0x7a0~0x7a1, 0x7a4~0x7a5, 0x7a8~0x7a9), PWM#n enters Remaining status and outputs Low level till PWM#n cycle time configured in register PWM_TMAX#n (address 0x796~0x797, 0x79a~0x79b, 0x79e~0x79f, 0x7a2~0x7a3, 0x7a6~0x7a7, 0x7aa~0x7ab) expires.

An interruption will be generated at the end of each signal frame if enabled via register PWM_MASK (address 0x7b0[2:7]).

8.4.2 Invert PWM output

PWM#n and PWM#n_N output could be inverted independently via register PWM_CC0 (address 0x783) and PWM_CC1 (address 0x784). When the inversion bit is enabled, the corresponding PWM channel waveform will be inverted completely.

8.4.3 Polarity for signal frame

By default, PWM#n outputs High level at Count status and Low level at Remaining status. When the corresponding polarity bit is enabled via register PWM_CC2 (address 0x785), PWM#n will output Low level at Count status and High level at Remaining status.

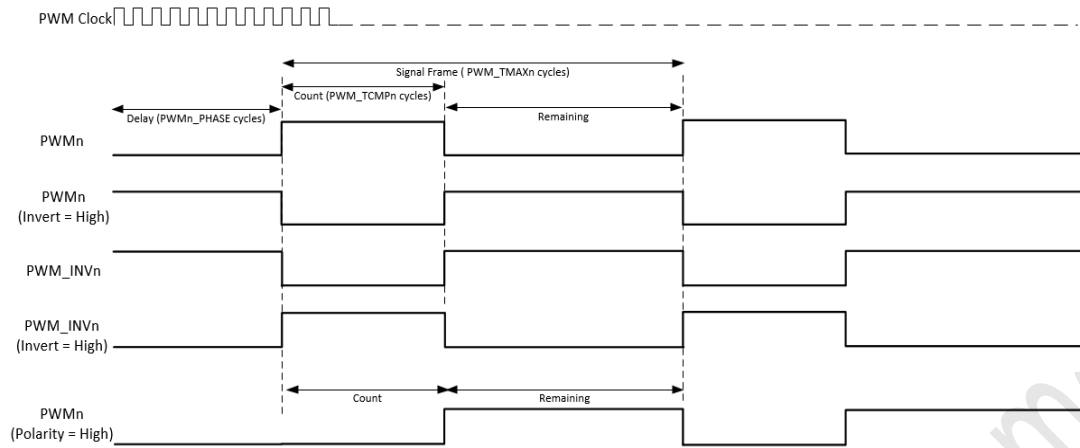


Figure 8- 1 PWM output waveform chart

8.5 PWM mode

8.5.1 Select PWM mode

PWM0 and PWM1 support 3 modes, including Continuous (normal) mode, Counting mode, and IR mode. PWM2~PWM5 only support Continuous mode.

Register PWM_MODE (address 0x782) serves to select PWM0/PWM1 mode.

8.5.2 Continuous mode

PWM0~PWM5 all support Continuous mode. In this mode, PWM#n continuously sends out signal frames. PWM#n should be disabled via address 0x780 to stop it; when stopped, the PWM output will turn low immediately.

During Continuous mode, waveform could be changed freely. New configuration for PWM_TCMpn and PWM_TMAX#n will take effect in the next signal frame.

A frame interruption will be generated (if enabled) after each signal frame is finished.

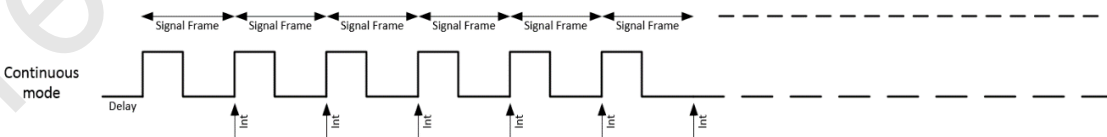


Figure 8-2 Continuous mode

8.5.3 Counting mode

Only PWM0 and PWM1 support Counting mode. In this mode, PWM#n (n=0,1) sends out specified number of signal frames which is defined as a pulse group. The number is configured via register PWM_PNUM0 (address 0x7ac~0x7ad) and PWM_PNUM1 (address 0x7ae~0x7af). After a pulse group is finished, PWM#n will be disabled automatically, and a Pnum interruption will be generated if enabled via register PWM_MASK (address 0x7b0[0:1]).

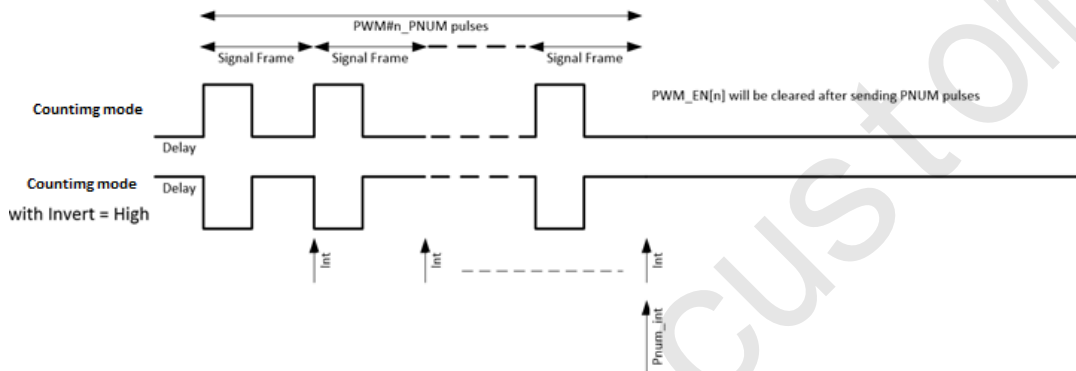


Figure 8-3 Counting mode

Counting mode also serves to stop IR mode gracefully. Refer to **section 8.5.4** for details.

8.5.4 IR mode

Only PWM0 and PWM1 support IR mode. In this mode, specified number of frames is defined as one pulse group. In contrast to Counting mode where PWM#n (n=0,1) stops after first pulse group finishes, PWM#n will constantly send pulse groups in IR mode.

During IR mode, waveform could also be changed freely. New configuration for PWM_TCMP#n and PWM_TMAX#n will take effect in the next pulse group.

To stop IR mode and complete current pulse group, user can switch PWM#n from IR mode to Counting mode so that PWM#n will stop after current pulse group is finished. If PWM#n is disabled directly via PWM_EN (0x780[0:1]), PWM#n output will turn Low immediately despite of current pulse group.

A frame interruption/Pnum interruption will be generated (if enabled) after each signal frame/pulse group is finished.

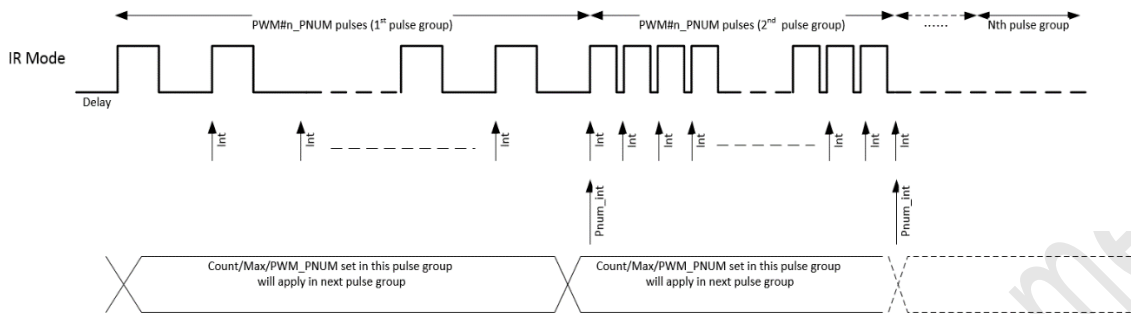


Figure 8-4 IR mode

8.6 PWM interrupt

There are 8 interrupt sources from PWM function. After each signal frame, PWM#n will generate a frame-done IRQ (Interrupt Request) signal. In Counting mode and IR mode, PWM0/PWM1 will generate a Pnum IRQ signal after completing a pulse group. Interrupt status can be cleared via register PWM_INT (address 0x7b1).

9 Keyscan

The TLSR8266/TLSR8266F512/TLSR8266F128/TLSR8266F1K supports hardware Keyscan for power saving and relieves MCU power to handle other tasks instead of keeping scanning IO.

9.1 Register table

Table 9- 1 Register table for Keyscan

Address	Mnemonic	Type	Description	Reset Value
0x800	KS_COL_MSK0	RW	Keyscan column mask for pe[7:0] [7]: DI/I2C_SDA/ANA_E<7> (pe7) [6]: CN/uart_rts/ANA_E<6> (pe6) [5]: GP17/ANA_E<5> (pe5) [4]: GP16/ANA_E<4> (pe4) [3]: GP15/ANA_E<3> (pe3) [2]: ANA_E<2> (pe2) [1]: ANA_E<1> (pe1) [0]: GP14/ANA_E<0> (pe0)	00
0x801	KS_COL_MSK1	RW	Keyscan column mask for pd[7:0] [7]: GP13/ANA_D<7> (pd7) [6]: GP12/ANA_D<6>/Rbias_EXT (pd6) [5]: GP11/ANA_D<5> (pd5) [4]: GP10/ANA_D<4> (pd4) [3]: GP9/PWM4/ANA_D<3> (pd3) [2]: GP8/PWM3/ANA_D<2> (pd2) [1]: GP7/uart_cts/ANA_D<1> (pd1) [0]: GP6/uart_rts/ANA_D<0> (pd0)	00
0x802	KS_COL_MSK2	RW	Keyscan column mask for pc[7:0] [7]: GP5/uart_rx/ANA_C<7> (pc7)	00

Address	Mnemonic	Type	Description	Reset Value
			[6]: GP4/uart_tx/ANA_C<6> (pc6) [5]: GP3/PWM2_N/ANA_C<5> (pc5) [4]: PWM2/ANA_C<4> (pc4) [3]: GP2/PWM1/ANA_C<3> (pc3) [2]: PWM1_N/ANA_C<2> (pc2) [1]: GP1/PWM1_N/ANA_C<1> (pc1) [0]: PWM0/ANA_C<0> (pc0)	
0x803	KS_COL_MSK3	RW	Keyscan column mask for pa[7:0] [7]: SWM/ANA_A<7> (pa7) [6]: GP19/PWM4_N/ANA_A<6> (pa6) [5]: PWM4/ANA_A<5> (pa5) [4]: GP18/PWM3_N/ANA_A<4> (pa4) [3]: reserved [2]: reserved [1]: PWM3/ANA_A<1> (pa1) [0]: reserved	00
0x804	KS_ROW_SEL0	RW	[4:0]: keyscan row select for row0 [7:5]: keyscan row select for row1[2:0]	00
0x805	KS_ROW_SEL1	RW	[1:0]: keyscan row select for row1[4:3] [6:2]: keyscan row select for row2 [7]: keyscan row select for row3[0]	00
0x806	KS_ROW_SEL2	RW	[3:0]: keyscan row select for row3[4:1] [7:4]: keyscan row select for row4[3:0]	00
0x807	KS_ROW_SEL3	RW	[0]: keyscan row select for row4[4] [5:1]: keyscan row select for row5 [7:6]: keyscan row select for row6[1:0]	00
0x808	KS_ROW_SEL4	RW	[2:0]: keyscan row select for row6[4:2]	00

Address	Mnemonic	Type	Description	Reset Value
			[7:3]: keyscan row select for row7	
0x809	KS_END_FLG	RW	Keyscan frame end flag	ff
0x80a	KS_EN	RW	[0]: Keyscan enable 0: Disable, 1: Enable [1]: Keyscan 32kHz clock enable 0: Disable, 1: Enable [2]: Keyscan interrupt enable 0: Disable interrupt signal to IRQ 1: Enable interrupt signal to IRQ [3]: Keyscan (column) input invert 0: positive edge trigger 1: Inverted as the negative edge trigger [4]: Keyscan output invert 0: Scan line IO (Row) output "High" 1: Scan line IO (Row) output "Low" [5]: Keyscan scan mode select, 1'b0 for mode 0, 1'b1 for mode 1 Mode 0: Normal mode. Enter idle after scan is done Mode 1: Debug mode. Scan all the time [6]: Keyscan manually reset 1: Reset [7]: Reserved	07
0x80b	KS_FRM_NUM	RW	[4:0]: Keyscan empty frame counter number Keyscan module will enter idle mode after "KS_FRM_NUM" frames with no key input counted [7:5]: Reserved	01
0x80c	KS_IRQ	RW	[0]: Keyscan interrupt Interrupt indicator: Read as "1" indicates interrupt occurs Write "1" to clear this interrupt indicator	

Address	Mnemonic	Type	Description	Reset Value
			[7:6]: Reserved	
0x80d	KS_RPTR	R	[3:0]: Keyscan latched write pointer when frame end Latched write pointer with last frame end flag [7:4]: Keyscan read pointer for key buffer	
0x80e	KS_WPTR	R	[3:0]: Keyscan write pointer for key buffer Write pointer keeps going while keys are scanned [4]: Keyscan no key detect when in SCAN state (Reserved, Internal status machine control only) Indicator of no key detected after a scan ends [5]: Keyscan key detect when in IDLE state (Reserved, Internal status machine control only) [6]: Keyscan internal counter128 count enable (Reserved, Internal status machine control only) [7]: Keyscan state, 1'b0 for IDLE, 1'b1 for SCAN	
0x80f	KS_GATED	R	[2:0]: Keyscan counter128[6:4] (Reserved, Internal status machine control only) [3]: Reserved [4]: Keyscan 32kHz clock gated clear (Reserved, Internal status machine control only) [5]: Keyscan 32kHz clock gated (Reserved, Internal status machine control only)	

Address	Mnemonic	Type	Description	Reset Value
			[6]: Keyscan internal counter16 count enable (Reserved, Internal status machine control only) [7]: Reserved	
0x810	KS_KEY		Keyscan key value This is a 16Byte FIFO buffer	
0x811	KS_LPTR		[4:0]: Keyscan loop pointer (Reserved, Internal status machine control only) Internal Column scanning loop indicator [7:5]: Reserved	
0x812	KS_CNT128		[6:0]: Keyscan counter128 count value Internal counter (Reserved) [7]: Reserved	
0x813	KS_CNT16		[3:0]: Keyscan counter16 count value Internal counter (Reserved) [6:4]: Keyscan latched row number (Reserved, Internal status machine control only) [7]: Reserved	

9.2 Keyscan enable

Address 0x80a[0] should be set to 1b'1 to enable Keyscan module.

Keyscan module is using 32kHz clock, which could be enabled by setting address 0x80a[1] to 1b'1.

To enable Keyscan interrupt, both 0x80a[2] and corresponding keyscan interrupt mask bit should be set to 1b'1.

9.3 Keyscan IO configuration

Users must assign IOs for Rows and Columns to use Keyscan Module. There are up to 29 pins which can be configured as either Keyscan Column IOs or Row IOs. Refer to Table 9-1 to find out available pins. Other multiplexing functions with higher priority of these pins must be disabled.

Registers KS_COL_MSK0~KS_COL_MSK3 (address 0x800~0x803) serve to configure IOs for Columns. Mask bits corresponding to IOs needed for Columns should be enabled, while other mask bits should be disabled.

Table 9- 2 IO configuration for Columns

Pin	Column IO configuration	Scanned Column number in FIFO
GP14/ANA_E<0>	KS_COL_MSK0 (0x800)[0]	0
ANA_E<1>	KS_COL_MSK0 (0x800) [1]	1
ANA_E<2>	KS_COL_MSK0 (0x800) [2]	2
GP15/ANA_E<3>	KS_COL_MSK0 (0x800) [3]	3
GP16/ANA_E<4>	KS_COL_MSK0 (0x800) [4]	4
GP17/ANA_E<5>	KS_COL_MSK0 (0x800) [5]	5
CN/uart_rts/ANA_E<6>	KS_COL_MSK0 (0x800) [6]	6
DI/I2C_SDA/ANA_E<7>	KS_COL_MSK0 (0x800) [7]	7
GP6/uart_rts/ANA_D<0>	KS_COL_MSK1 (0x801) [0]	8
GP7/uart_cts/ANA_D<1>	KS_COL_MSK1 (0x801) [1]	9
GP8/PWM3/ANA_D<2>	KS_COL_MSK1 (0x801) [2]	10
GP9/PWM4/ANA_D<3>	KS_COL_MSK1 (0x801) [3]	11
GP10/ANA_D<4>	KS_COL_MSK1 (0x801) [4]	12
GP11/ANA_D<5>	KS_COL_MSK1 (0x801) [5]	13
GP12/ANA_D<6>/Rbias_EXT	KS_COL_MSK1 (0x801) [6]	14
GP13/ANA_D<7>	KS_COL_MSK1 (0x801) [7]	15
PWM0/ANA_C<0>	KS_COL_MSK2 (0x802) [0]	16

Pin	Column IO configuration	Scanned Column number in FIFO
GP1/PWM1_N/ANA_C<1>	KS_COL_MSK2 (0x802) [1]	17
PWM1_N/ANA_C<2>	KS_COL_MSK2 (0x802) [2]	18
GP2/PWM1/ANA_C<3>	KS_COL_MSK2 (0x802) [3]	19
PWM2/ANA_C<4>	KS_COL_MSK2 (0x802) [4]	20
GP3/PWM2_N/ANA_C<5>	KS_COL_MSK2 (0x802) [5]	21
GP4/uart_tx/ANA_C<6>	KS_COL_MSK2 (0x802) [6]	22
GP5/uart_rx/ANA_C<7>	KS_COL_MSK2 (0x802) [7]	23
	KS_COL_MSK3 (0x803) [0]	24
PWM3/ANA_A<1>	KS_COL_MSK3 (0x803) [1]	25
	KS_COL_MSK3 (0x803) [2]	26
	KS_COL_MSK3 (0x803) [3]	27
GP18/PWM3_N/ANA_A<4>	KS_COL_MSK3 (0x803) [4]	28
PWM4/ANA_A<5>	KS_COL_MSK3 (0x803) [5]	29
GP19/PWM4_N/ANA_A<6>	KS_COL_MSK3 (0x803) [6]	30
SWM/ANA_A<7>	KS_COL_MSK3 (0x803) [7]	31

Registers KS_ROW_SEL0~KS_ROW_SEL4 (address 0x804~0x808) serve to configure IOs for 8 Keyscan rows.

Table 9- 3 IO configuration for Rows

Row number	Keyscan Module configuration	IO Ports assignment
0	KS_ROW_SEL0 (0x804)[4:0]	0: GP14/ANA_E<0>
1	KS_ROW_SEL1 (0x805) [1:0]	...
	KS_ROW_SEL0 (0x804) [7:5]	7: DI/I2C_SDA/ANA_E<7>
2	KS_ROW_SEL1 (0x805) [6:2]	8: GP6/uart_rts/ANA_D<0>
3	KS_ROW_SEL2 (0x806) [3:0]	...
	KS_ROW_SEL1 (0x805) [7]	15: GP13/ANA_D<7>
4	KS_ROW_SEL3 (0x807) [0]	16: PWM0/ANA_C<0>
	KS_ROW_SEL2 (0x806) [7:4]	...
5	KS_ROW_SEL3 (0x807) [5:1]	23: GP5/uart_rx/ANA_C<7>
6	KS_ROW_SEL4 (0x808) [2:0]	24: rsvd
	KS_ROW_SEL3 (0x807) [7:6]	25: PWM3/ANA_A<1>
7	KS_ROW_SEL4 (0x808) [7:3]	...
		31: SWM/ANA_A<7>

9.4 Keyscan flow and frame

By default Keyscan module is in idle status with clock gated to save power. Once Keyscan module is triggered by positive/negative edges, which could be configured by address 0x80a[3], Keyscan module enters scan mode and clock is ungated. Keyscan module starts to scan Rows and Columns frame by frame. After completion of each non-empty (with key press scanned) and empty frame (with no key press scanned) in scan mode, interrupt request signal is asserted and address 0x80c[0] will be raised to high.

Keyscan module will enter idle mode from scan mode after specified number of empty frames. The number can be set in KS_FRM_NUM (address 0x80b) and it is recommended to be larger than 2. Keyscan module will enter scan mode if triggered again. Keyscan module keeps working until enabling bit (address 0x80a[0]) is disabled, which could only be cleared manually.

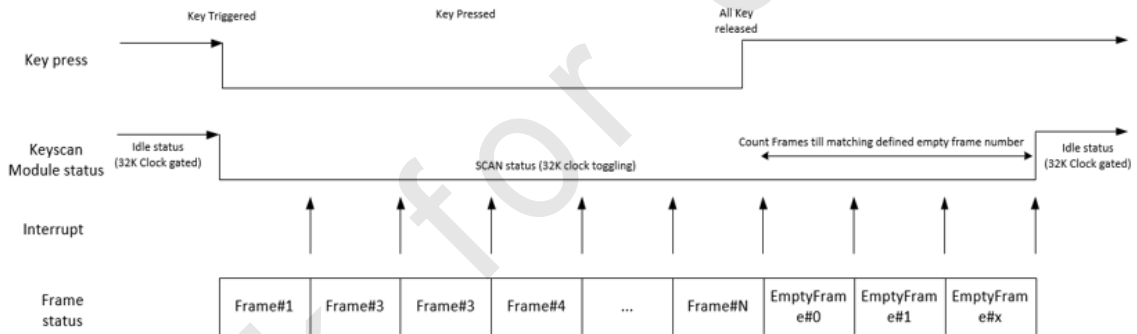


Figure 9- 1 Keyscan flow and frame

In each frame, Keyscan module scans row-by-row. Each Row scan takes 16 cycles. Each frame takes 128 (8*16) cycles. With 32kHz clock, each frame takes around 4ms. Scanned key matrix is stored in KS_KEY FIFO buffer.

Keyscan Module Scanning Sequence in a Frame
 Each cycles = 1 / 32K sec, 4ms per frame

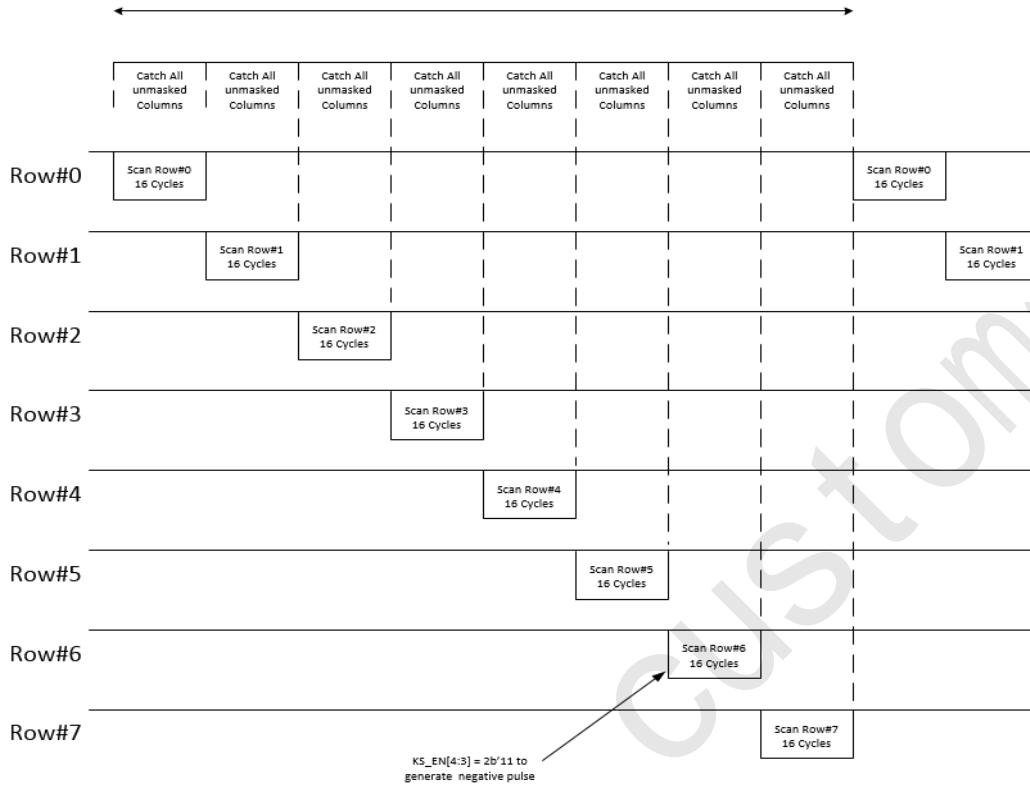


Figure 9- 2 Keyscan Module Scanning sequence in a frame

9.5 Keyscan FIFO buffer

KS_KEY (address 0x810) is a 16bytes FIFO ring buffer. The higher 3 bits of each byte indicate Row number and lower 5 bits indicates Column number. End flag, which could be assigned in KS_END_FLG (address 0x809), will be inserted into buffer once each frame completes even if there is no key scanned. KS_WPTR (address 0x80e) keeps rolling while scanning is ongoing. To fetch stored key matrix, user could read data between read pointer (KS_RPTR 0x80d[7:4]) and latched write pointer (KS_RPTR 0x80d [3:0]). Latched writer pointer updates after each frame completes.

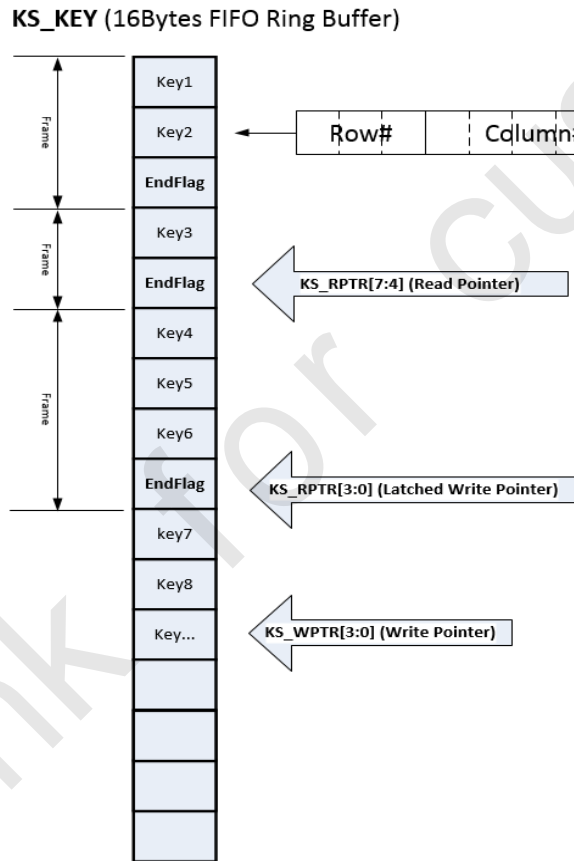


Figure 9- 3 Keyscan FIFO buffer

10 Quadrature Decoder

The TLSR8266/TLSR8266F512/TLSR8266F128/TLSR8266F1K supports three quadrature decoders (QDEC) which are designed mainly for applications such as wheel. Each QDEC implements debounce function to filter out jitter on the two phase inputs, and generates smooth square waves for the two phase.

QDEC0~ QDEC2 correspond to channels 0~2 respectively. In this section, QDEC0 corresponding to channel 0 is introduced in detail as an example.

10.1 Input pin selection

The QDEC0 supports two phase input; each input is selectable from the 32 pins of PortE, PortD, PortC and PortA via setting address 0xd4[4:0] (for channel a)/0xd5[4:0] (for channel b).

Table 10- 1 Input pin selection

Address 0xd4[4:0]	Pin
0	ANA_E<0>
1	ANA_E<1>
2	ANA_E<2>
3	ANA_E<3>
4	ANA_E<4>
5	ANA_E<5>
6	ANA_E<6>
7	ANA_E<7>
8	ANA_D<0>
9	ANA_D<1>
10	ANA_D<2>
11	ANA_D<3>
12	ANA_D<4>
13	ANA_D<5>
14	ANA_D<6>
15	ANA_D<7>
16	ANA_C<0>
17	ANA_C<1>
18	ANA_C<2>
19	ANA_C<3>
20	ANA_C<4>

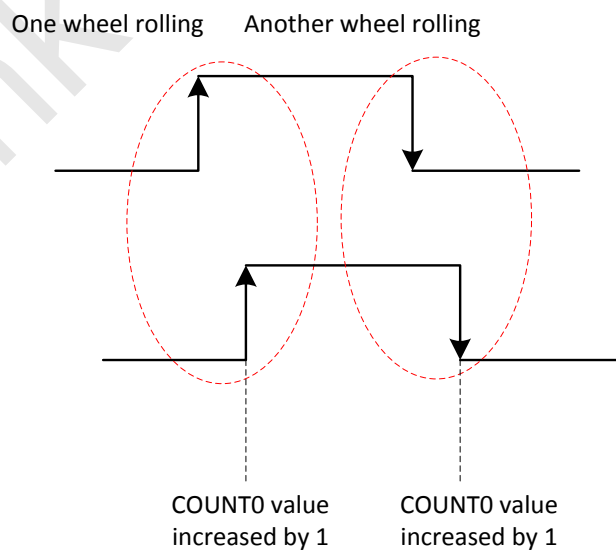
Address 0xd4[4:0]	Pin
21	ANA_C<5>
22	ANA_C<6>
23	ANA_C<7>
24	ANA_A<0>
25	ANA_A<1>
26	ANA_A<2>
27	ANA_A<3>
28	ANA_A<4>
29	ANA_A<5>
30	ANA_A<6>
31	ANA_A<7>

10.2 Common mode and double accuracy mode

Address 0xdd serves to select common mode or double accuracy mode.

For each wheel rolling step, two pulse edges (rising edge or falling edge) are generated.

If address 0xdd[0] is cleared to select common mode, the COUNT0 (i.e. counter of QDEC0) value is increased/decreased by 1 only when the same rising/falling edges are detected from the two phase signals. COUNT0 value is cleared once read from address 0xd0.



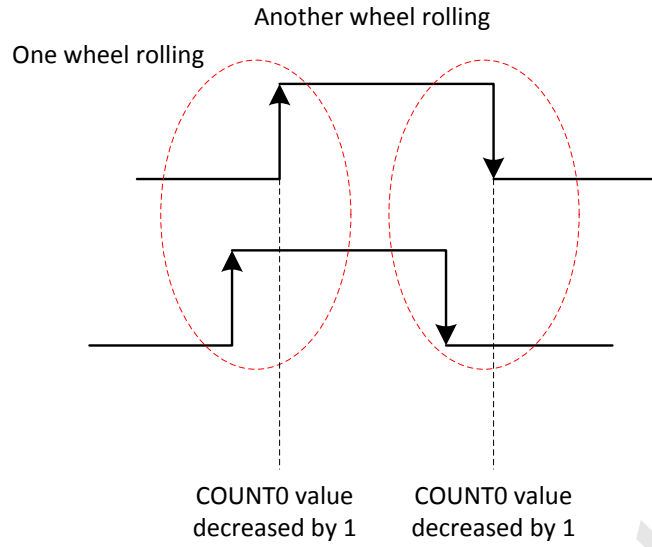
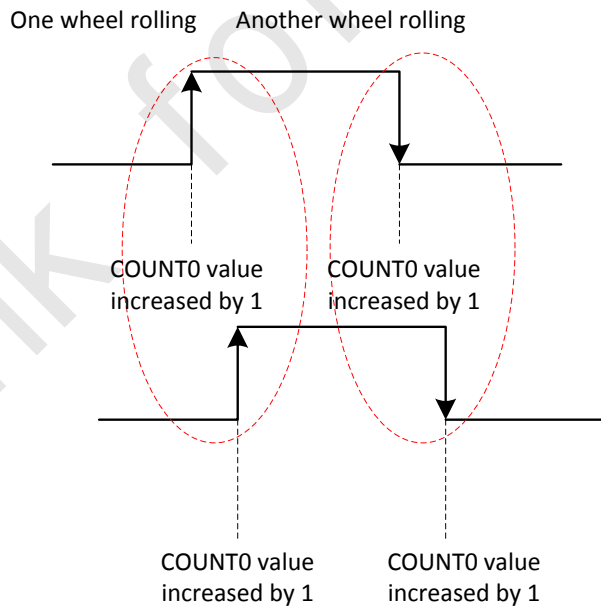


Figure 10- 1 Common mode

If address 0xdd[0] is set to 1b'1 to select double accuracy mode, the COUNT0 (i.e. counter of QDEC0) value is increased/decreased by 1 on each rising/falling edge of the two phase signals; the COUNT0 will be increased/decreased by 2 for one wheel rolling.



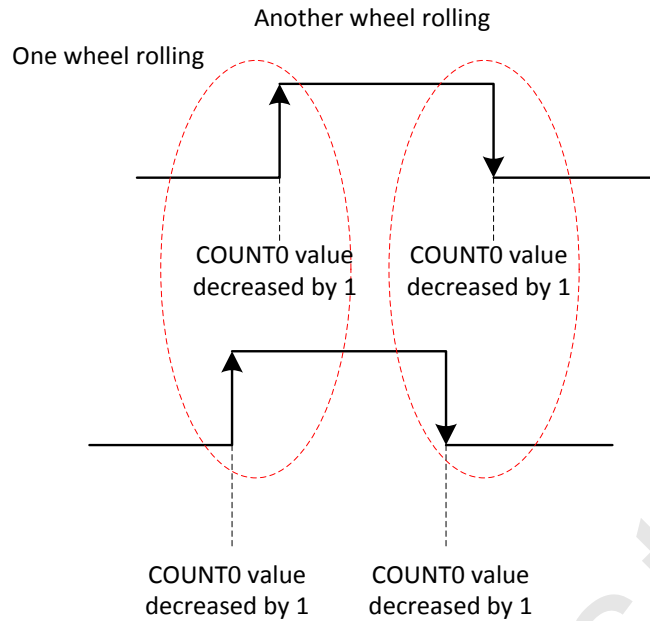


Figure 10- 2 Double accuracy mode

10.3 QDEC interrupt

Address $0xda[0]$ serves to enable or mask QDEC interrupt.

If address $0xda[0]$ is set to $1b'1$ to enable QDEC interrupt, whenever counter value changes, an QDEC IRQ is asserted and address $0xdb[0]$ is set to $1b'1$ automatically. Writing $1b'1$ to address $0xdb[0]$ can clear the interrupt flag bit.

10.4 QDEC reset

Address $0xdc[0]$ serves to reset the QDECs. All counter values are cleared to zero.

10.5 Other configuration

The QDEC supports hardware debouncing. Address $0xd3[3:0]$ serves to set filtering window duration. All jitter with period less than the value will be filtered out and thus does not trigger count change.

Address $0xd3[4]$ serves to set input signal initial polarity.

Address 0xd3[7:5] serves to enable shuttle mode. Shuttle mode allows non-overlapping two phase signals as shown in the following figure.

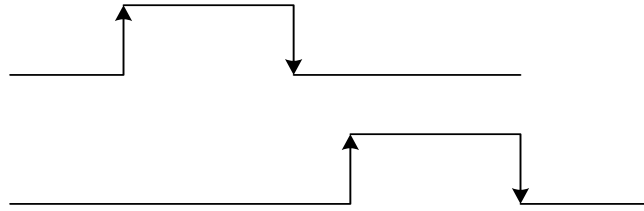


Figure 10- 3 Shuttle mode

10.6 Register table

Table 10- 2 Register table for QDEC

Address	Mnemonic	Type	Description	Reset value
0xd0	QDEC_COUNT0	R	QDEC0 Counter value (read to clear): Channel 0 Pulse edge number	
0xd1	QDEC_COUNT1	R	QDEC1 Counter value (read to clear): Channel 1 Pulse edge number	
0xd2	QDEC_COUNT2	R	QDEC2 Counter value (read to clear): Channel 2 Pulse edge number	
0xd3	QDEC_CC	R/W	[3:0] : filter time (can filter $2^n * sclk * 2$ width de glitch) [4]: pola, input signal pola 0: no signal is low, 1: no signal is high [7:5]:shuttle mode 1 to enable shuttle mode	
0xd4	QDEC_CHNA0	R/W	[4:0] QDEC0 input pin select for channel a choose 1 of 32 pins for input channel a	0x00
0xd5	QDEC_CHNB0	R/W	[4:0] QDEC0 input pin select for channel b choose 1 of 32 pins for input channel b	0x01
0xd6	QDEC_CHNA1	R/W	[4:0] QDEC1 input pin select for channel a choose 1 of 32 pins for input channel a	0x00
0xd7	QDEC_CHNB1	R/W	[4:0] QDEC1 input pin select for channel b choose 1 of 32 pins for input channel b	0x01
0xd8	QDEC_CHNA2	R/W	[4:0] QDEC2 input pin select for channel a choose 1 of 32 pins for input channel a	0x00
0xd9	QDEC_CHNB2	R/W	[4:0] QDEC2 input pin select for channel b choose 1 of 32 pins for input channel b	0x01

Address	Mnemonic	Type	Description	Reset value
0xda	QDEC_MASK	R/W	[0]Interrupt mask 1: enable 0: mask	0x00
0xdb	QDEC_INT	R	[0]Interrupt flag Write 1 to clear	
0xdc	QDEC_RST	R/W	[0]Write 1 to reset QDEC	0x0
0xdd	QDEC_DOUBLE	R/W	Enable double accuracy mode	0x0

11 ADC

The TLSR8266/TLSR8266F512/TLSR8266F128/TLSR8266F1K integrates one ADC module, which can be used to sample battery voltage, temperature sensor and external analog input.

11.1 ADC clock

ADC clock derives from FHS. Please refer to **section 4.4.1** for ADC clock configuration.

Note: ADC clock must be lower than 5M when ADC reference voltage is selected as AVDD and must be lower than 4M when ADC reference voltage is selected as 1.4V.

11.2 Set period

In general, the ADC Control Module in Telink MCU divides the whole sampling and conversion process into three parts via time-division: Misc corresponding to auto channel 0, L (Left) corresponding to auto channel 1, and R (Right) corresponding to auto channel 2.

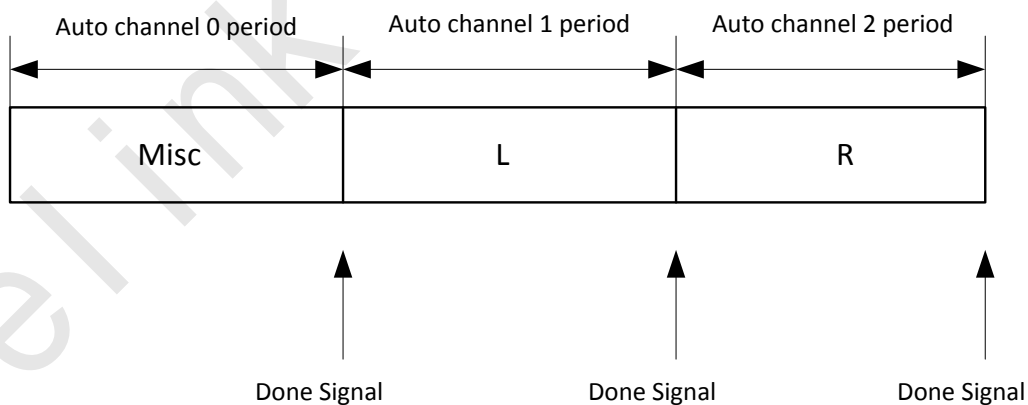


Figure 11- 1 Sampling and analog-to-digital conversion process

In TLSR8266/TLSR8266F512/TLSR8266F128/TLSR8266F1K, only Misc channel is supported.

Addresses 0x30 and 0x31 serve to set lower byte and higher byte of the period (Sampling time plus converting time) for Misc:

Period of Misc = {ADCMAXMH, ADCMAXML} * system clock period.

Since the TLSR8266/TLSR8266F512/TLSR8266F128/TLSR8266F1K doesn't support audio input, address 0x33[5:4] shall always be set as 2b'00 to skip the period for L (Left) and R (Right) channel, i.e., Auto channel 1&2.

11.3 Select ADC input range

Address 0x2b[1:0] serves to set reference voltage for Misc: 1.4V or AVDD.

ADC maximum input range is the same as the ADC reference voltage.

11.4 Select resolution and sampling time

Address 0x3c[5:3] serves to set resolution for Misc: 7, 9, 10, 11, 12, 13, 14bits. ADC data format is always 14bit no matter the conversion bit is set. For example, 12 bits resolution indicates higher 12 bits are valid bits and the lower 2 bits are invalid bits.

Address 0x3c[2:0] serves to set sampling time for Misc: 3, 6, 9, 12, 18, 24, 48 or 144 * ADC clock period. The lower sampling cycle, the shorter ADC convert time.

11.5 Select input mode and channel

The ADC supports two input modes and up to 12 input channels.

Address 0x2c serves to select input mode and channel for Misc.

Address 0x2c[6:5] serves to select differential mode or single-end input mode for Misc.

When address 0x2c[6:5] is set as 2b'00 to select single-end mode, 0x2c[4:0] serves to select input channel.

When address 0x2c[6:5] is set as 2b'01/10/11, differential input mode is selected, the corresponding channel identified by address 0x2c[6:5] is selected as negative

input, and the positive input is selectable via address 0x2c[4:0]. For example, if address 0x2c is set as 0x21 (i.e. 8b'00100001), ANA_D<0> and ANA_D<5> are selected as positive-end and negative-end input of differential mode; actual input signal for ADC is the difference of $V_{ANA_D<0>}$ and $V_{ANA_D<5>}$ (i.e. $V_{ANA_D<0>} - V_{ANA_D<5>}$).

11.6 Enable auto mode and output

Address 0x33[3] serves to enable Misc auto sampling and conversion mode. If address 0x33 is set as "0x10" (i.e. 8b'00010000) to select manual mode, one operation of writing address 0x35 with data "0x80" manually starts a sampling and conversion process.

Address 0x33[2] should be set as 1b'0 to disable ADC audio output, and 0x33[5:4] should be set as 2b'00 to select "no audio".

Address 0x2c[7] serves to set data format during Misc period. Real time output data can be read from addresses 0x38~0x39.

11.7 ADC done signal

ADC done signal is selectable via address 0x33[7:6]. Generally 0x33[7:6] is set to "2b'01" (or 2b'11) to select "rising" method, which means a rising edge of "ADC Valid" signal indicates one analog-to-digital conversion process is done.

11.8 ADC status

ADC busy flag bit, i.e. address 0x3a[0], indicates whether ADC is busy.

11.9 Register table

Table 11- 1 Register table related to SAR ADC

Address	Mnemonic	R/W	Description	Default value
0x2b	ADCREP	RW	SAR ADC reference voltage selection [1:0]: Misc [3:2]: L 00: 1.4V 01: AVDD	0x0b
0x2c	ADCMUXM	RW	[4:0]: Analog input selection bit for Misc 00000: no input 00001: D[0] 00010: D[1] 00011: D[2] 00100: D[3] 00101: D[4] 00110: D[5] 00111: C[2] 01000: C[3] 01001: C[4] 01010: C[5] 01011: C[6] 01100: C[7] 01101: PGA right channel 01110: PGA left channel 01111: temp sensor positive 10000: temp sensor negative 10001: VBUS detect 10010: ground others: reserved [6:5]: Differential analog input selection bits for Misc 00: single-end 01: D[5] as inverting input 10: C[3] as inverting input 11: PGA left channel as inverting input [7]: data format setting during Misc period 0: unsigned 1: bit<14> is inverted	0x02
0x2d	ADCMUXL	RW	[4:0]: Analog input selection bit for L [6:5]: Differential analog input selection	0x00

Address	Mnemonic	R/W	Description	Default value
			bits for L [7]: data format setting during L period Refer to 0x2c	
0x2e	ADCMUXR	RW	Reserved	0x01
0x2f	ADCRES	RW	[2:0]: SAR ADC resolution selection for L	0x01
0x30	ADCMAXML	RW	ADC auto channel 0 (Misc) period low byte	0xe0
0x31	ADCMAXMH	RW	ADC auto channel 0 (Misc) period high byte Period = { ADCMAXMH, ADCMAXML} system clocks	0x00
0x32	ADCMAXLR	RW	ADC auto channel 1 (L)& 2 period Period = ADCMAXLR * 16 system clocks	0x06
0x33	ADCCTRL	RW	[0]: enable auto channel 1 (L) [2]: enable audio ADC output [3]: enable auto channel 0 (Misc) [5:4]: audio ADC mode 00: no audio; 01: mono; others: reserved [7:6]: ADC done signal select 01,11: rising; 10: falling	0x27
0x38	ADCOUTPUT0	R	ADC data lower bits	
0x39	ADCOUTPUT1	R	ADC data higher bits	
0x3a	ADCBUSY	R	ADC status [0]: ADC busy flag	
0x3c	ADCMRESSAMP	RW	[5:3]: SAR ADC resolution selection for Misc 000: 7 001: 9 010: 10 011: 11 100: 12 101: 13 110: 14 111: 14 [2:0]: Select number of clock cycles for ADC Misc sampling time 000: 3 cycles 001: 6 cycles 010: 9 cycles 011: 12 cycles	0x00

Address	Mnemonic	R/W	Description	Default value
			100: 18 cycles 101: 24 cycles 110: 48 cycles 111: 144 cycles	
0x3d	ADCLSAMP	RW	[2:0]: Select number of clock cycles for ADC L sampling time	0x00

telink for custom

12 PGA

The TLSR8266/TLSR8266F512/TLSR8266F128/TLSR8266F1K integrates a PGA (Programmable Gain Amplifier) module.

The PGA serves to amplify the input signals from specified pins before ADC sampling.

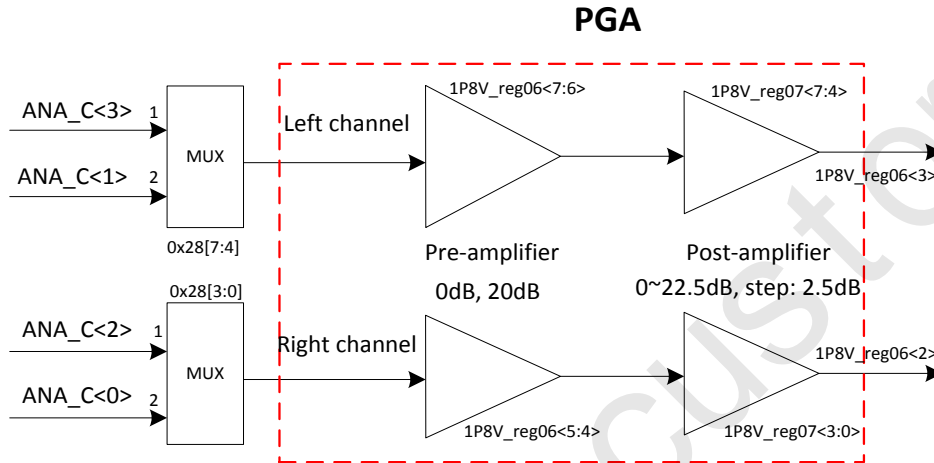


Figure 12- 1 PGA block diagram

12.1 Left/Right channel enabling

The PGA supports two channels including left channel and right channel.

Analog register 1P8V_reg06<1> serves to enable/disable left and right channel of PGA at the same time.

12.2 Input channel selection

Input channel for PGA left channel is selectable via digital register 0x28[7:4]: ANA_C<3>, ANA_C<1>.

Input channel for PGA right channel is selectable via digital register 0x28[3:0]: ANA_C<2>, ANA_C<0>.

12.3 Gain setting

The PGA left/right channel consists of two stages of amplifiers. Each stage has configurable gain. For pre-amplifier, there are two gain options: 0dB, 20dB. For post-amplifier, gain is configurable from 0dB to 22.5dB with step of 2.5dB.

Analog register 1P8V_reg06<7:6> serves to set the gain of pre-amplifier for PGA left channel.

Analog register 1P8V_reg07<7:4> serves to set the gain of post-amplifier for PGA left channel.

Analog register 1P8V_reg06<5:4> serves to set the gain of pre-amplifier for PGA right channel.

Analog register 1P8V_reg07<3:0> serves to set the gain of post-amplifier for PGA right channel.

12.4 PGA output

Analog register 1P8V_reg06<3, 2> serve to enable/disable PGA left/right channel output respectively.

12.5 Register table

Table 12- 1 Analog register table related to PGA

Address	Mnemonic	Default Value	Description
1P8V_reg06<1>	pga_PD_R&L	1	Power down right and left channel PGA 1: Power down 0: Enable Default: 1
1P8V_reg06<2>	pga_MuteR	1	Mute right channel PGA 1: Mute 0: Unmute Default: 1
1P8V_reg06<3>	pga_MuteL	1	Mute left channel PGA 1: Mute

Address	Mnemonic	Default Value	Description												
			0: Unmute Default: 1												
1P8V_reg06<5:4>	pga_gain_pre_R <1:0>	01	PGA right channel pre-amp gain setting <table> <thead> <tr> <th>Setting</th> <th>Gain (dB)</th> </tr> </thead> <tbody> <tr> <td>11</td> <td>N/A</td> </tr> <tr> <td>10</td> <td>20</td> </tr> <tr> <td>01</td> <td>20</td> </tr> <tr> <td>00</td> <td>0</td> </tr> </tbody> </table> Default: 01	Setting	Gain (dB)	11	N/A	10	20	01	20	00	0		
Setting	Gain (dB)														
11	N/A														
10	20														
01	20														
00	0														
1P8V_reg06<7:6>	pga_gain_pre_L <1:0>	01	PGA left channel pre-amp gain setting <table> <thead> <tr> <th>Setting</th> <th>Gain (dB)</th> </tr> </thead> <tbody> <tr> <td>11</td> <td>N/A</td> </tr> <tr> <td>10</td> <td>20</td> </tr> <tr> <td>01</td> <td>20</td> </tr> <tr> <td>00</td> <td>0</td> </tr> </tbody> </table> Default: 01	Setting	Gain (dB)	11	N/A	10	20	01	20	00	0		
Setting	Gain (dB)														
11	N/A														
10	20														
01	20														
00	0														
1P8V_reg07<3:0>	pga_gain_post_R <3:0>	0000	PGA right channel post-amp gain setting <table> <thead> <tr> <th>Setting</th> <th>Gain</th> </tr> </thead> <tbody> <tr> <td>1010 - 1111</td> <td>N/A</td> </tr> <tr> <td>1001</td> <td>22.5dB</td> </tr> <tr> <td>1000</td> <td>20dB</td> </tr> <tr> <td>.....</td> <td></td> </tr> <tr> <td>0000</td> <td>0dB</td> </tr> </tbody> </table> Default: 0000	Setting	Gain	1010 - 1111	N/A	1001	22.5dB	1000	20dB		0000	0dB
Setting	Gain														
1010 - 1111	N/A														
1001	22.5dB														
1000	20dB														
.....															
0000	0dB														
1P8V_reg07<7:4>	pga_gain_post_L <3:0>	0000	PGA left channel post-amp gain setting <table> <thead> <tr> <th>Setting</th> <th>Gain</th> </tr> </thead> <tbody> <tr> <td>1010 - 1111</td> <td>N/A</td> </tr> <tr> <td>1001</td> <td>22.5dB</td> </tr> <tr> <td>1000</td> <td>20dB</td> </tr> <tr> <td>.....</td> <td></td> </tr> <tr> <td>0000</td> <td>0dB</td> </tr> </tbody> </table> Default: 0000	Setting	Gain	1010 - 1111	N/A	1001	22.5dB	1000	20dB		0000	0dB
Setting	Gain														
1010 - 1111	N/A														
1001	22.5dB														
1000	20dB														
.....															
0000	0dB														

Table 12- 2 Digital register related to PGA

Address	Mnemonic	R/W	Description	Default value
0x28	PGASELI	RW	[7:4] PGA left channel vin select Setting Gain (dB) 0 close all 1 C[3] 2 C[1] others N/A [3:0] PGA right channel vin select Setting Gain (dB) 0 close all 1 C[2] 2 C[0] others N/A	0

13 Key Electrical Specifications

13.1 Absolute maximum ratings

Table 13- 1 Absolute Maximum Ratings

Characteristics	Sym.	Min.	Max	Unit	Test Condition
Supply Voltage	V _{Bus}	-0.5	6.5	V	Only VBUS pin is tested, and all VDD pins leave open
	VDD	-0.3	3.9	V	All AVDD and DVDD pin must have the same voltage
Voltage on Input Pin	V _{In}	-0.3	VDD+0.3	V	
Output Voltage	V _{Out}	0	VDD	V	
Storage temperature Range	T _{Str}	-65	150	°C	
Soldering Temperature	T _{Sld}		260	°C	

CAUTION: Stresses above those listed in “Absolute Maximum Ratings” may cause permanent damage to the device. This is a stress only rating and operation of the device at these or any other conditions above those indicated in the operational sections of this specification is not implied.

13.2 Recommended operating condition

Table 13- 2 Recommended operation condition

Item	Sym.	Min	Typ.	Max	Unit	Condition
Chip Power-supply Voltage	VDD	1.9	3.3	3.6	V	With external flash
		2.7	3.3	3.6	V	With internal flash
	V _{Bus}	4.5	5.0	5.5	V	
Supply rise time (from 1.6V to 2.8V)	t _R			0.5	ms	
Operating Temperature Range	T _{OpR}	-40		85	°C	ET versions
		-40		125	°C	AT versions

13.3 DC characteristics

Table 13- 3 DC characteristics

Item	Sym.	Min	Typ.	Max	Unit	Condition
Tx current	I_{Tx}	-	13	-	mA	Continuous Tx transmission, 0dBm output power
		-	19	-	mA	Continuous Tx transmission, maximum output power
Rx current	I_{Rx}	-	13	-	mA	Continuous Rx reception
Suspend Current	I_{Susp}	-	20	-	μ A	IO wakeup
	I_{Susp}	-	22	-	μ A	Timer wakeup
Deep sleep current	I_{Deep}	-	0.7	-	μ A	

*Note: All tests above are done at room temperature ($T=25^{\circ}\text{C}$).

13.4 AC characteristics

Table 13- 4 AC Characteristics

Item	Sym.	Min	Typ.	Max	Unit	Condition
Digital inputs/outputs						
Input high voltage	V_{IH}	0.7VDD		VDD	V	
Input low voltage	V_{IL}	VSS		0.3VDD	V	
Output high voltage	V_{OH}	VDD-0.3		VDD	V	
Output low voltage	V_{OL}	VSS		0.3	V	
USB characteristics						
USB Output Signal Cross-over Voltage	V_{CrS}	1.3	-	2.0	V	

Item	Sym.	Min	Typ.	Max	Unit	Condition
RF performance						
Item		Min	Typ	Max	Unit	
RF_Rx performance						
Sensitivity	1Mbps	-93	-92	-90	dBm	
Frequency Offset Tolerance		-300		+300	kHz	
Co-channel rejection			-7		dB	
In-band blocking rejection	±1 MHz offset		12		dB	
	-2 MHz offset		47		dB	
	+2 MHz offset		40		dB	
	-3 MHz offset		48		dB	
	+3 MHz offset		50		dB	
	>4MHz offset		52		dB	
Image rejection			44		dB	
RF_Tx performance						
Output power		3.8	7	-	dBm	
Modulation 20dB bandwidth			1000		kHz	

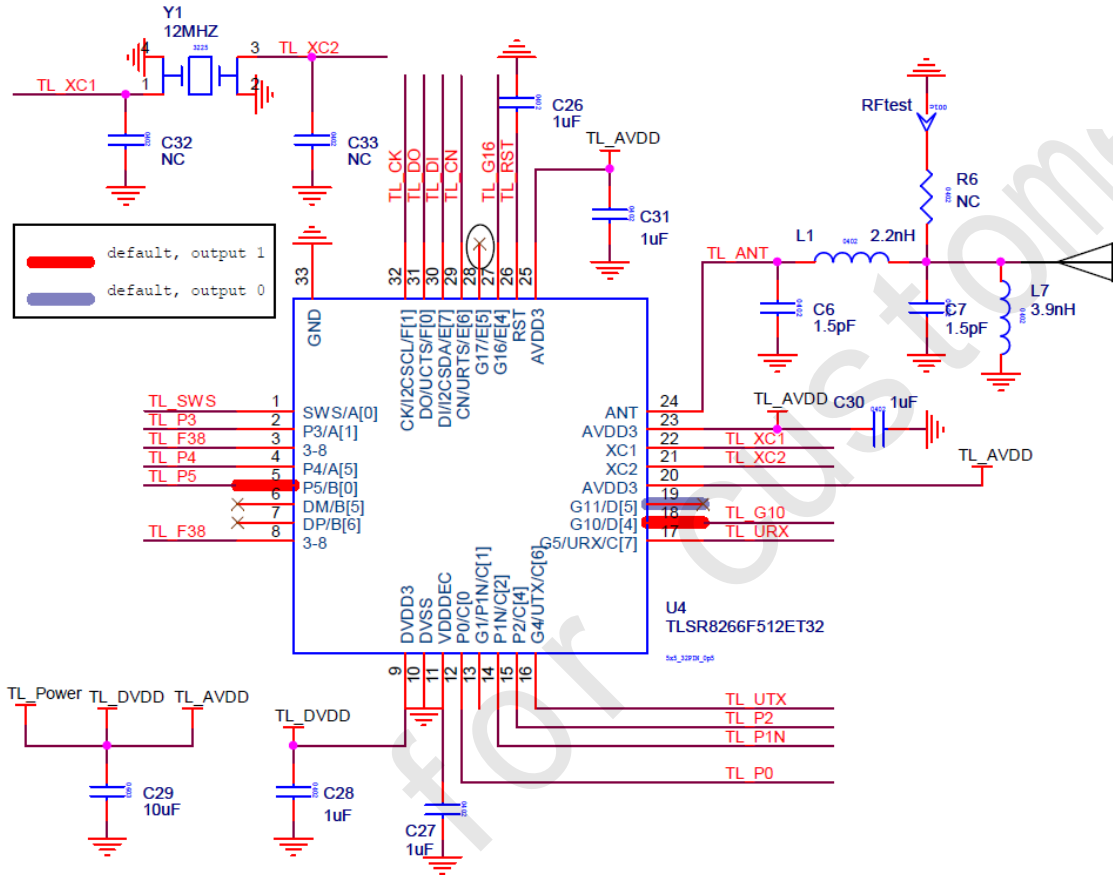
Item	Sym.	Min	Typ.	Max	Unit	Condition
12MHz/16MHz crystal						
Nominal frequency (parallel resonant)	f_{NOM}		12		MHz	
Frequency tolerance	f_{TOL}			±20	Ppm	
Load capacitance	C_L	5	12	18	pF	Programmable on chip load cap
Equivalent series resistance	ESR		50	100	ohm	
32.768kHz crystal						
Nominal frequency (parallel resonant)	f_{NOM}		32.768		kHz	
Frequency tolerance	f_{TOL}			±100	Ppm	
Load capacitance	C_L	6		12.5	pF	Programmable on chip load cap
Equivalent series resistance	ESR		50	80	kohm	
32MHz RC oscillator						
Nominal frequency	f_{NOM}		32		MHz	
Frequency tolerance	f_{TOL}		1		%	On chip calibration
32kHz RC oscillator						
Nominal frequency	f_{NOM}		32		kHz	
Frequency tolerance	f_{TOL}		0.03		%	On chip calibration
Calibration time			3		ms	

Item	Sym.	Min	Typ.	Max	Unit	Condition
ADC						
Differential nonlinearity	DNL		3.3		LSB	
Integral nonlinearity	INL		6.7		LSB	
Signal-to-noise and distortion ratio (fin=1kHz, fS=16kHz)	SINAD		56		dB	
Spurious free dynamic range (fin=1kHz, fS=16kHz)	SFDR		63		dB	
Effective Number of Bits	ENOB		10.5		bits	
Sampling frequency	Fs			250	kHz	AVDD reference
				200	kHz	1.4V reference

14 Applications

14.1 Application example for the TLSR8266F512ET32

14.1.1 Schematic



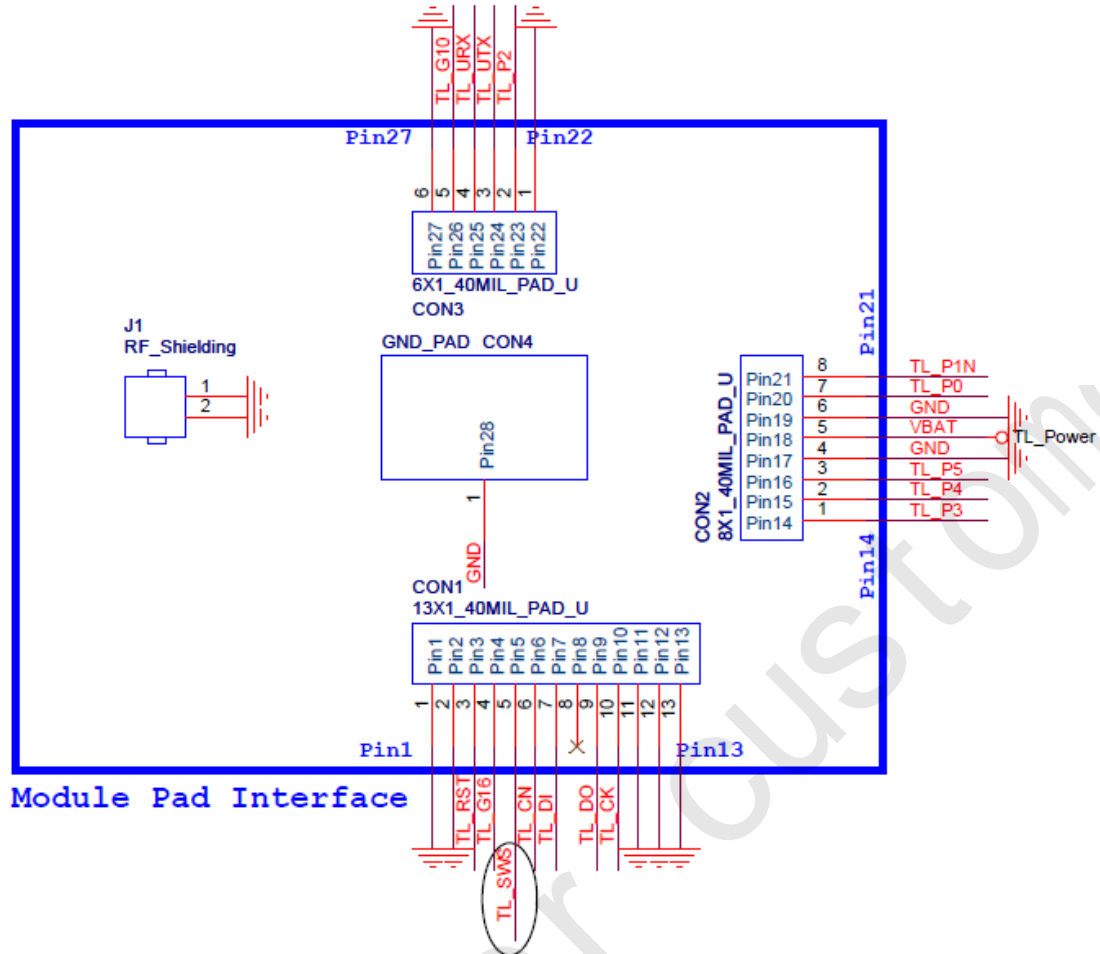


Figure 14- 1Schematic for the TLSR8266F512ET32

14.1.2 Layout

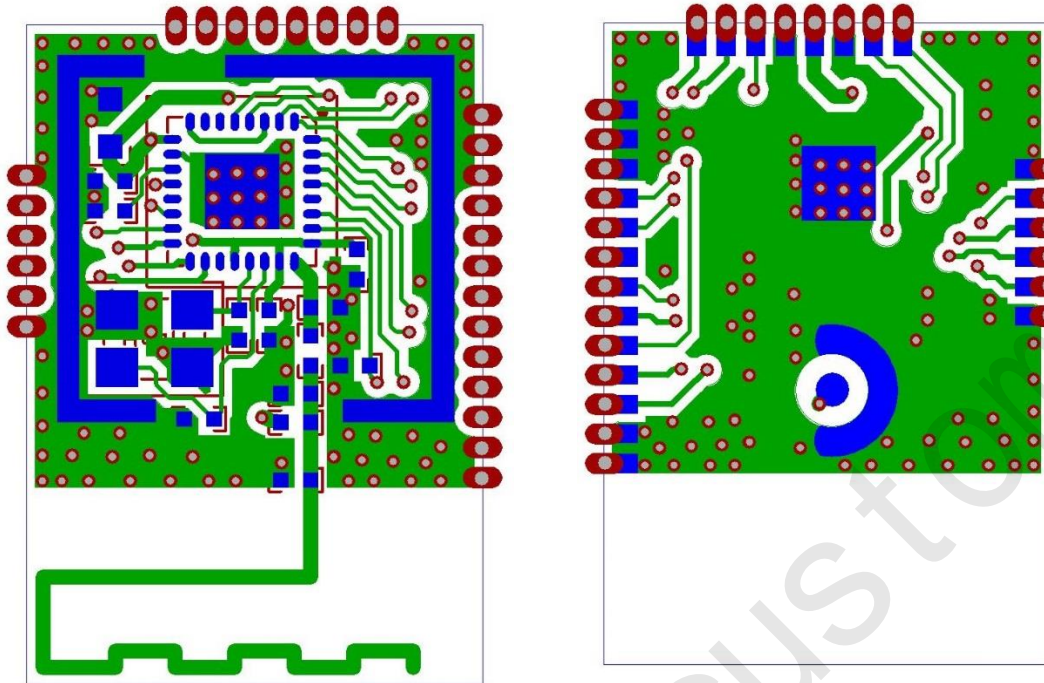


Figure 14-2 Layout for the TLSR8266F512ET32

(Left: Top view; Right: Bottom view)

14.1.3 BOM (Bill of Material)

Table 14- 1 BOM table for the TLSR8266F512ET32

Quantity	Reference	Value
2	C6	1.5pF
	C7	1.5pF
5	C26	1uF
	C27	1uF
	C28	1uF
	C30	1uF
	C31	1uF
1	C29	10uF
1	J1	RF_Shielding
1	L1	2.2nH
1	L7	3.9nH
1	U4	TLSR8266F512ET32
1	Y1	12MHZ - 12pF - +/-20ppm

14.2.2 Layout

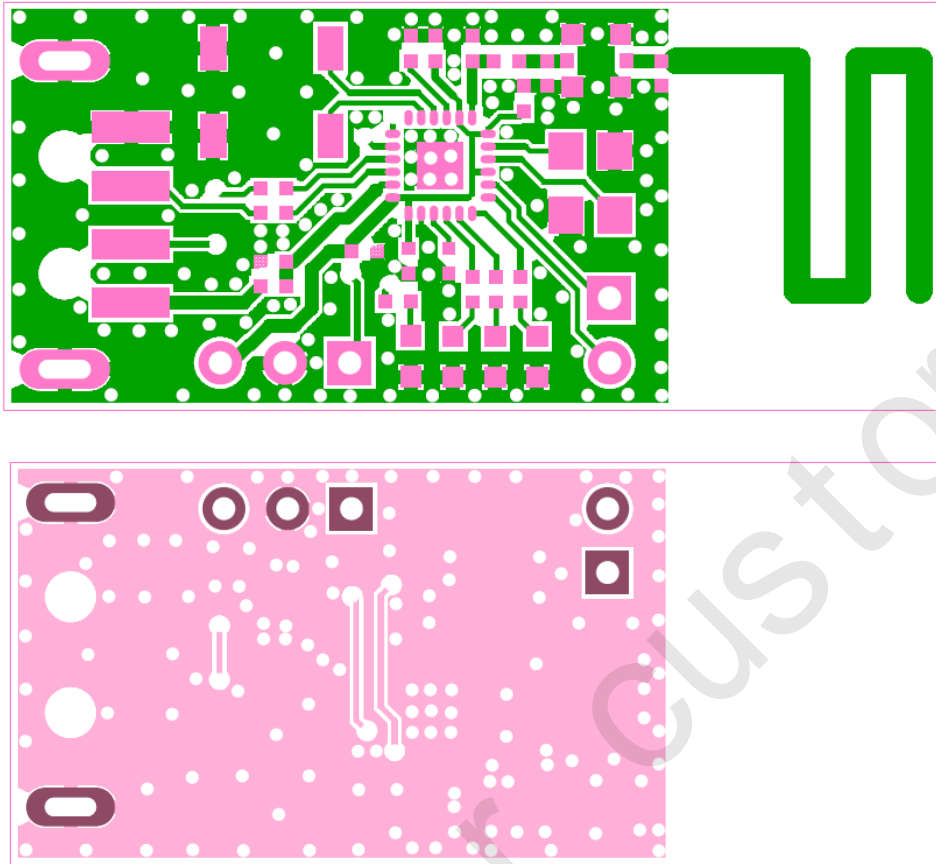


Figure 14-4 Layout for the TLSR8266F128ET24

(Up: Top view; Down: Bottom view)

14.2.3 BOM (Bill of Material)

Table 14- 2 BOM table for the TLSR8266F128ET24

Quantity	Reference	Value
1	C2	1uF
3	C3	0.1uF
	C5	0.1uF
	C6	0.1uF
3	C4	1uF
	C7	1uF
	C8	1uF
1	D1	Green
1	D2	Blue
1	D3	Red
1	D4	White
1	J2	USB_SMT_4PIN
1	J3	MM8130
1	L8	1.5nH
1	L9	2.2nH
2	R2	33
	R3	33
1	R4	10
3	R5	750R
	R7	750R
	R8	750R
1	R6	3.3K
1	SW1	But1
1	SW2	But2
1	U3	TLSR8266F128ET24
1	Y3	12MHZ - 12pF - +/-20ppm